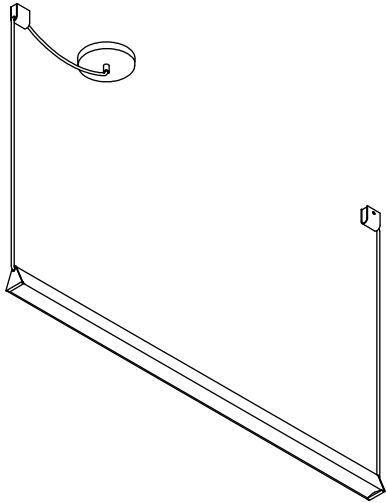




MILE 04

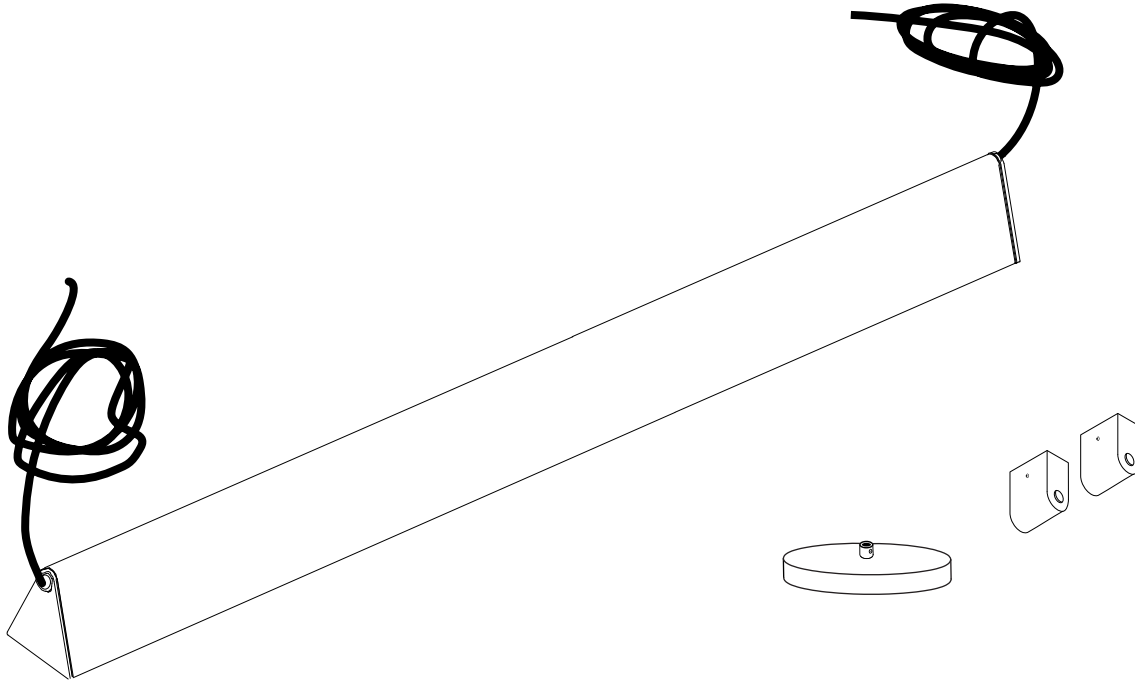
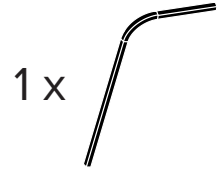




- To be installed by an electrician to an electrical box
- Use appropriate screws and anchors where necessary
- Wear enclosed gloves when handling lamp
- Handle materials with care. Please consult lamp maintenance sheet on our web site
- Should be used exclusively as a lamp and not as a shelving, display or hanging unit

lamp weight 4 lbs.





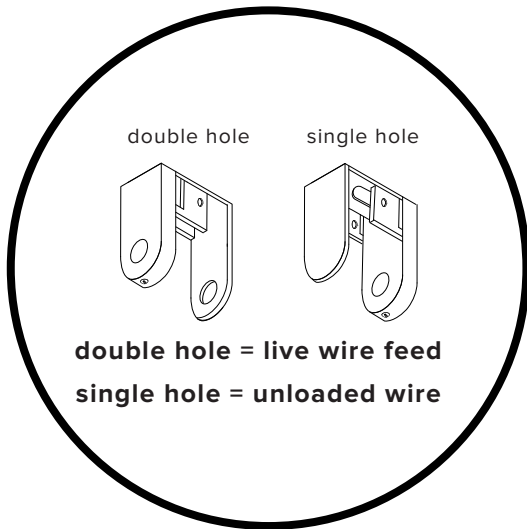
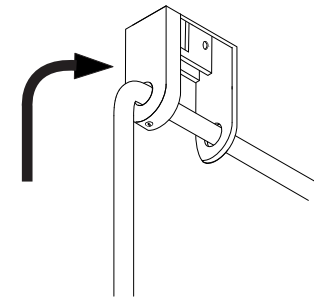
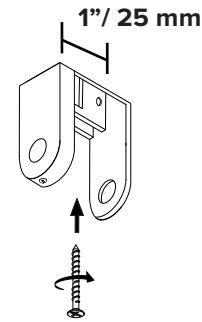
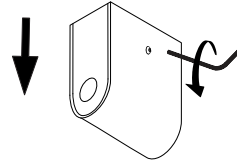
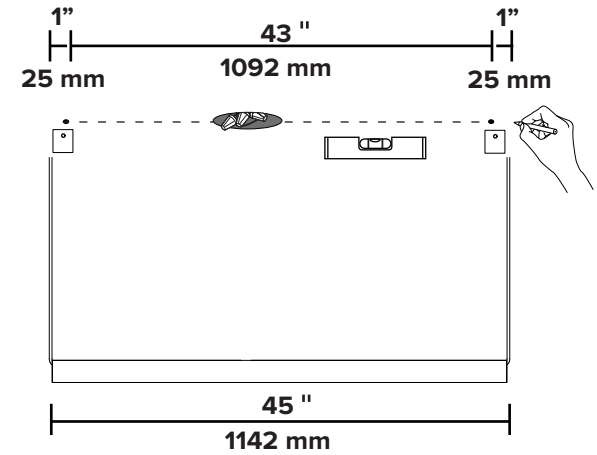
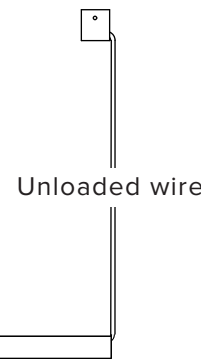
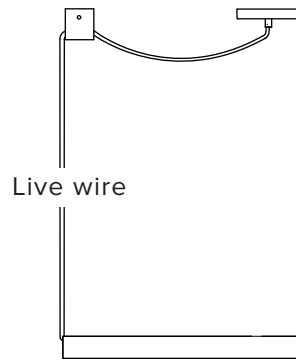
1

Mount live wire feed first.

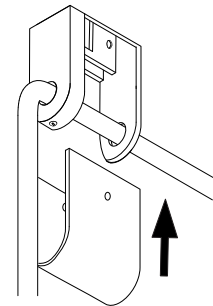
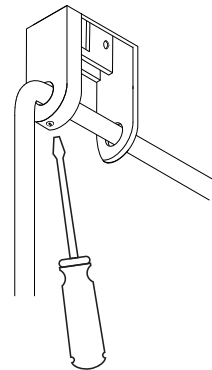
Be sure both ceiling holes are aligned.



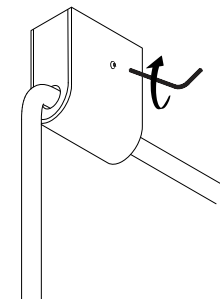
Make sure to use appropriate anchors for ceiling material



* Screw gently, but firmly

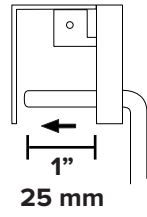


* Screw gently, but firmly



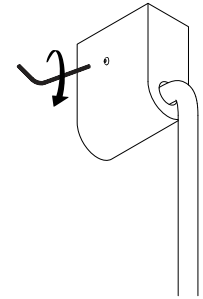
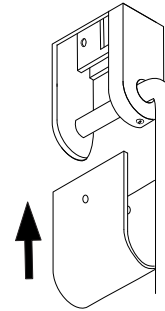
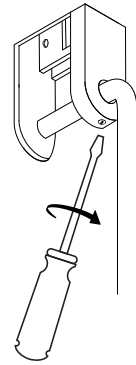
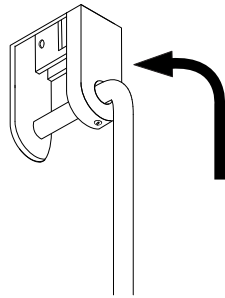
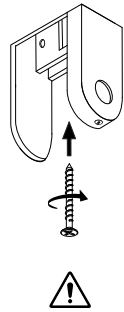
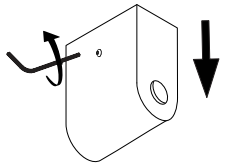
2

Mount unloaded wire after live wire.

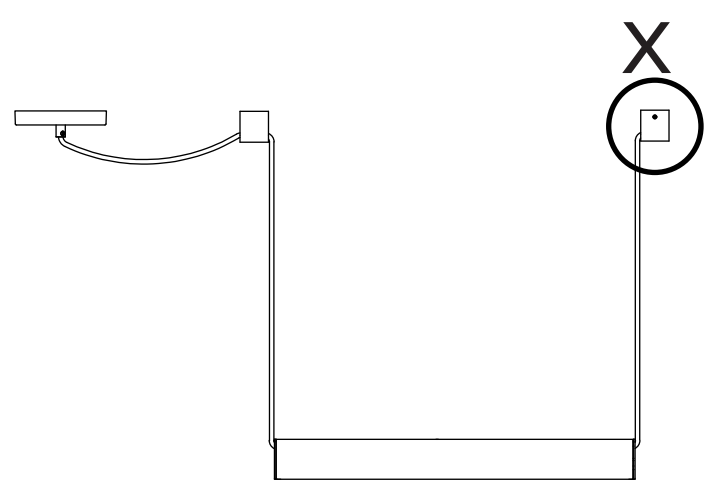
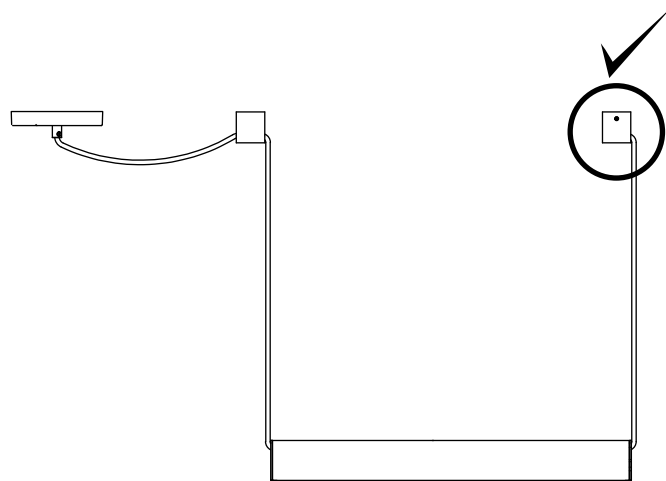
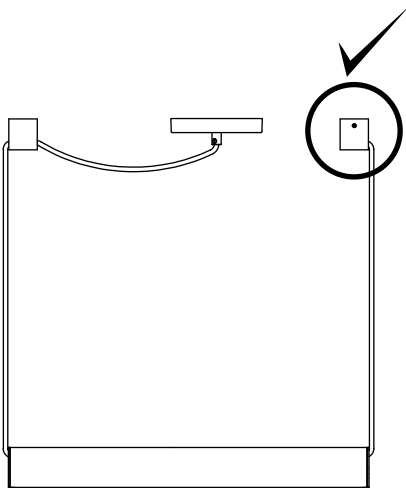


* Screw gently, but firmly

* Screw gently, but firmly

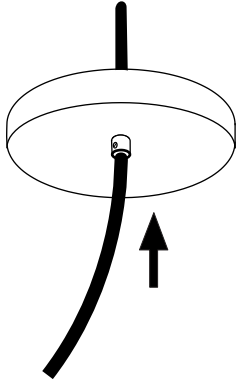


Make sure to use appropriate anchors for ceiling material



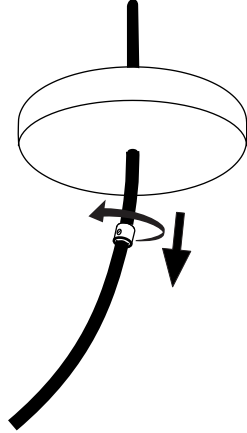
3

Pass wire
through canopy



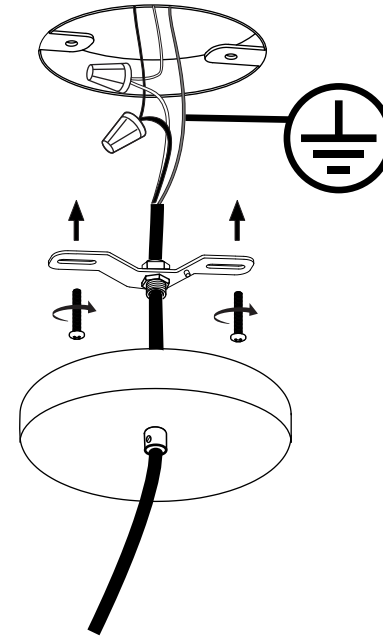
4

Unscrew and lower
canopy strain relief

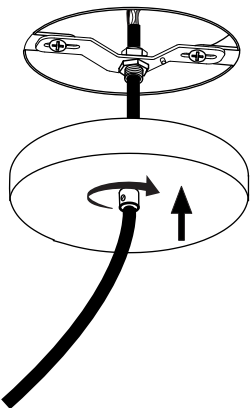


5

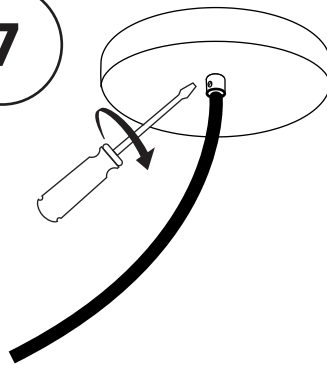
Make connection
(green to green)
(brown to brown)
(blue to blue)



6



7



8

Adjust wire length to assure
your lamp is balanced.

