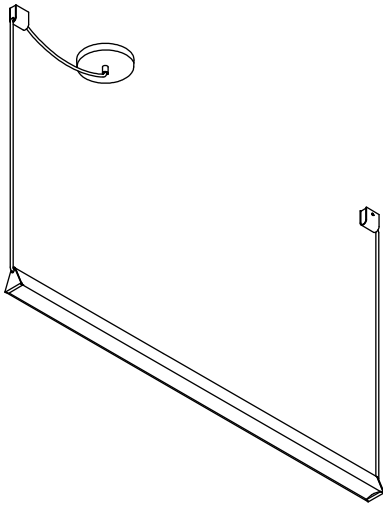


MILE 04 A,B,C

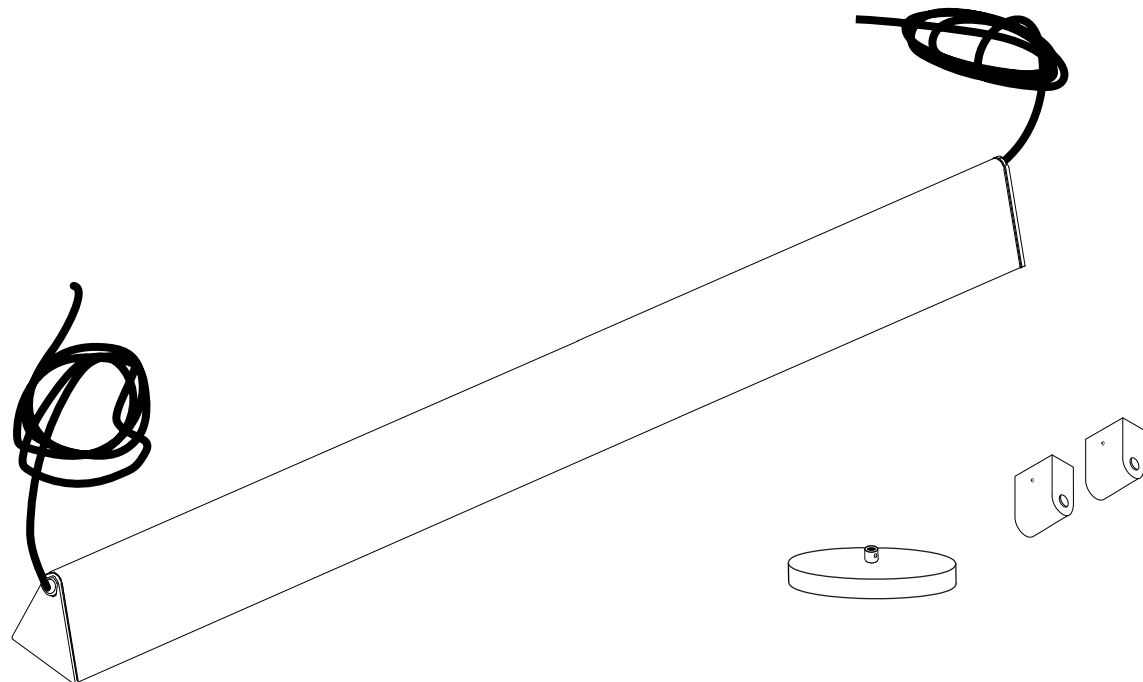
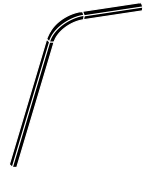


- To be installed by an electrician to an electrical box
- Use appropriate screws and anchors where necessary
- Wear enclosed gloves when handling lamp
- Handle materials with care. Please consult lamp maintenance sheet on our web site
- Should be used exclusively as a lamp and not as a shelving, display or hanging unit

lamp weight **4-9 lbs.**



1 x



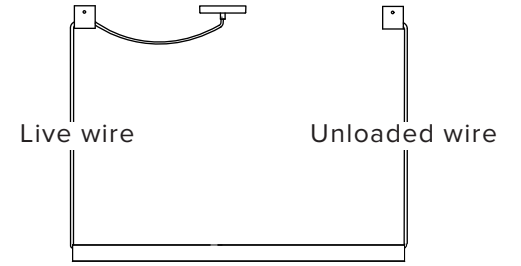
1

Mount live wire feed first.
Be sure all ceiling holes are aligned.

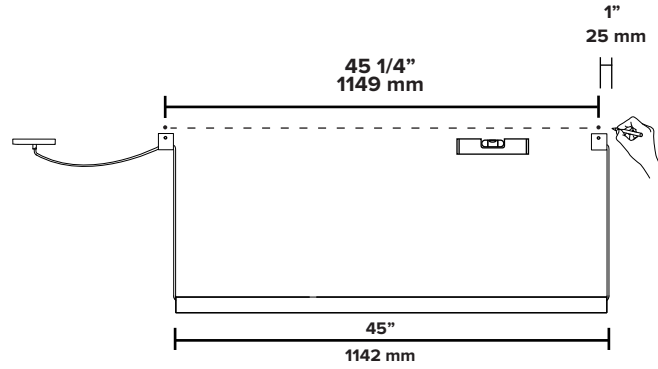
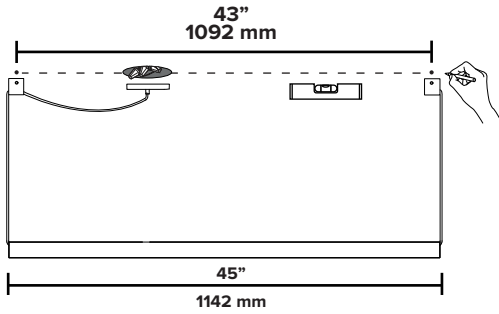


Make sure to use appropriate anchors for ceiling material

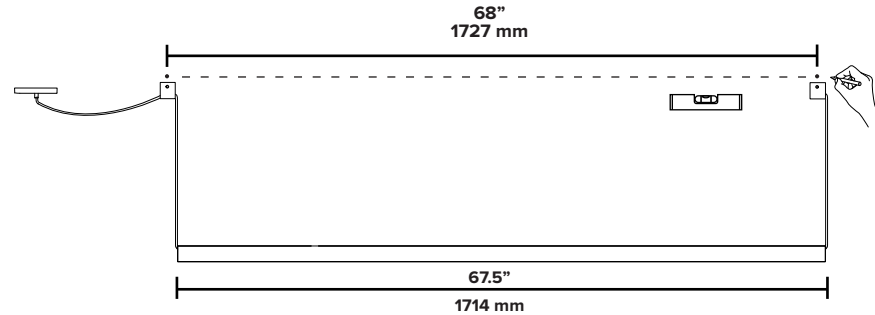
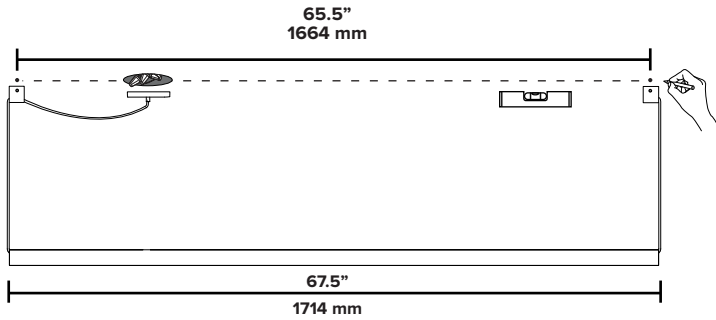
Please note the edge of your luminaire will be 1" from your anchor hole.



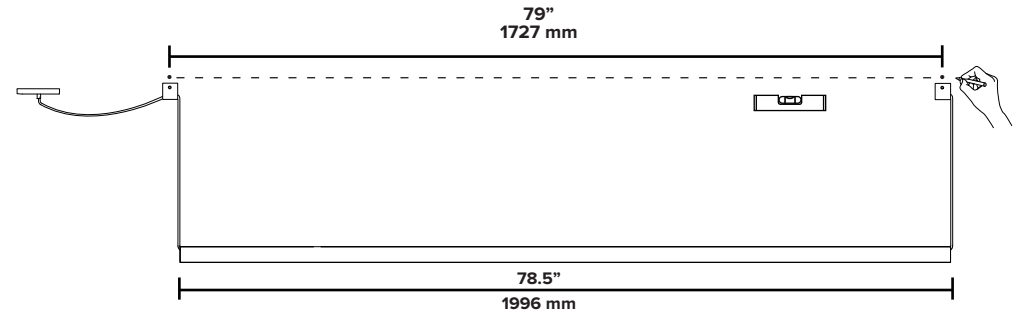
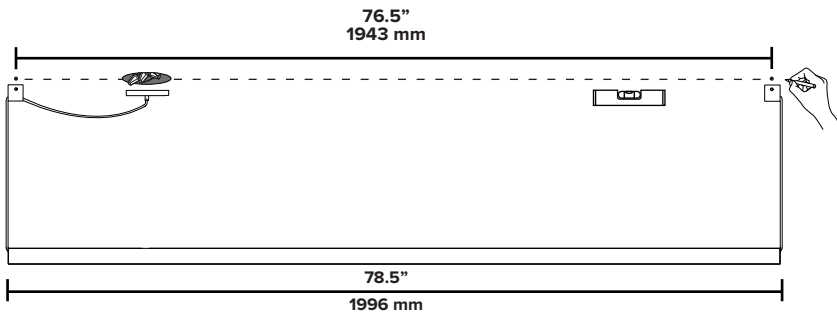
A



B

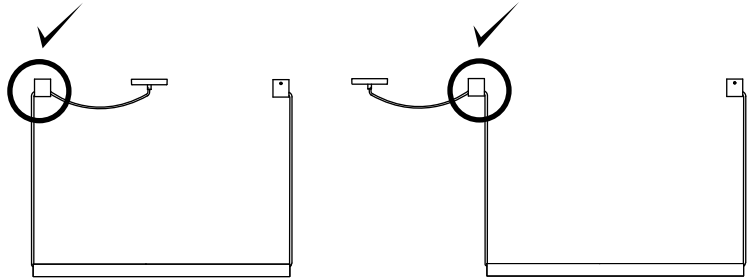
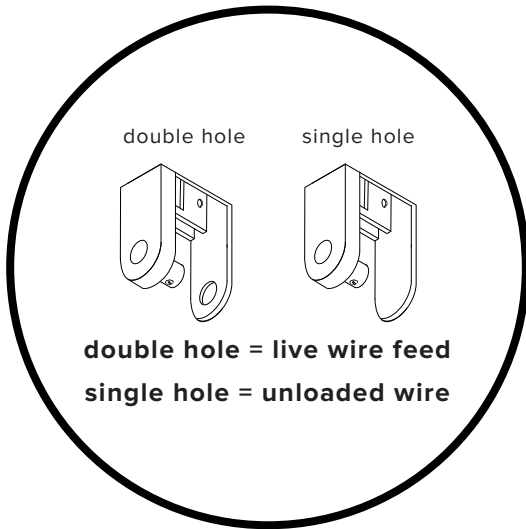


C

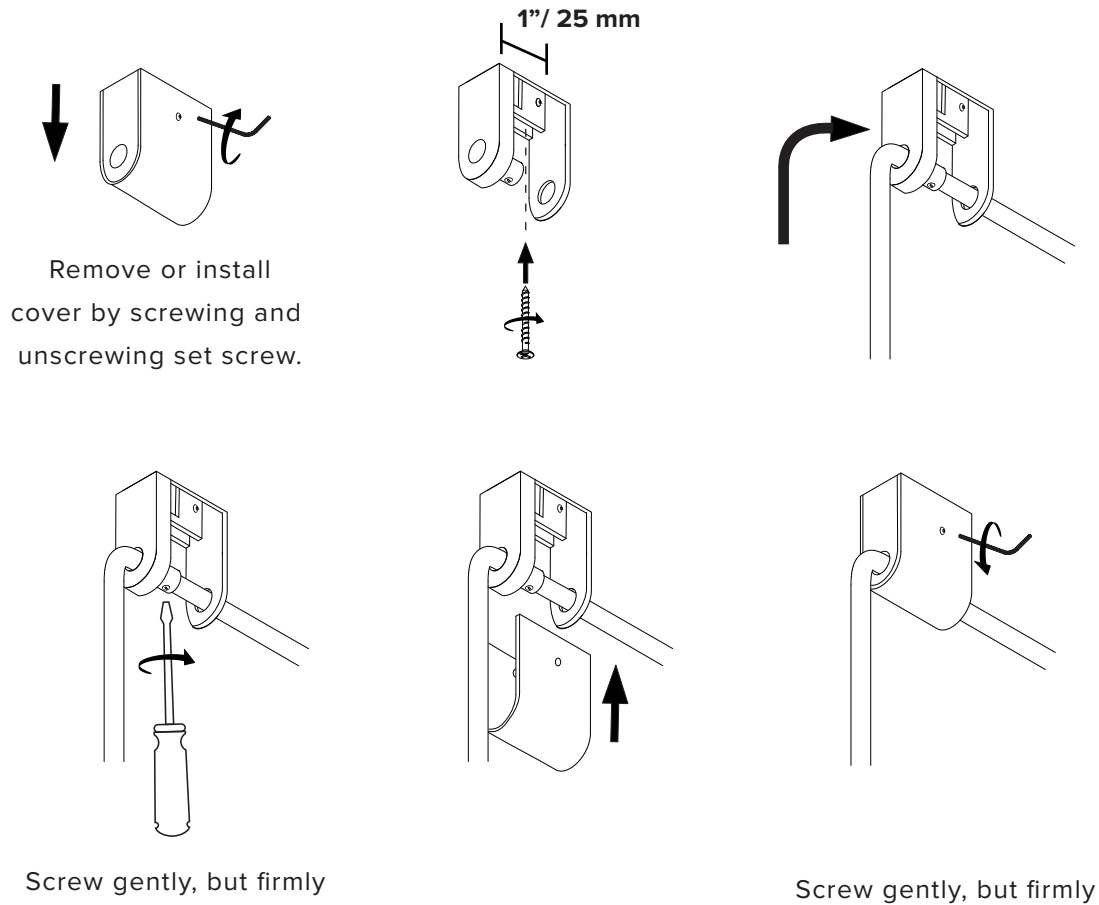


2

Mount live wire feed.
Pull wires to straighten them
before mounting them.

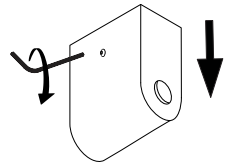
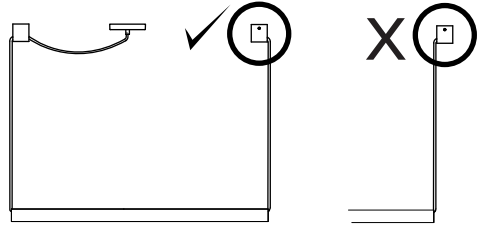


**Make sure to use appropriate
anchors for ceiling material**

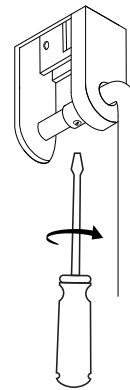
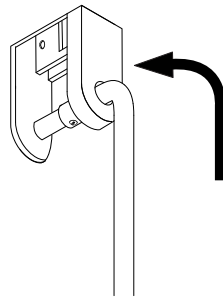
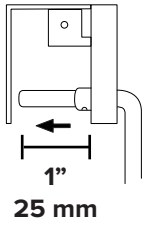
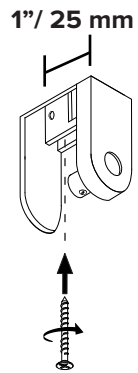


3

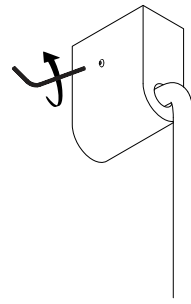
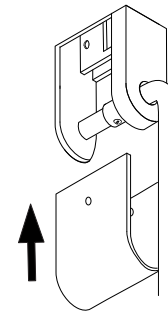
Mount unloaded wire
after live wire.



Remove or install
cover by screwing and
unscrewing set screw.



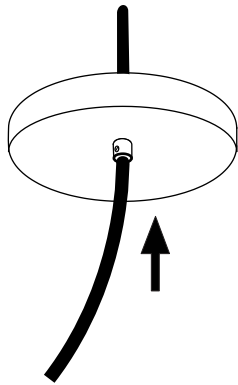
Screw gently, but firmly



Screw gently, but firmly

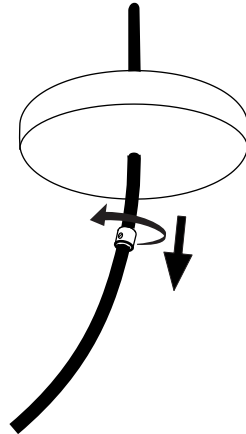
4

Pass wire through canopy



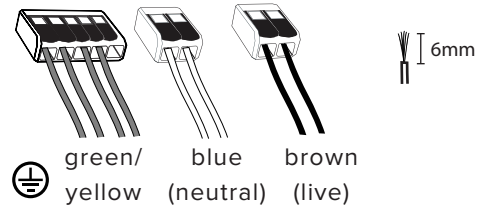
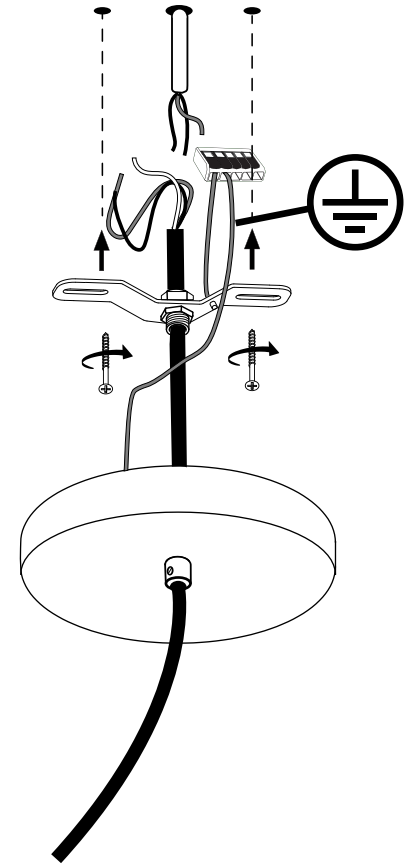
5

Unscrew and lower canopy strain relief

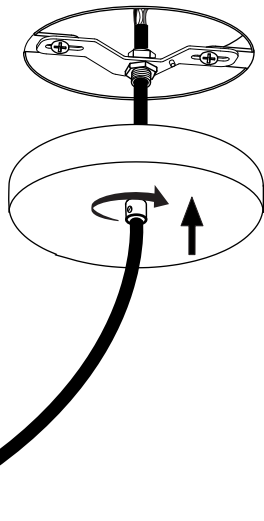


6

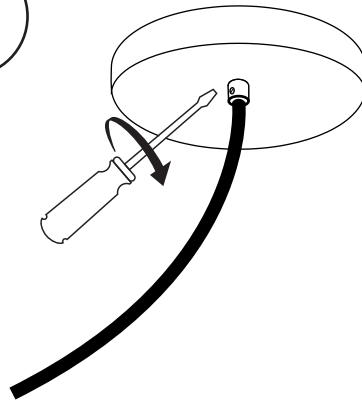
Make connection



7

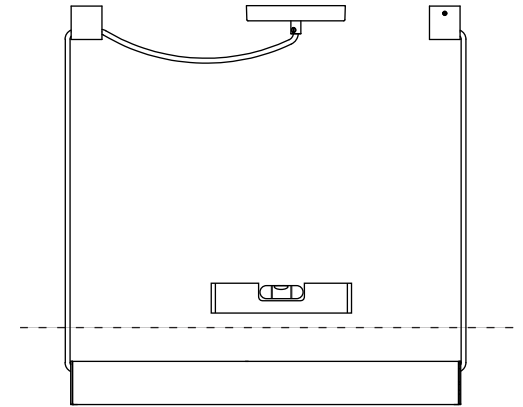


8



9

Adjust wire length to assure your lamp is balanced.



Readjustments may be required as your luminaire settles and the wires flex.