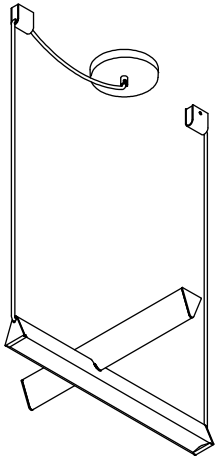
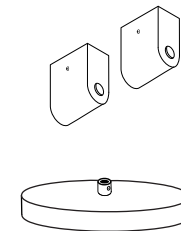
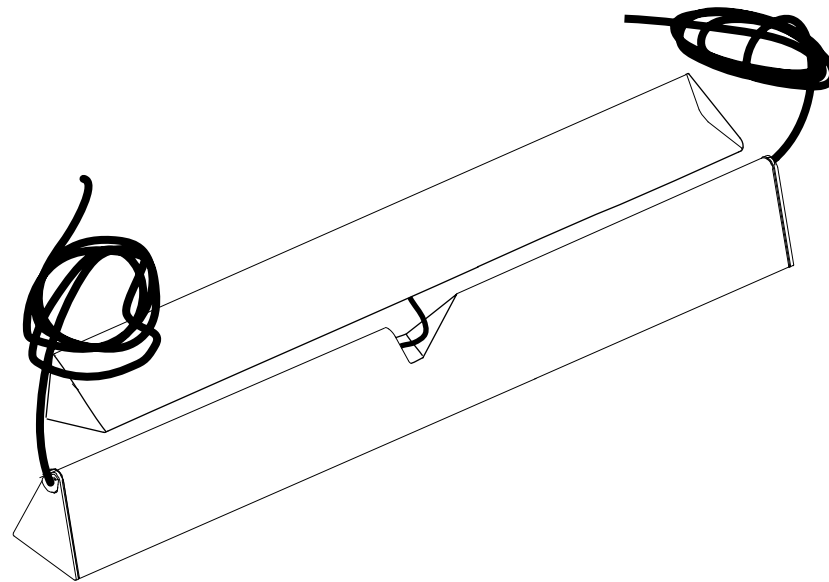
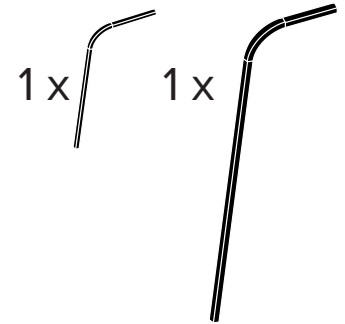


MILE 02



- To be installed by an electrician to an electrical box
- Use appropriate screws and anchors where necessary
- Wear enclosed gloves when handling lamp
- Handle materials with care. Please consult lamp maintenance sheet on our web site
- Should be used exclusively as a lamp and not as a shelving, display or hanging unit

lamp weight **4 lbs.**

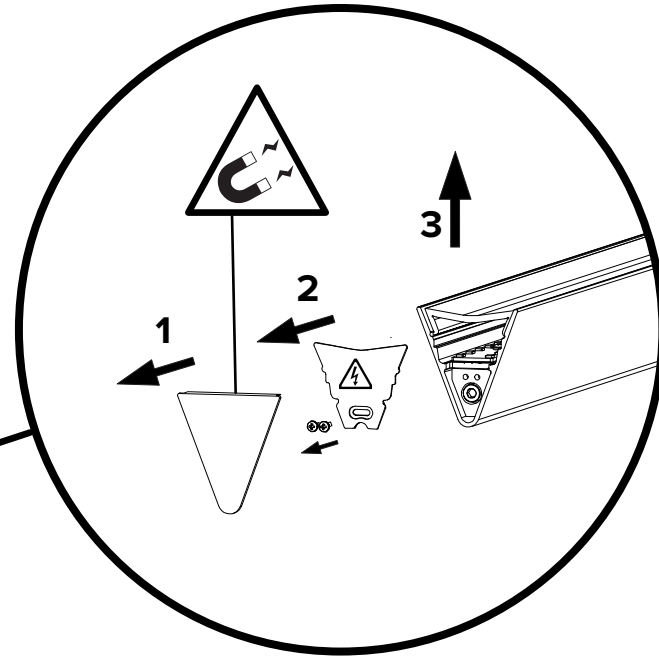


1

Remove endcap on short side of arm **A**

It is held in place with a magnet (1).

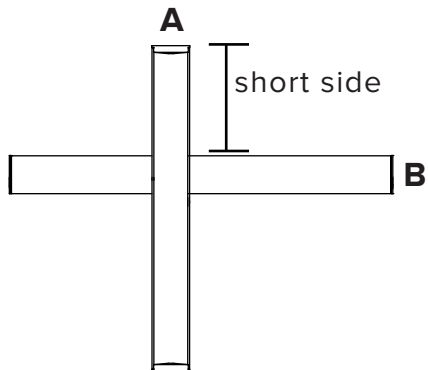
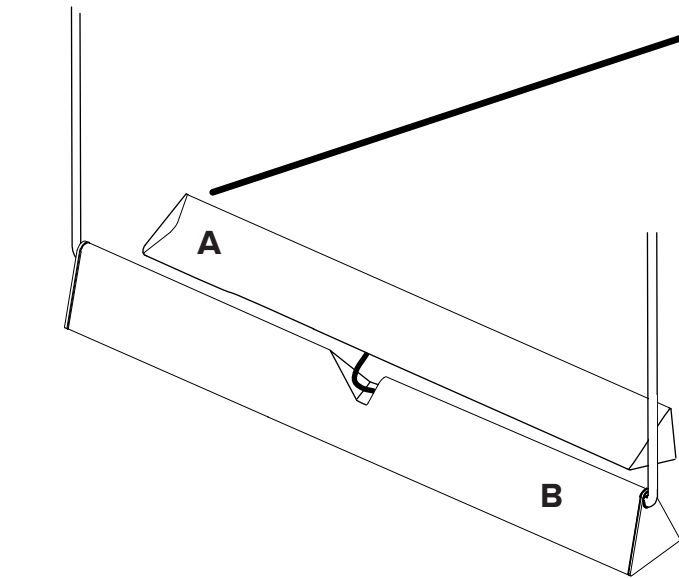
Remove both interior screws on second plate (2) then remove lens (3).



If you need to access LED board or connector screw in the future, follow these steps.

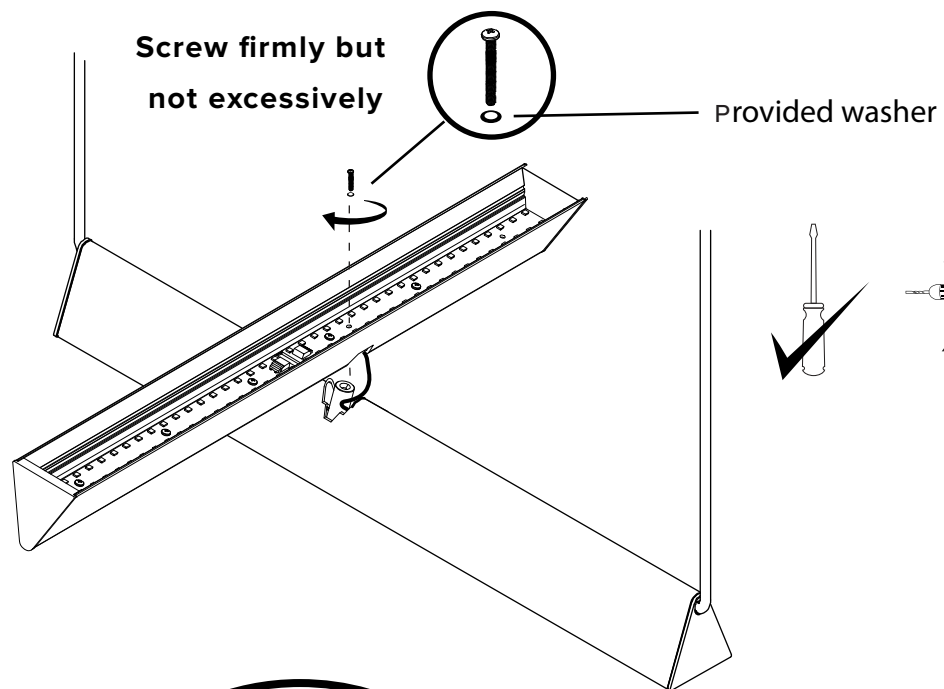


Be careful when removing endcap that it does not stick to other surfaces which could result in scratches in the paint.



2

Reorientate arm **A** into the slot in arm **B**. Screw it into place with screw provided. Make sure the wire connection is not in the way

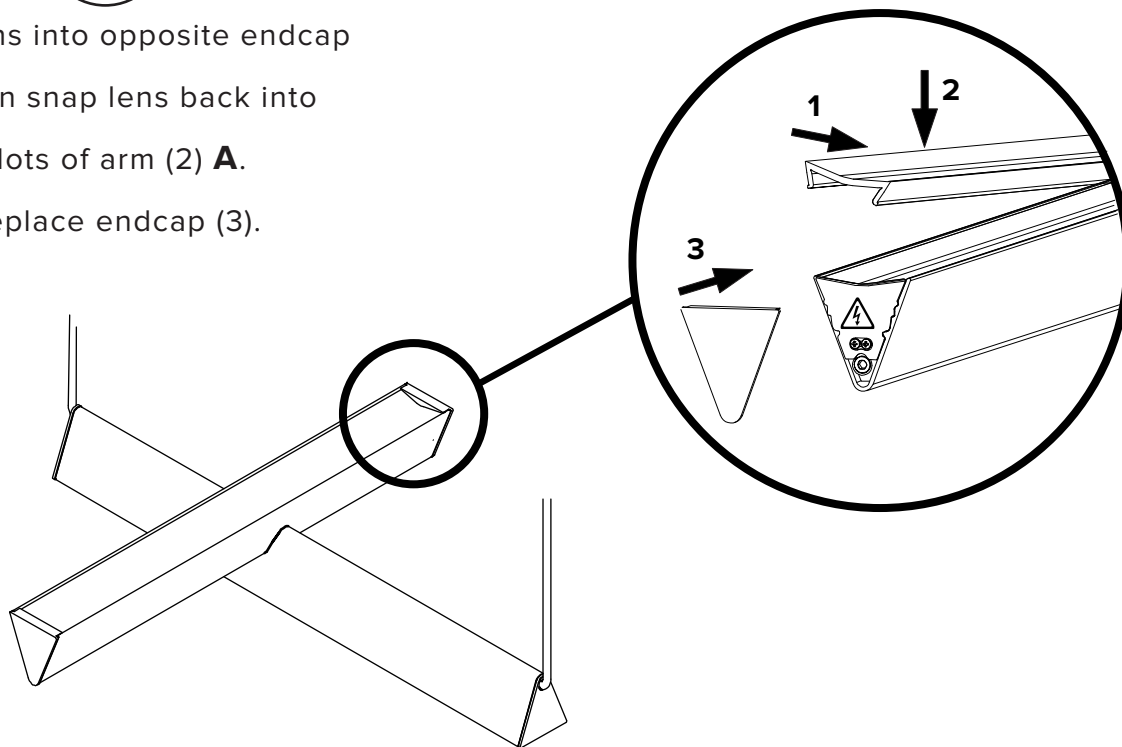


3

Slide lens into opposite endcap

(1) then snap lens back into slots of arm (2) **A**.

Replace endcap (3).

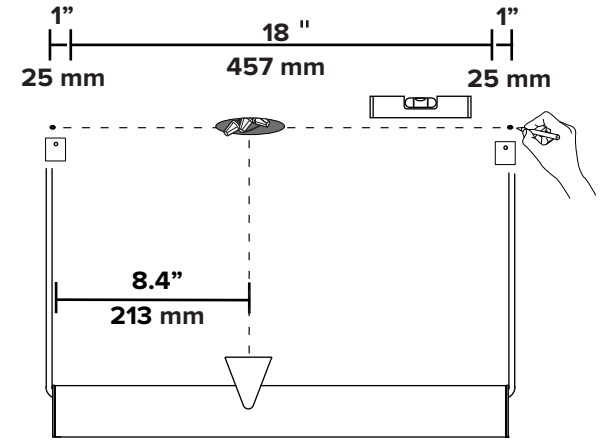
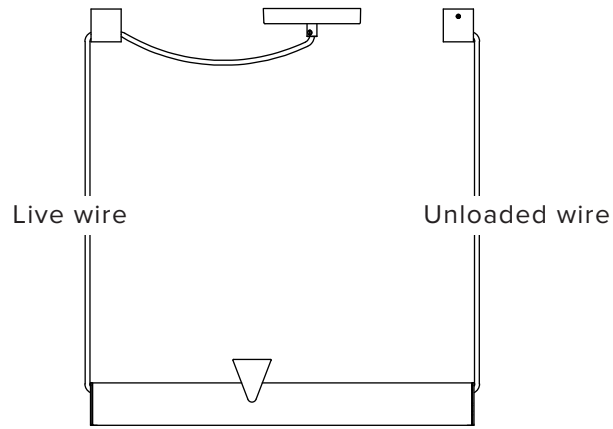


6

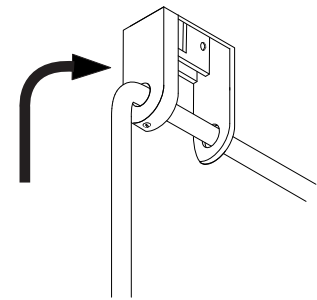
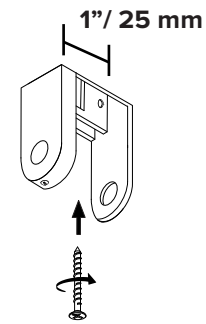
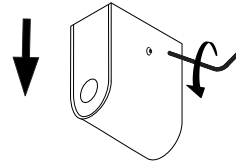
Mount live wire feed first.

Be sure all ceiling holes are parallel.

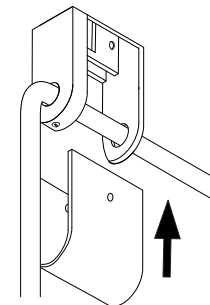
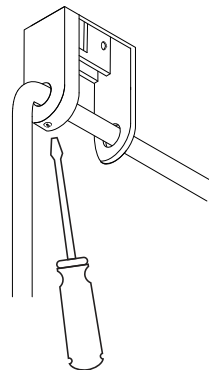
Mount lamp with upright aligned with junction box if desired.



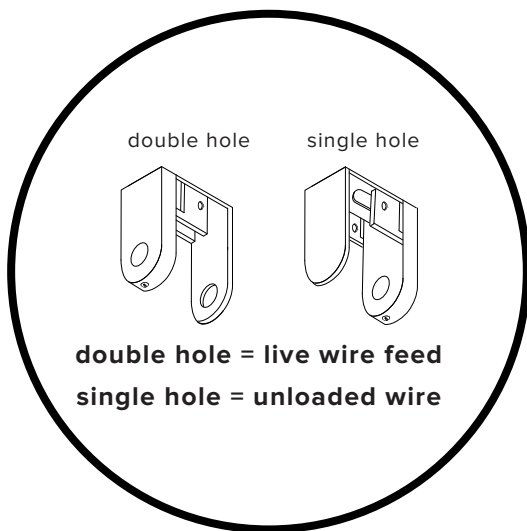
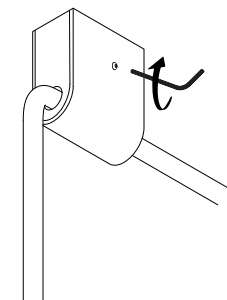
Make sure to use appropriate anchors for ceiling material



*** Screw gently, but firmly**

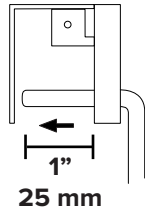


*** Screw gently, but firmly**



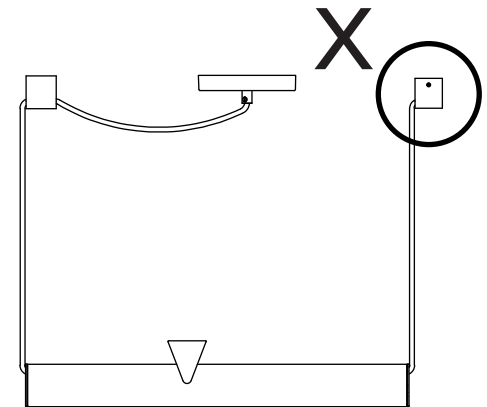
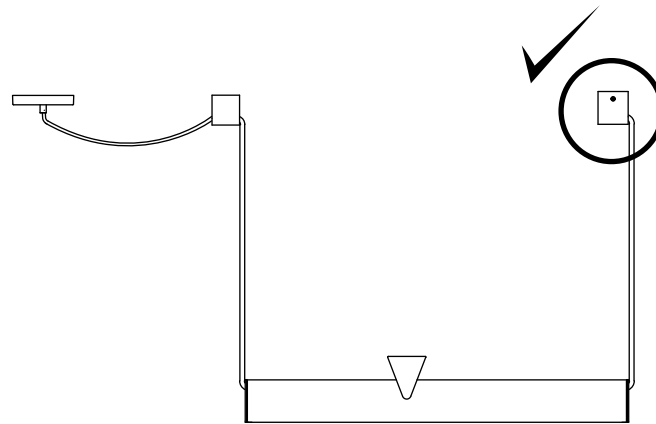
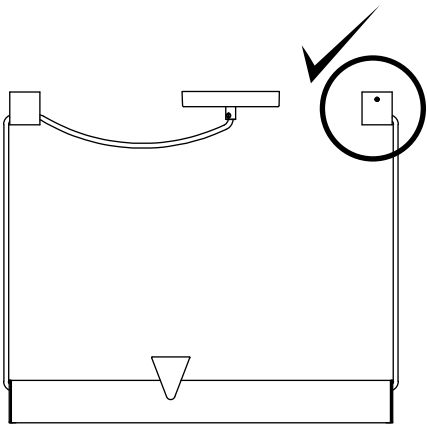
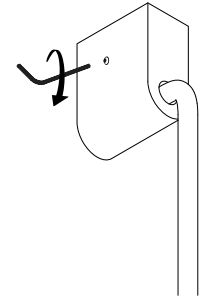
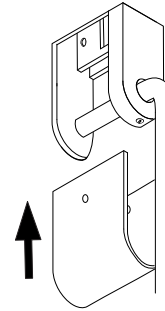
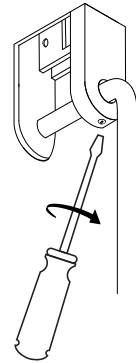
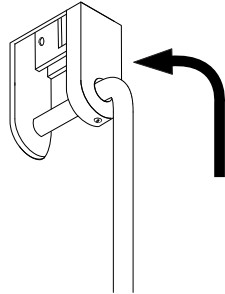
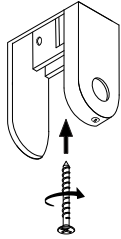
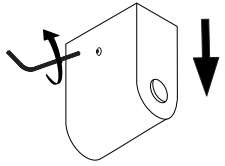
5

Mount unloaded wire
after live wire.



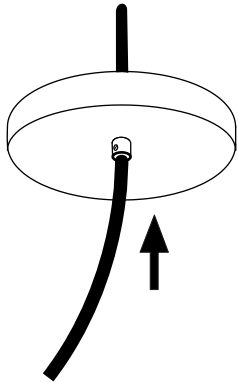
* Screw gently, but firmly

* Screw gently, but firmly



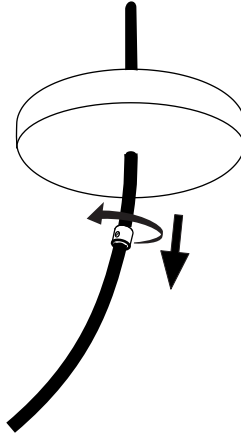
6

Pass wire
through canopy

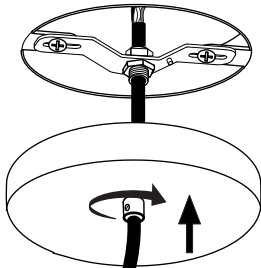


7

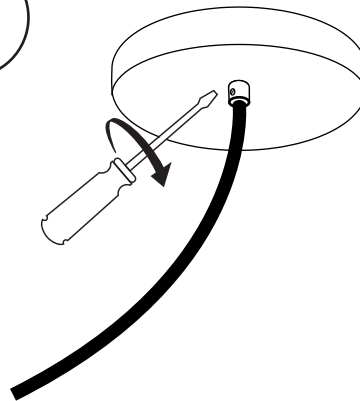
Unscrew and lower
canopy strain relief



9

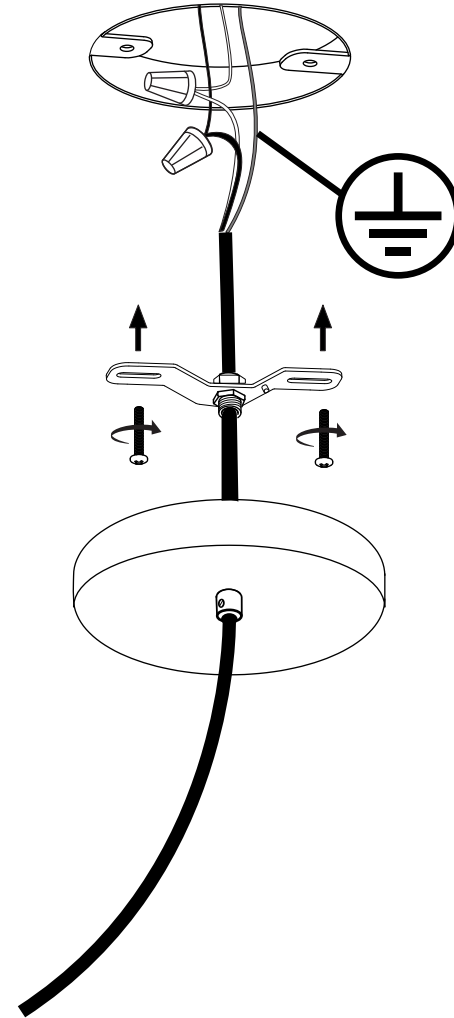


10



8

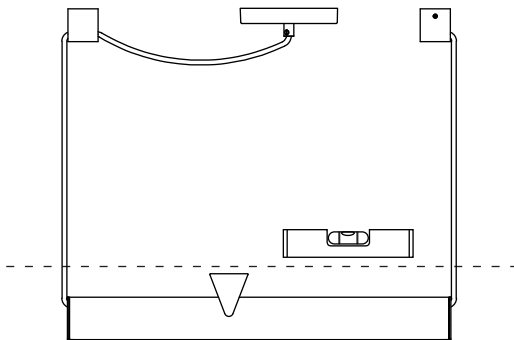
Make connection
(green to green)
(brown to brown)
(blue to blue)



11

Adjust balance of downlight by adjusting length of wires if necessary.

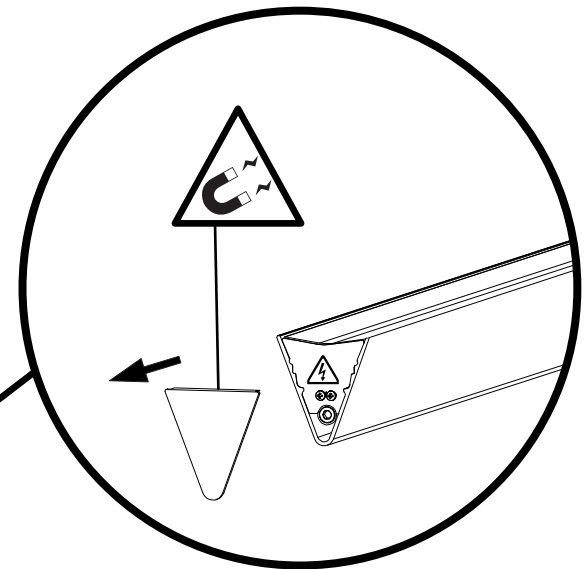
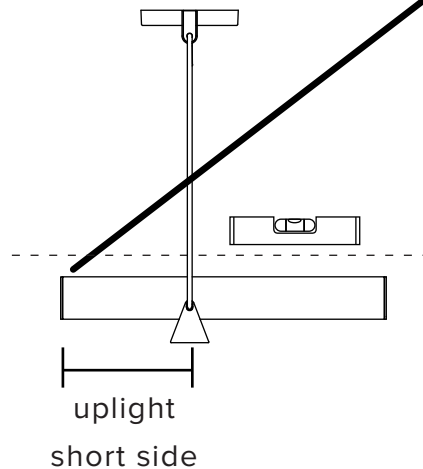
Adjust balance of uplight by adjusting inner balance if necessary.



Before adjusting wire length or interior weight, carefully attempt to balance the lamp by hand. The wire's flex can allow micro adjustments of their own.

Should uplight adjustments be needed, remove endcap on short side arm.

Endcap is held in place with a magnet.



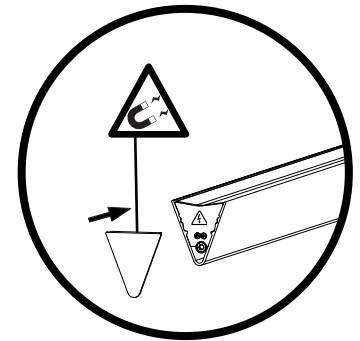
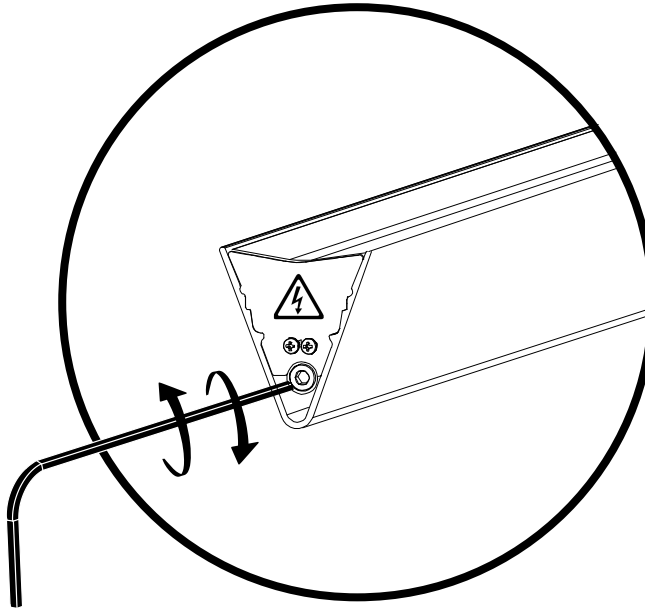
Becareful when removing endcap that it does not stick to other surfaces which could result in scratches in the paint.

The adjustment screw holding the balance weight is now visible. Use supplied allen key to screw weight in or out depending on balance.



Note that the endcap affects final balance of lamp!

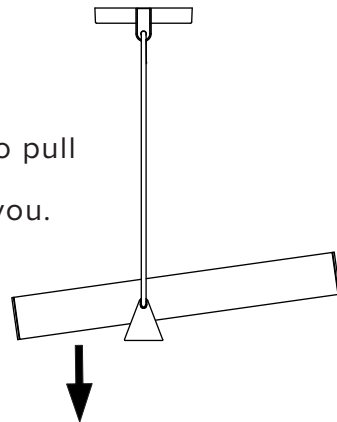
Lamp will not appear balanced until the cap is in place.



Replace endcap when adjustments are complete



Screw clockwise to pull weight towards you.



Screw counter-clockwise to push weight away from you.

