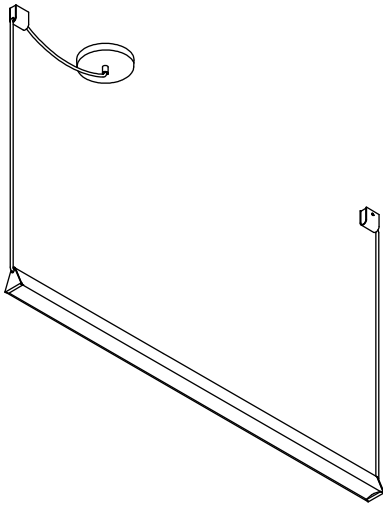




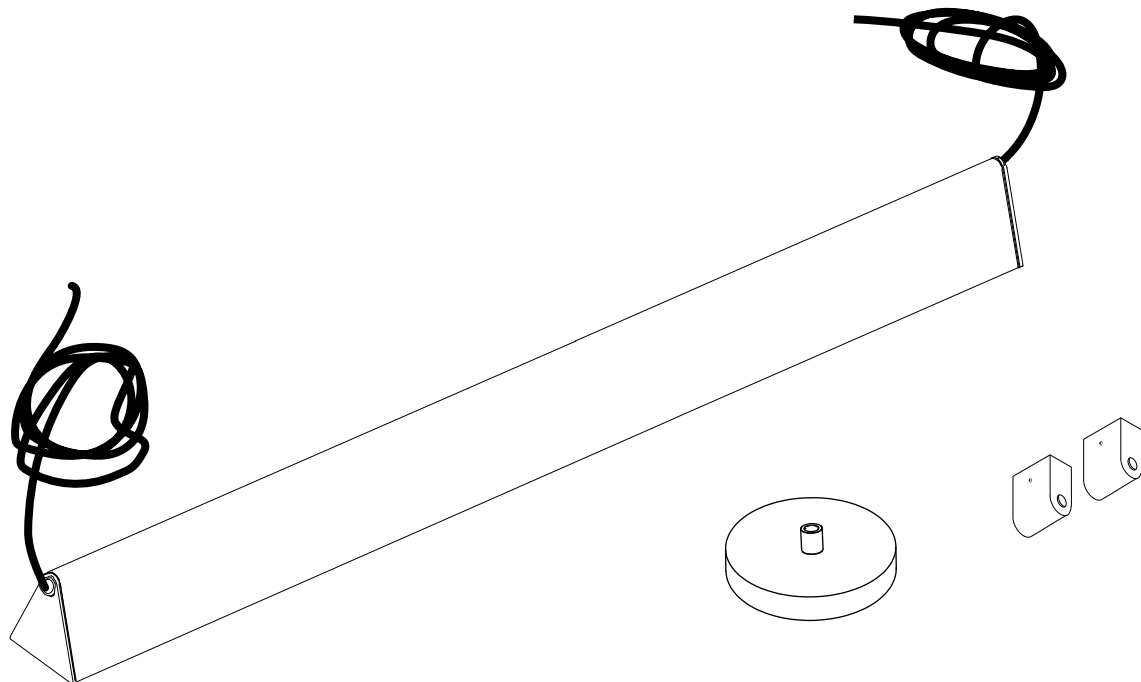
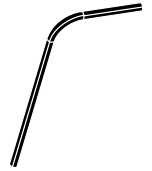
MILE 04 A,B,C



- 
- To be installed by an electrician to an electrical box
 - Use appropriate screws and anchors where necessary
 - Wear enclosed gloves when handling lamp
 - Handle materials with care. Please consult lamp maintenance sheet on our web site
 - Should be used exclusively as a lamp and not as a shelving, display or hanging unit
- 

lamp weight **4-9 lbs.**

1 x



1

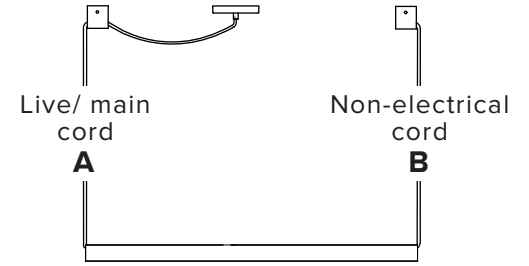
Mark anchor locations

Be sure all ceiling holes are aligned.

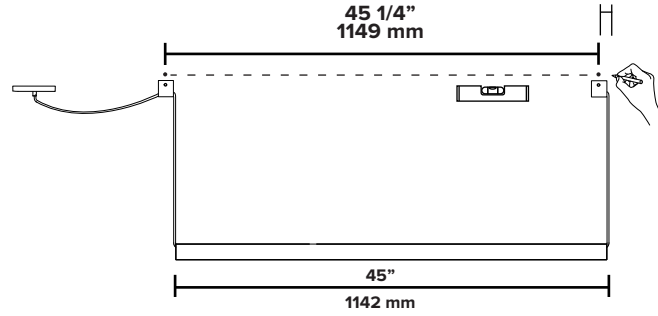
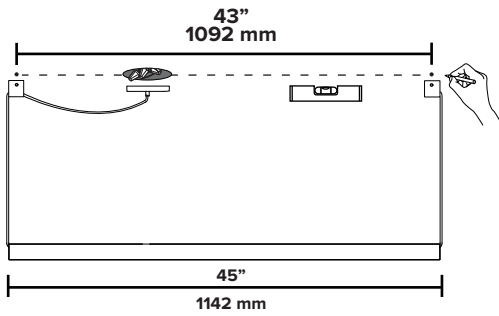


Make sure to use appropriate anchors for ceiling material

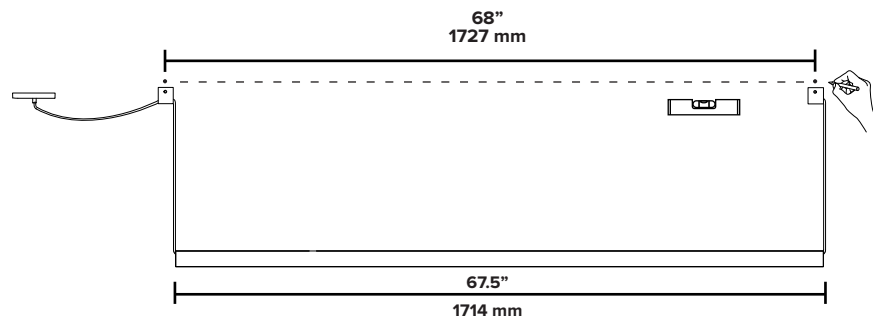
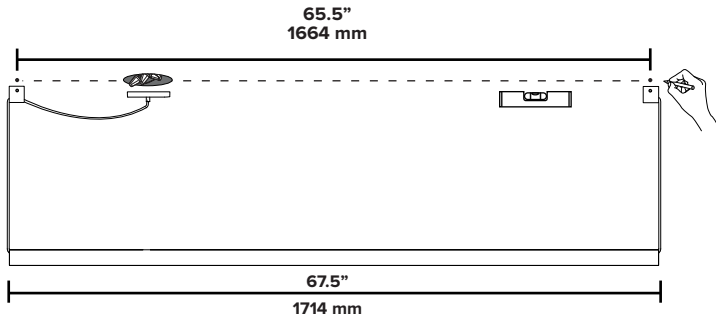
Please note the edge of your luminaire will be 1" from your anchor hole.



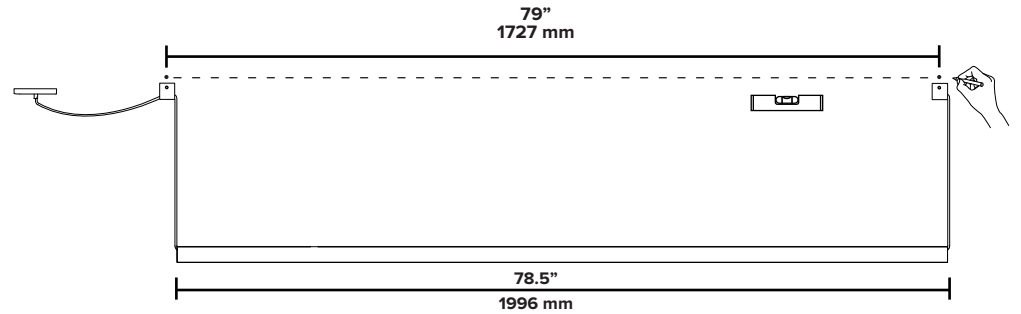
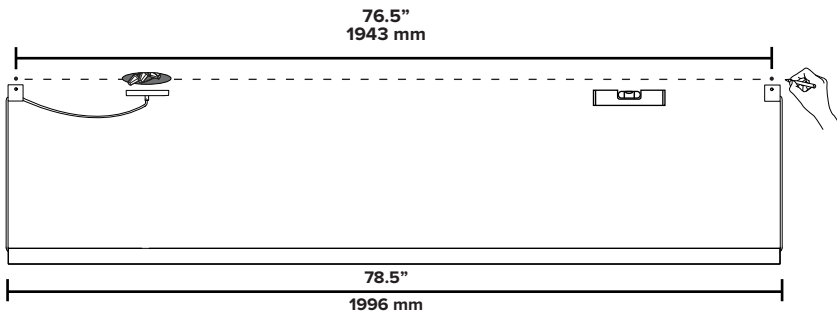
A



B



C

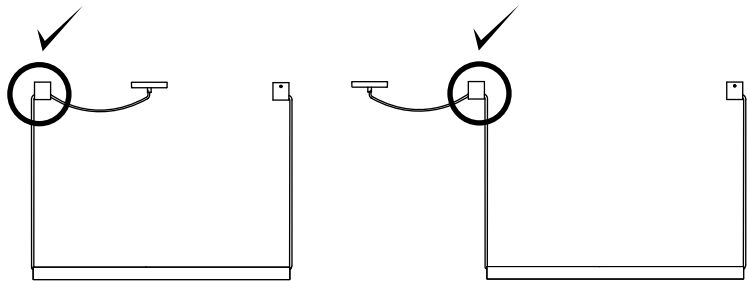
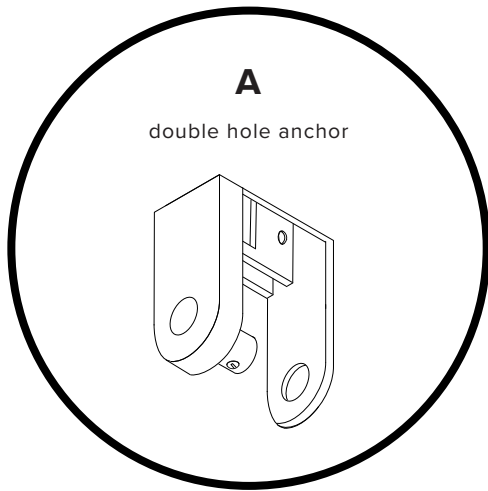


2

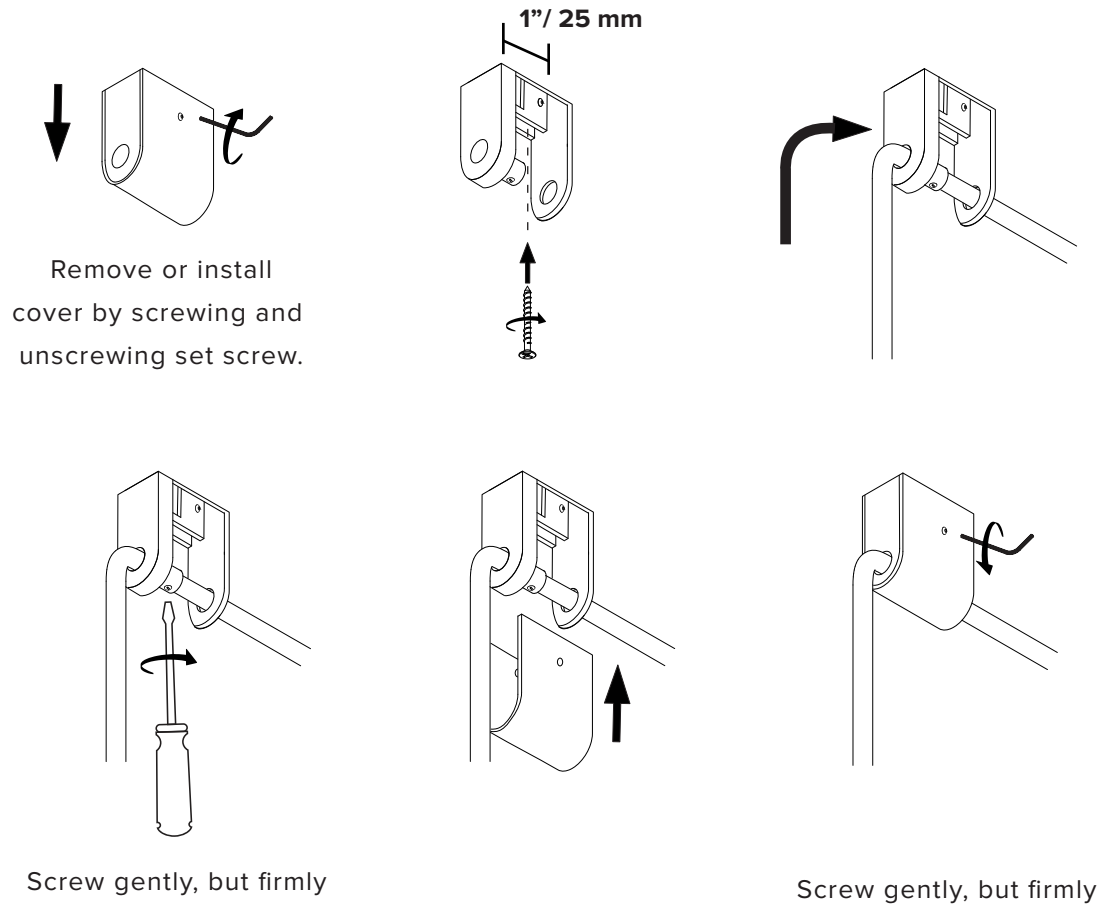
Mount double hole anchor with line/main voltage cord.

A

Pull wires to straighten them before mounting them.



Make sure to use appropriate anchors for ceiling material

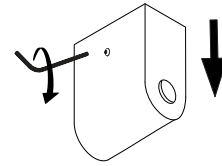
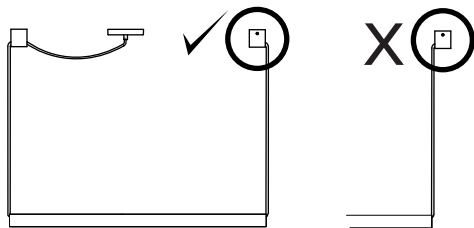
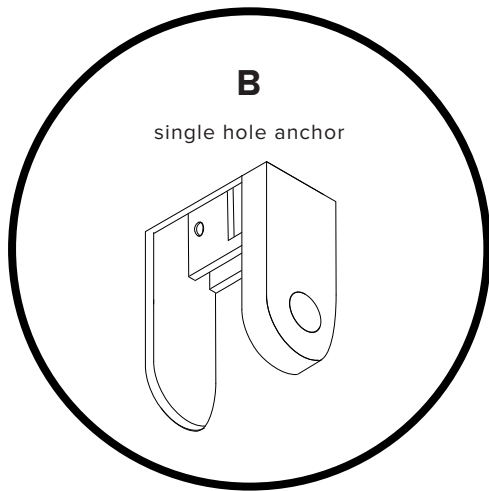


3

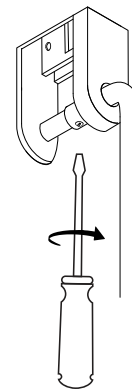
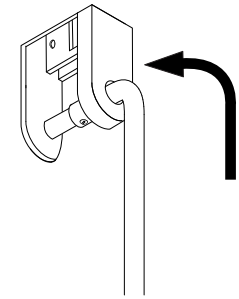
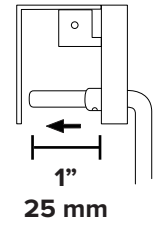
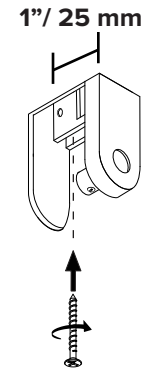
Mount single hole anchor with non-electrical cord.

B

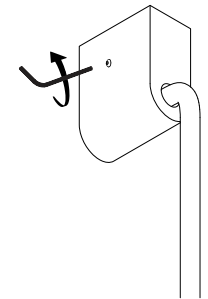
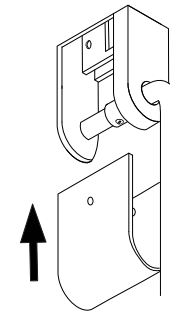
Pull wires to straighten them before mounting them.



Remove or install cover by screwing and unscrewing set screw.

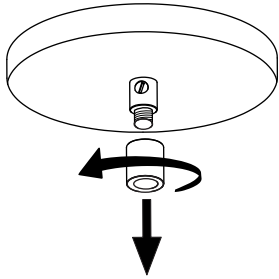


Screw gently, but firmly

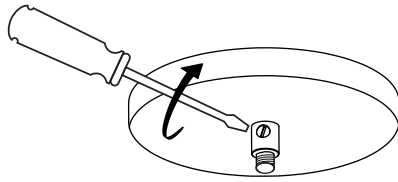


Screw gently, but firmly

4

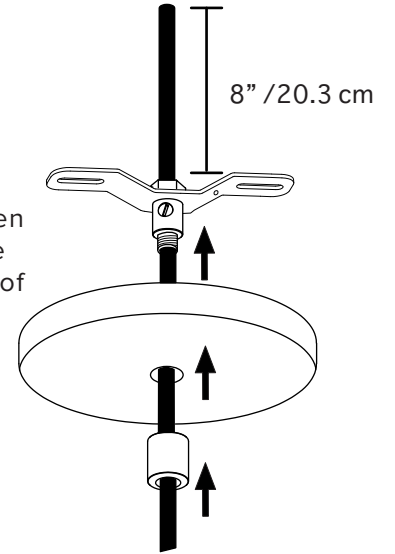


5



6

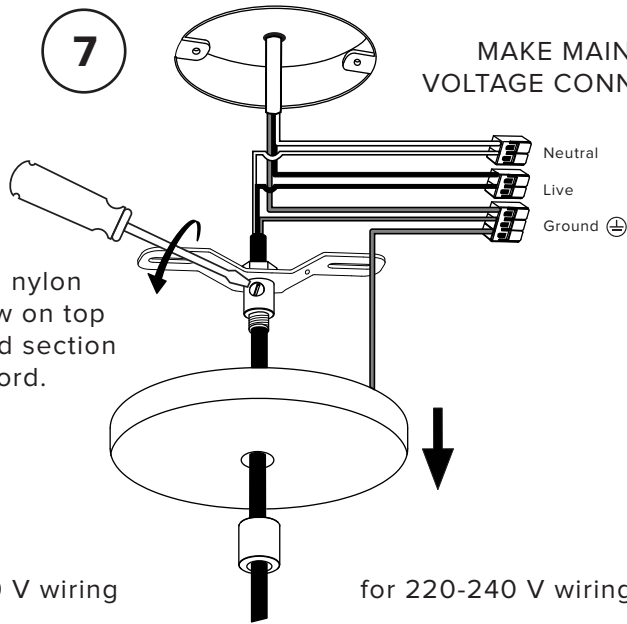
Feed line/main voltage cord A through then adjust cord length. Leave a minimum of 8" / 20.3 cm of cord after the bracket.



7

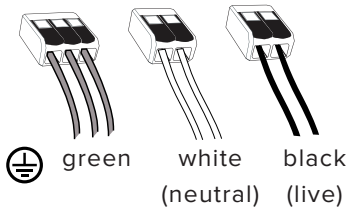
MAKE MAIN/LINE VOLTAGE CONNECTIONS

Tighten nylon set screw on top of sleeved section of cord.

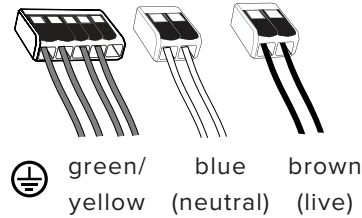


for 120 V wiring

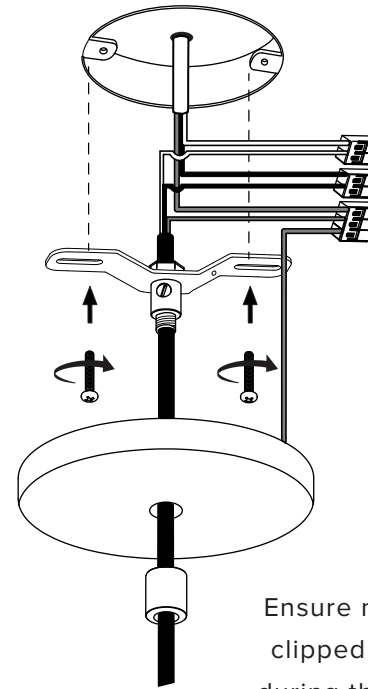
for 220-240 V wiring



6mm

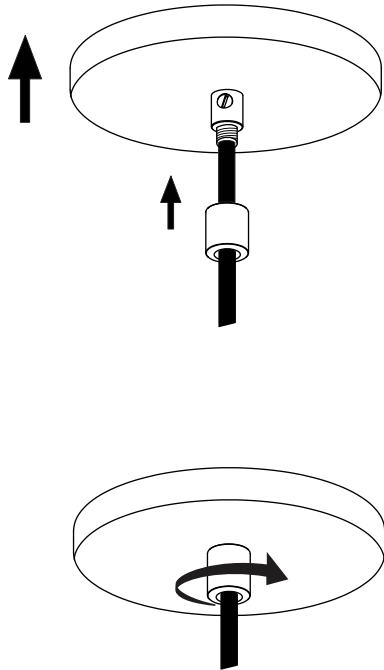


8



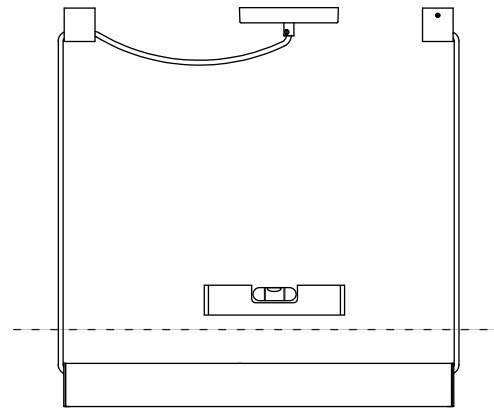
Ensure no wires are clipped or pinched during this operation.

9



10

Adjust wire length to assure
your lamp is balanced.



**Readjustments may be required
as your luminaire settles and the
wires flex.**