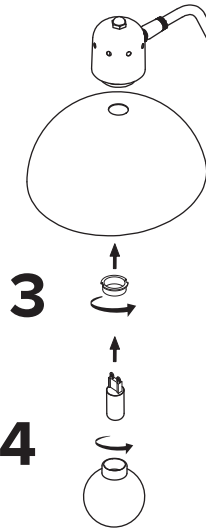
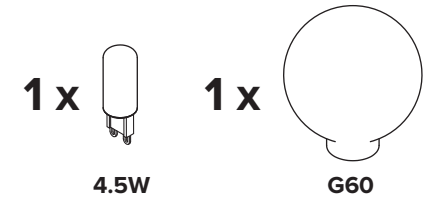
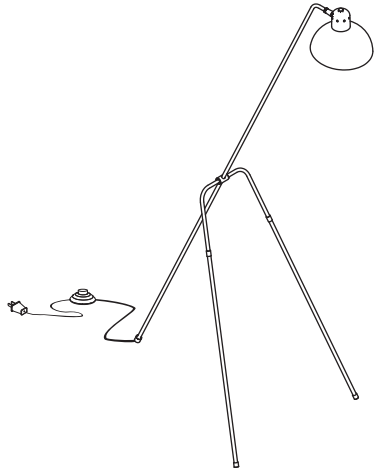


# GRUE

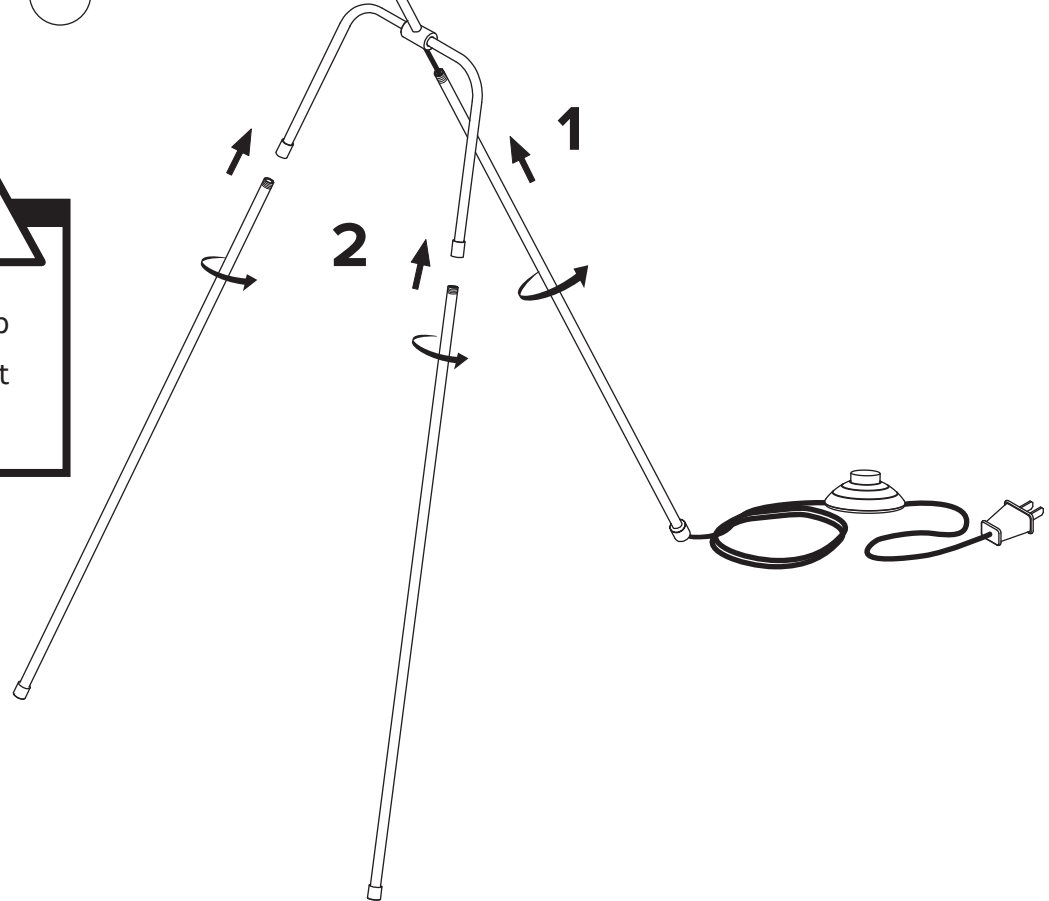


3

4

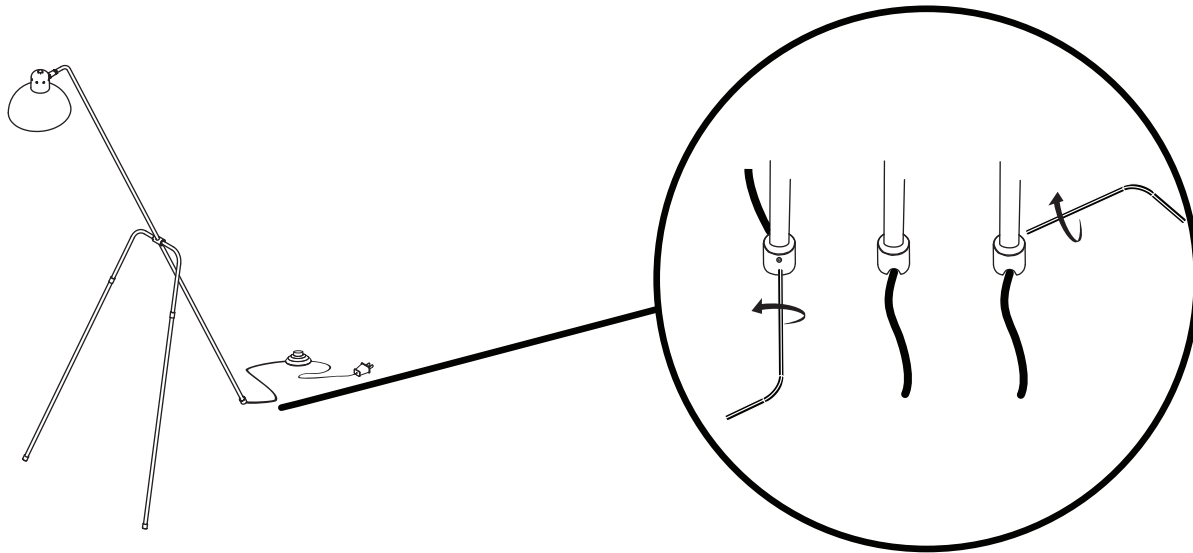
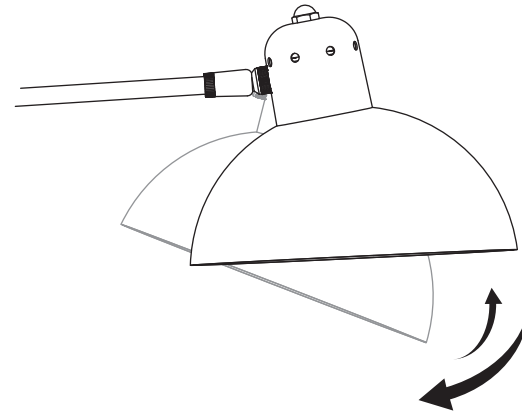
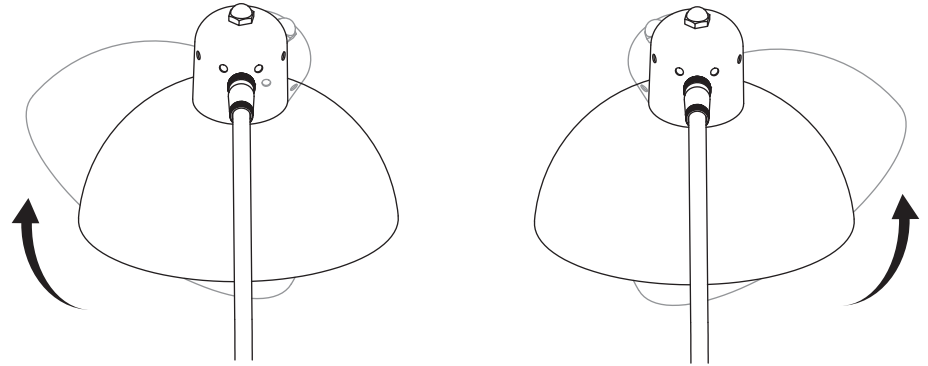
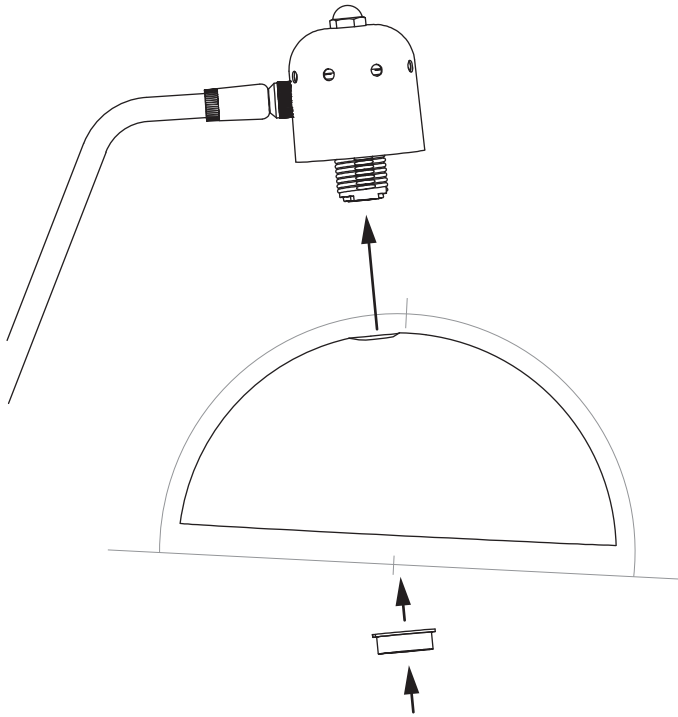


- Wear enclosed gloves when handling lamp
- Handle materials with care. Please consult lamp maintenance sheet on our web site



2

1



When the back leg has been screwed into place, rotate coupling so that the wire exit hole faces back from the lamp. Loosen set screw before adjusting and tighten it again when finished.