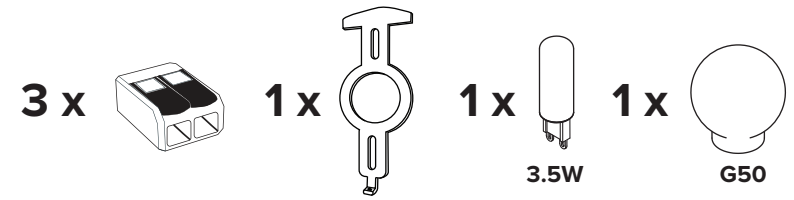
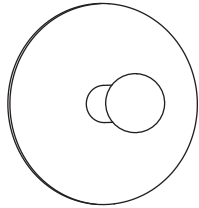
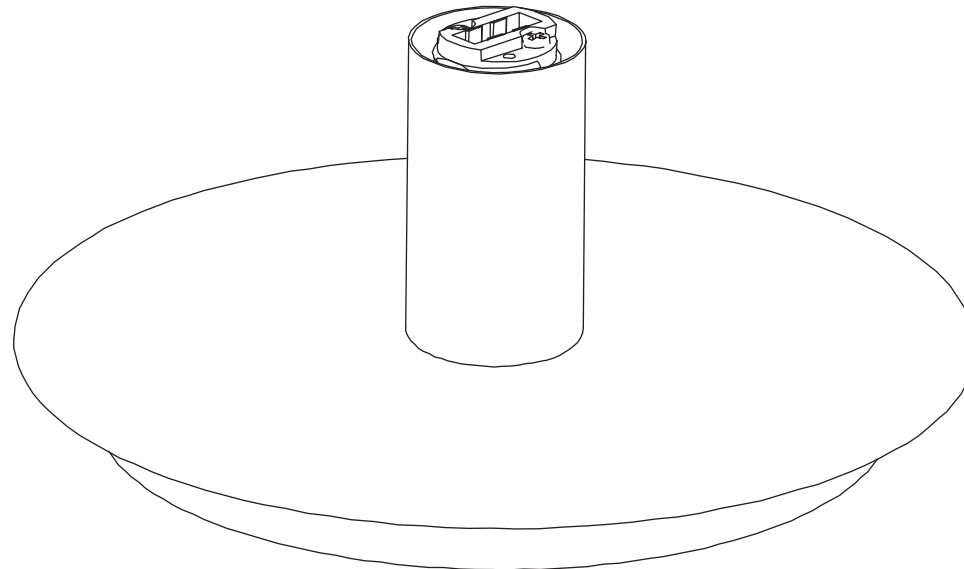
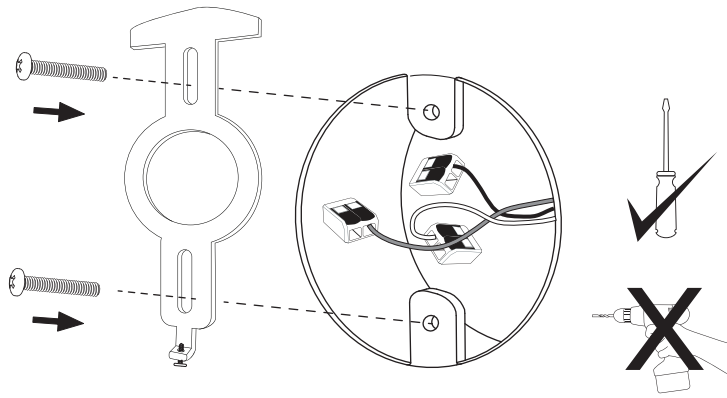


# DOT WALL HARDWIRE



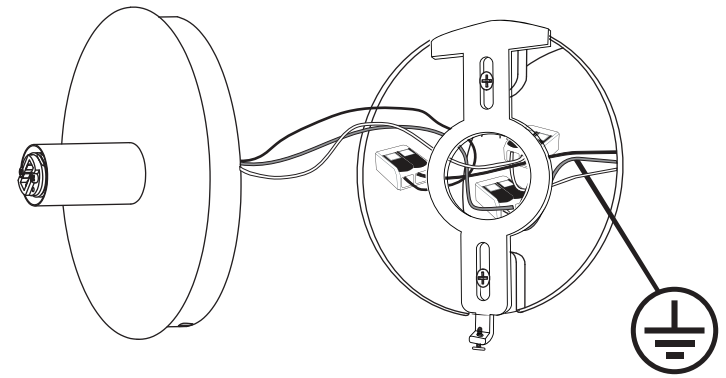
- To be installed by an electrician to an electrical box
- Use appropriate screws and anchors where necessary
- Wear enclosed gloves when handling lamp
- Handle materials with care. Please consult lamp maintenance sheet on our web site
- Wall mount only



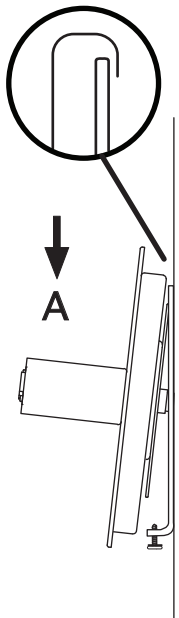


**1**

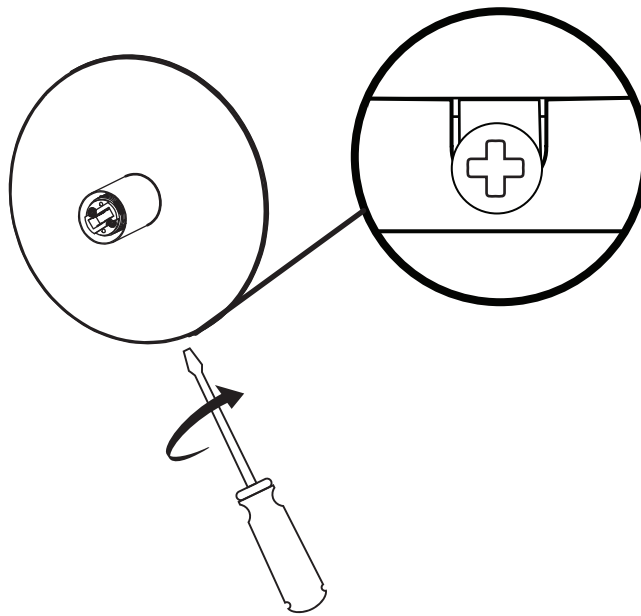
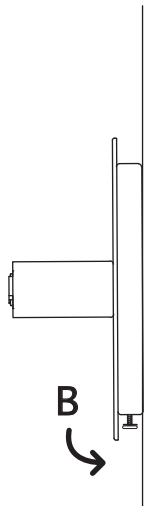
\* Use appropriate anchors



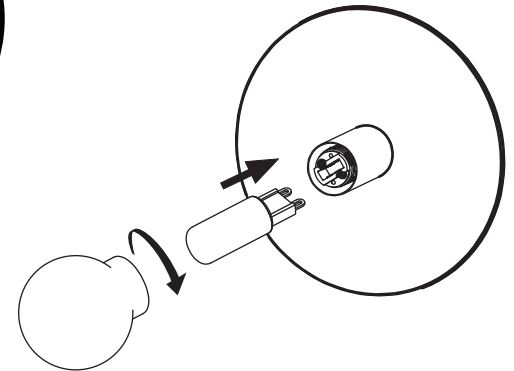
**2**



**3**



**4**



**5**