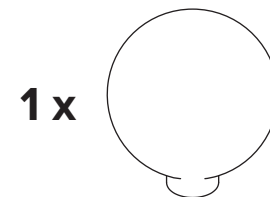
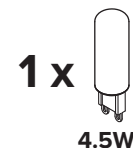
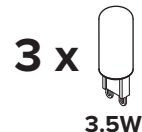
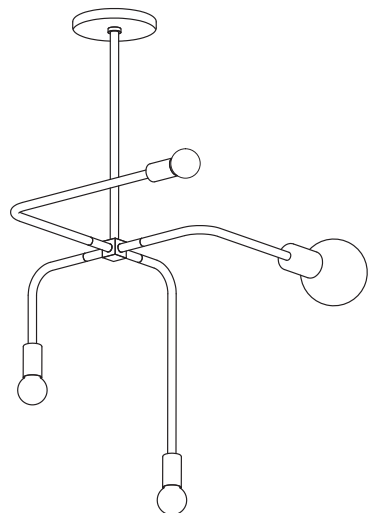
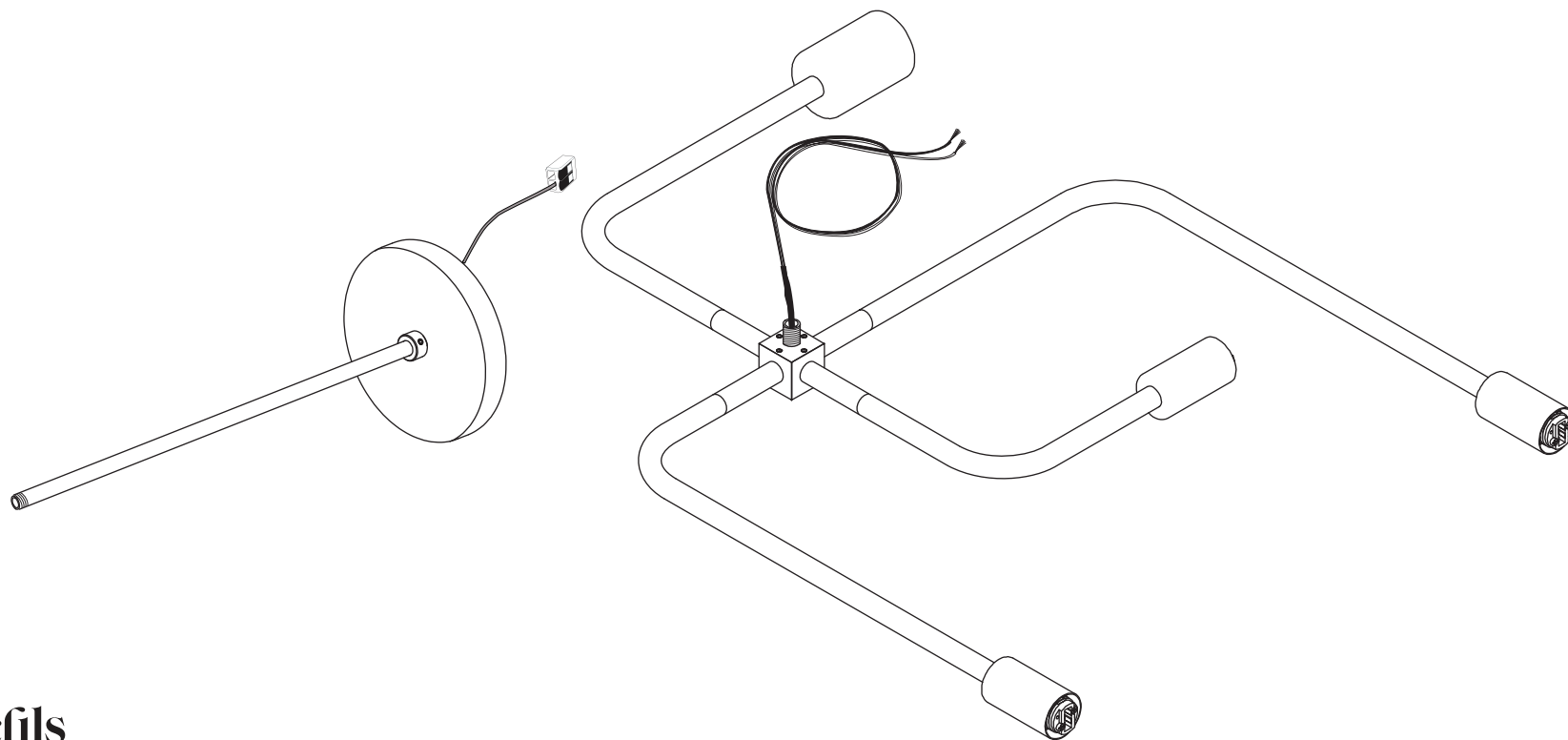
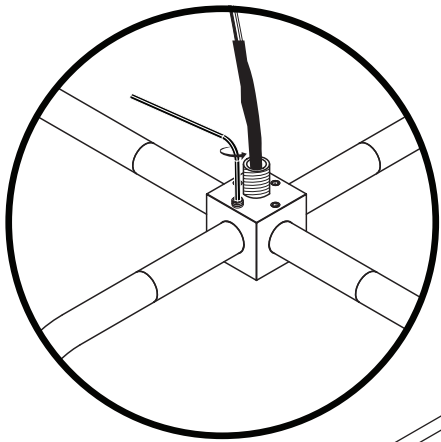


BEAUBIEN SUSPENSION



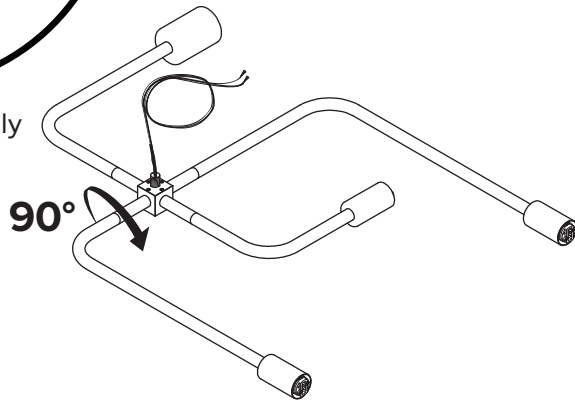
- To be installed by an electrician to an electrical box
- Use appropriate screws and anchors where necessary
- Wear enclosed gloves when handling lamp
- Handle materials with care. Please consult lamp maintenance sheet on our web site



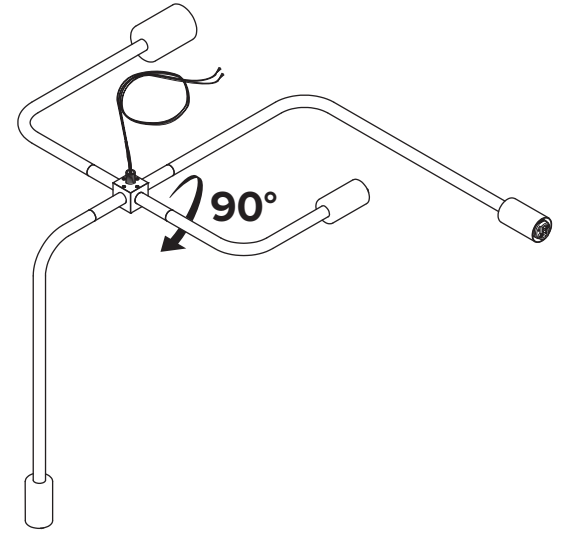


* Screw gently, but firmly

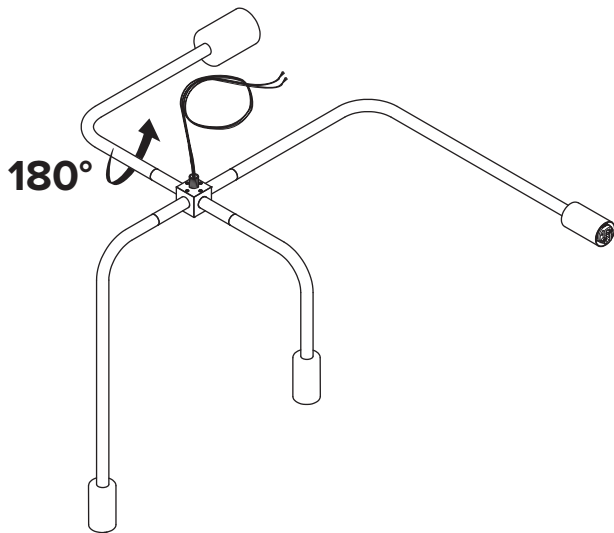
1



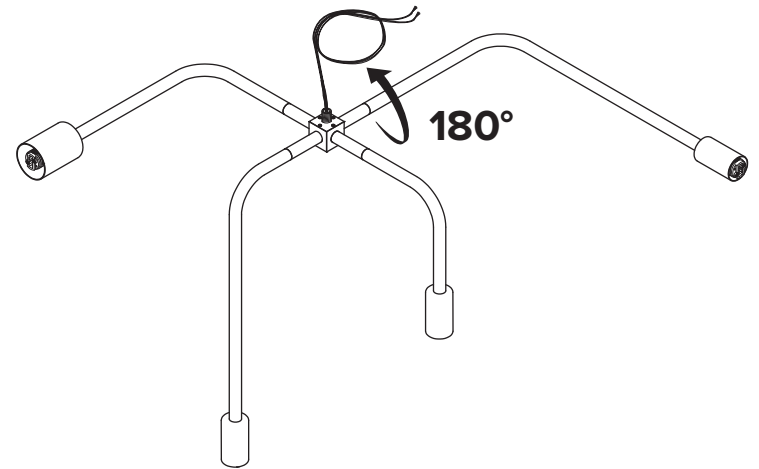
2

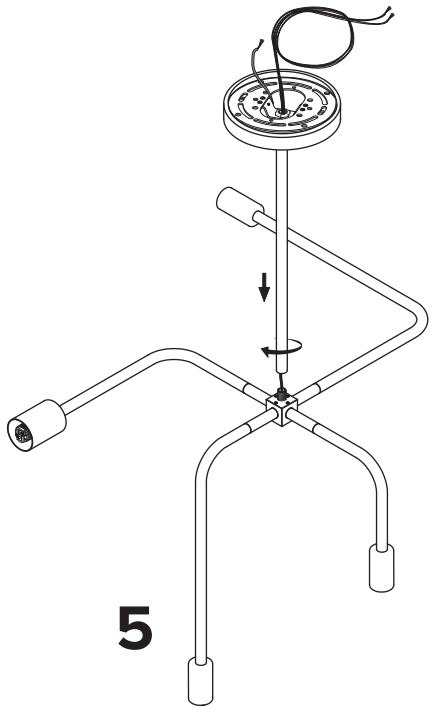


3

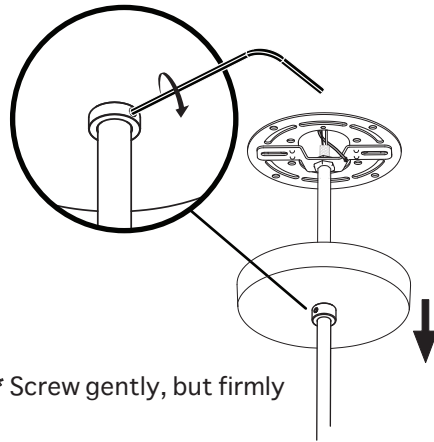


4



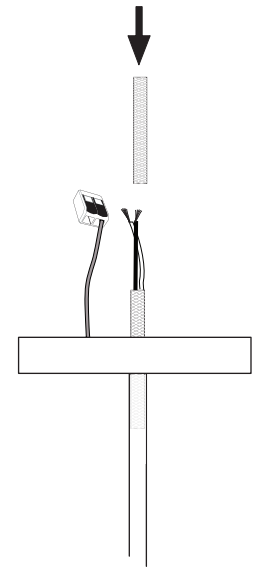


5

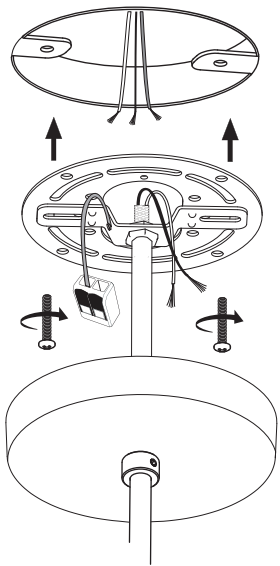


* Screw gently, but firmly

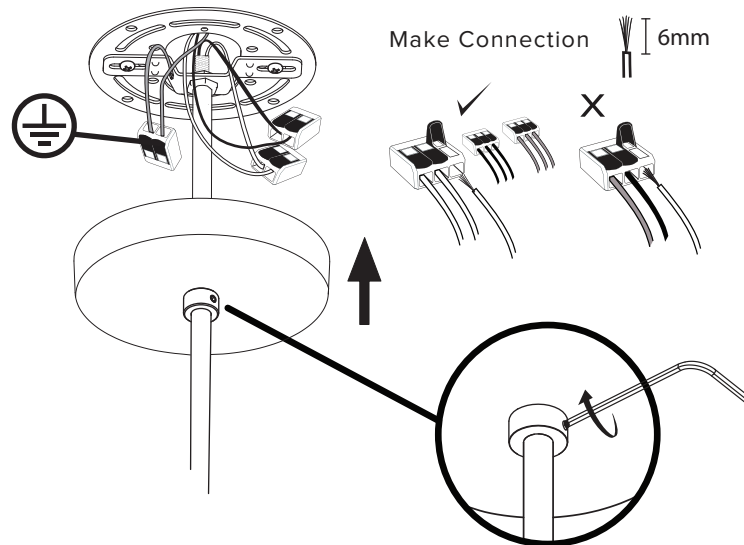
6



7



8

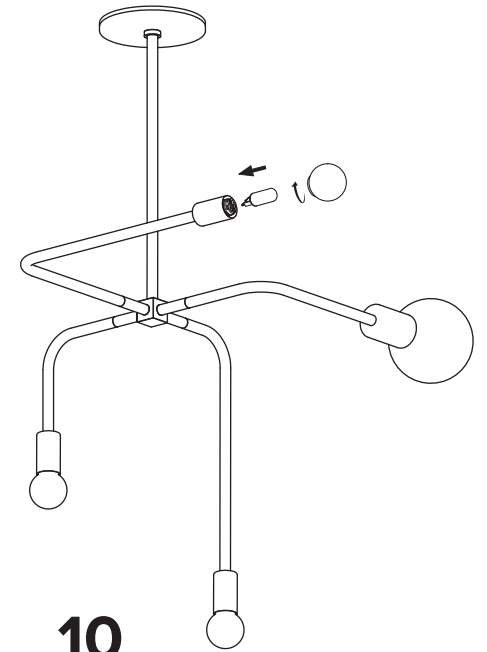


Make Connection

6mm

* Screw gently, but firmly

9



10