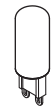


# BEAUBIEN DOUBLE SHADE

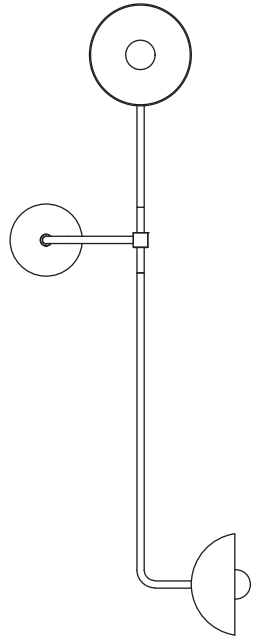
3 x 

1 x 

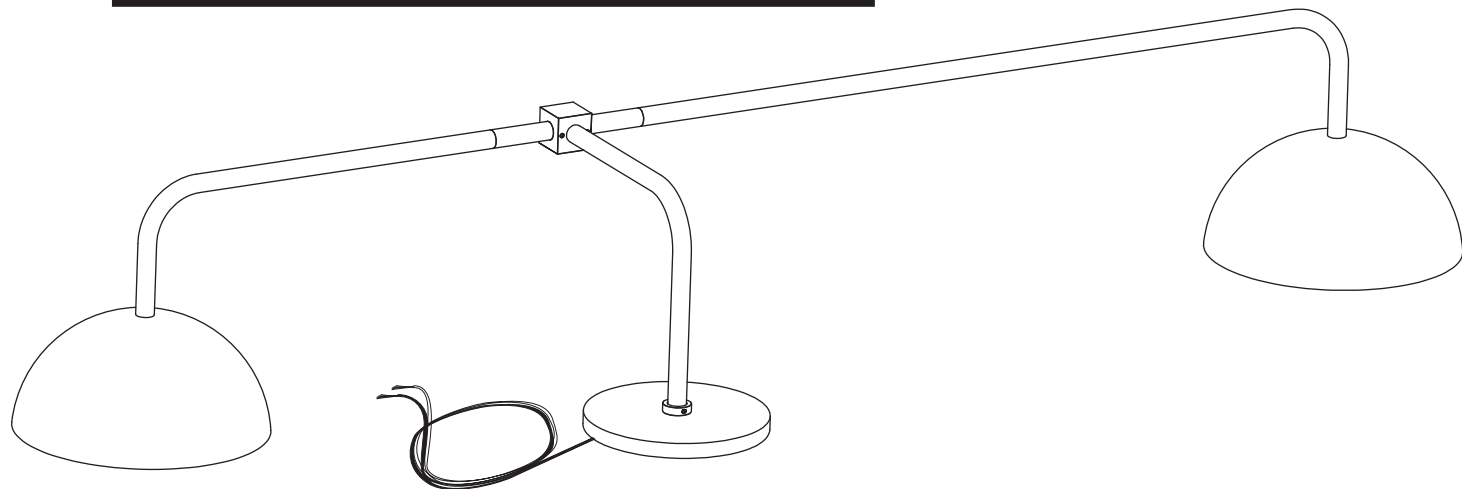
1 x 

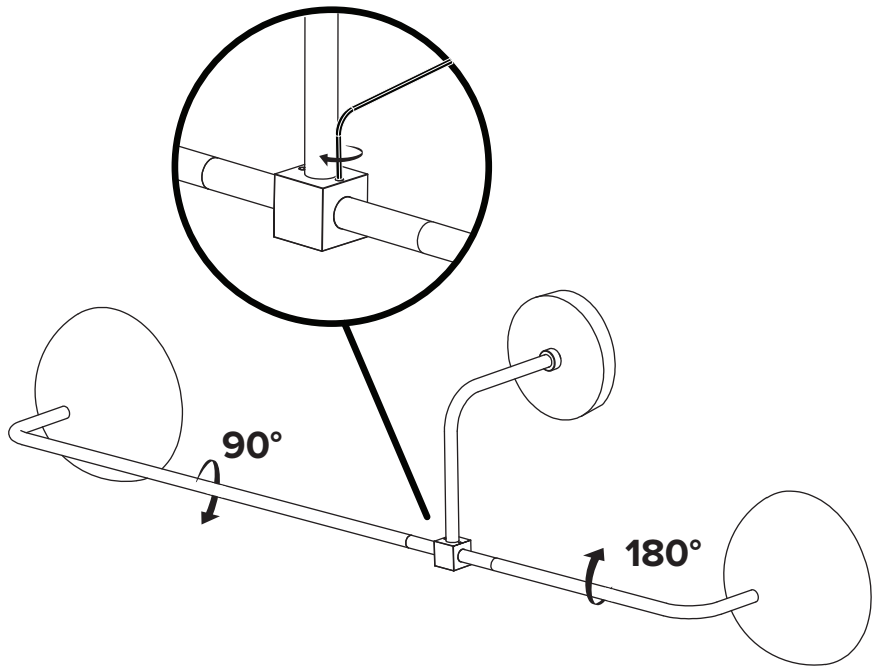
2 x   
3.5W

2 x   
G50

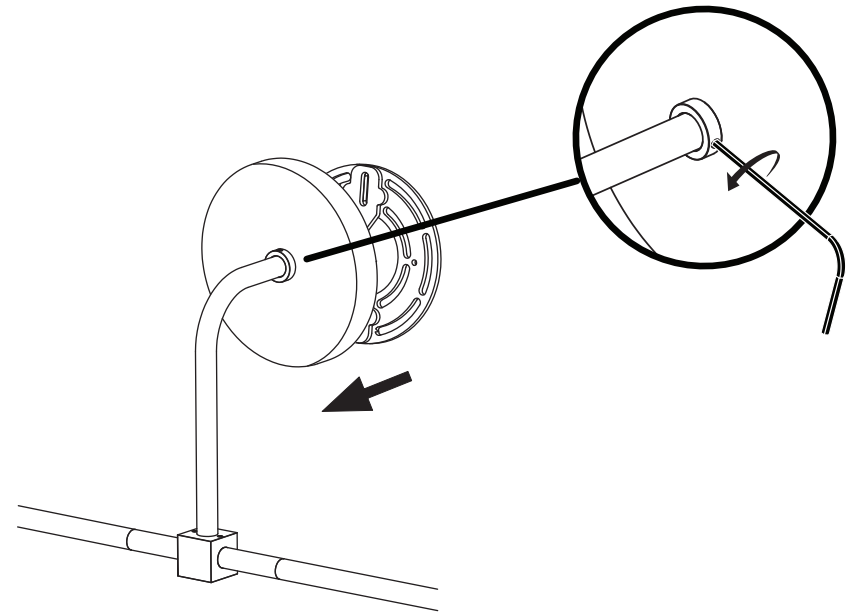


- To be installed by an electrician to an electrical box
- Use appropriate screws and anchors where necessary
- Wear enclosed gloves when handling lamp
- Handle materials with care. Please consult lamp maintenance sheet on our web site
- Wall mount only

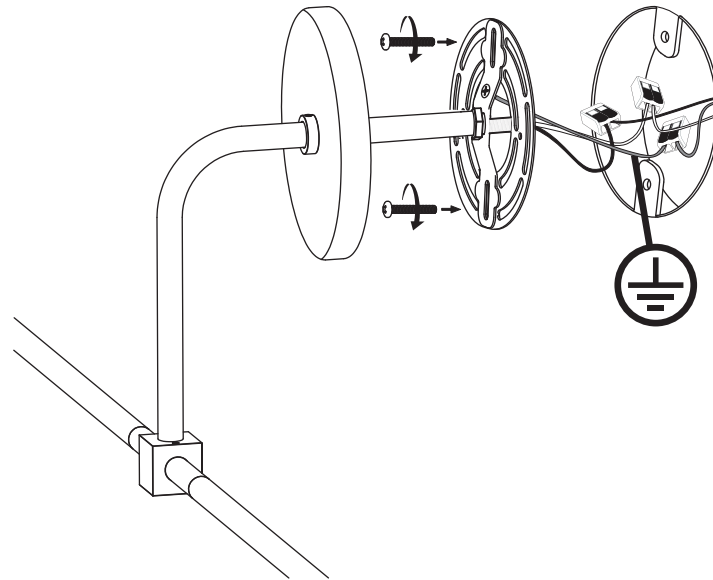




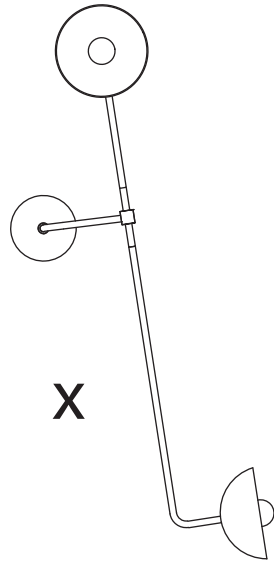
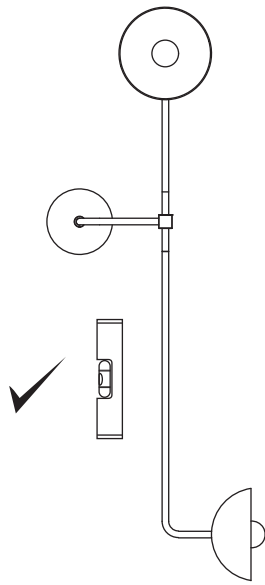
**1**



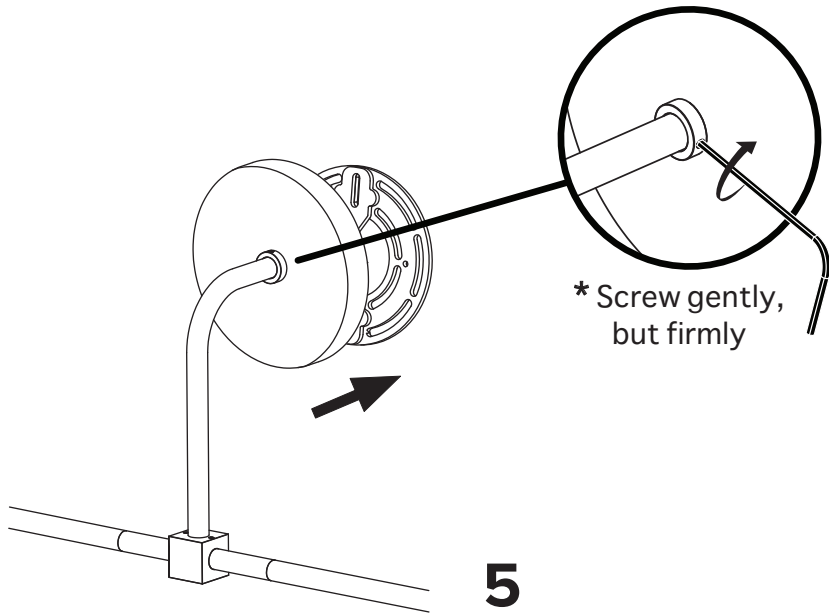
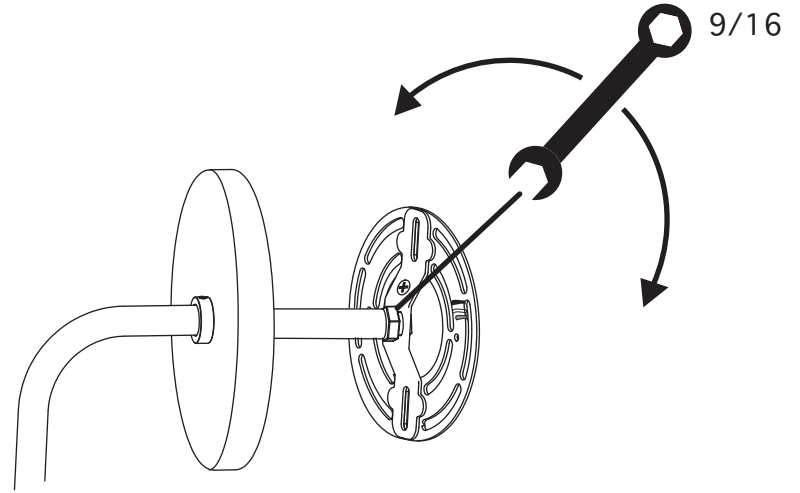
**2**



**3**

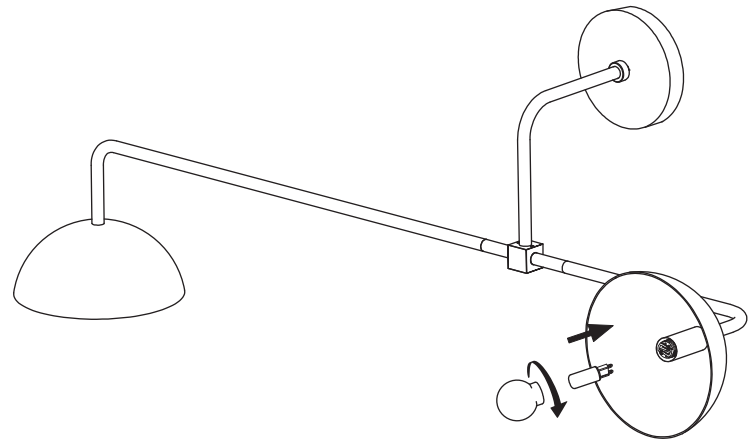


**4**



\* Screw gently,  
but firmly

**5**



**6**