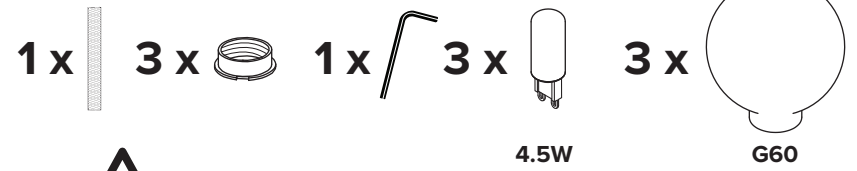
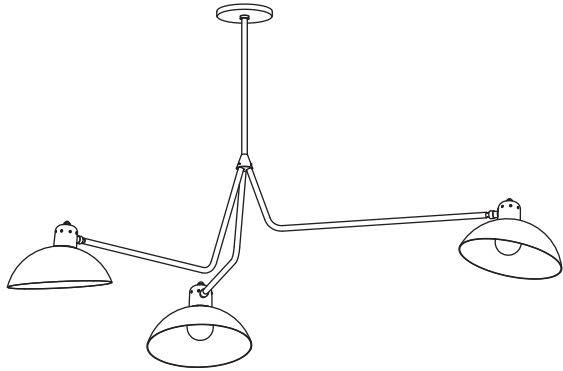




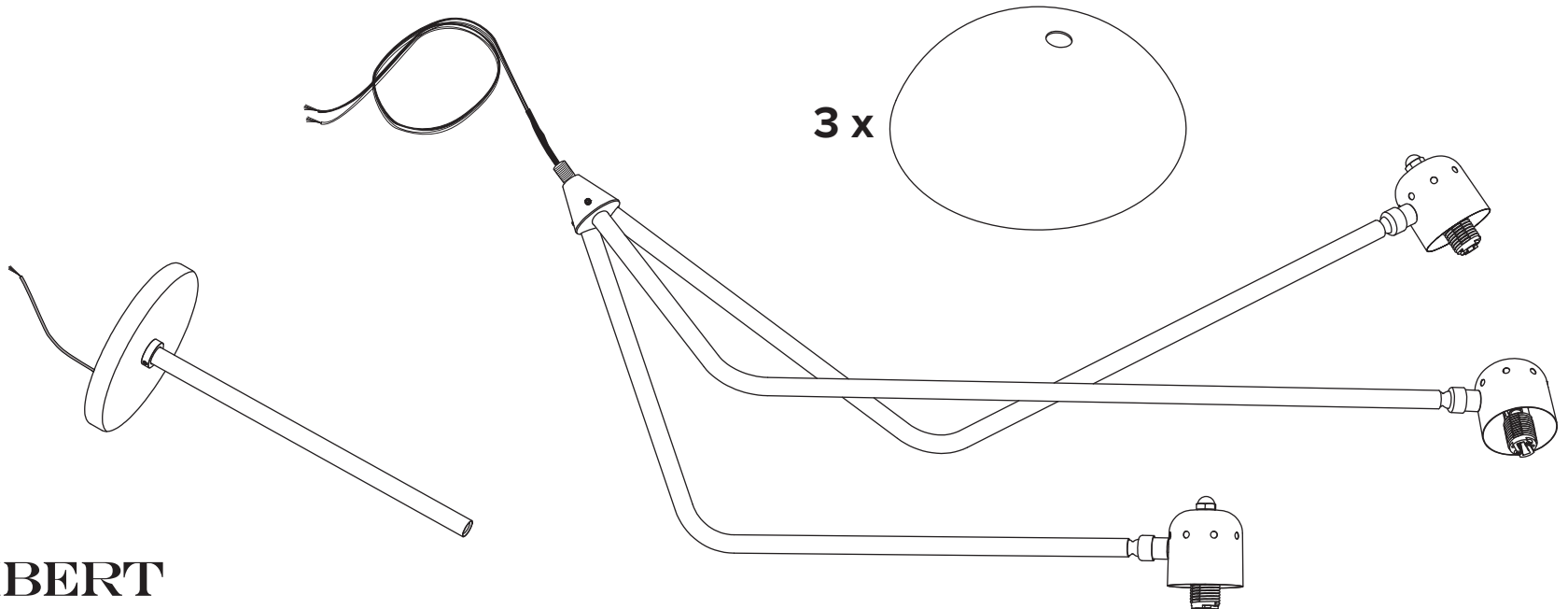
WALDORF TRIPLE

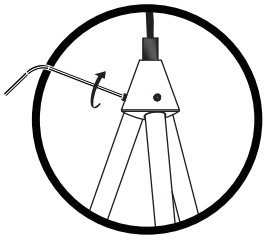




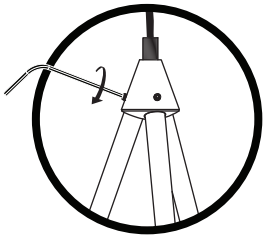
- To be installed by an electrician to an electrical box
- Use appropriate screws and anchors where necessary
- Wear enclosed gloves when handling lamp
- Handle materials with care. Please consult lamp maintenance sheet on our web site



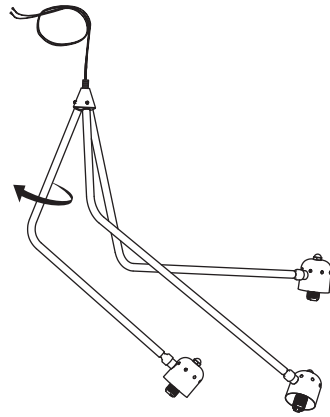




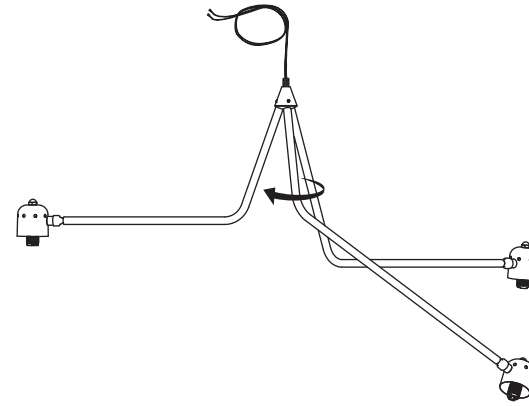
Loosen set screw, position arm,
re-tighten set screw.
Do not pull on arm.



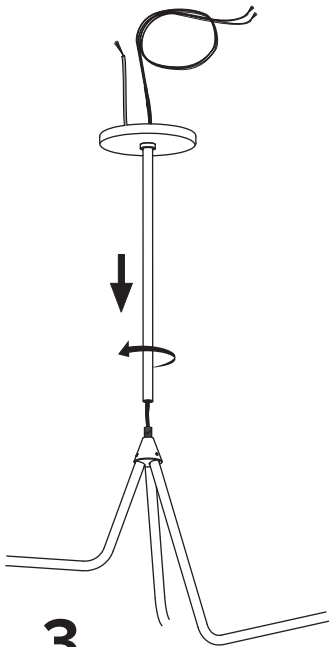
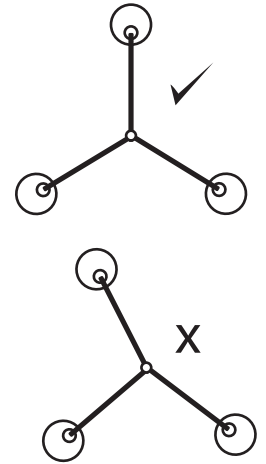
* Screw gently, but firmly



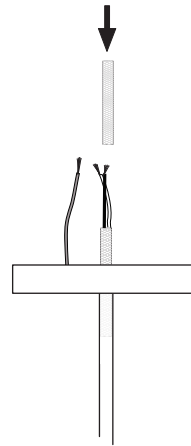
1



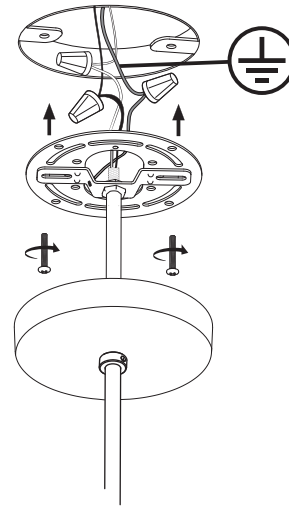
2



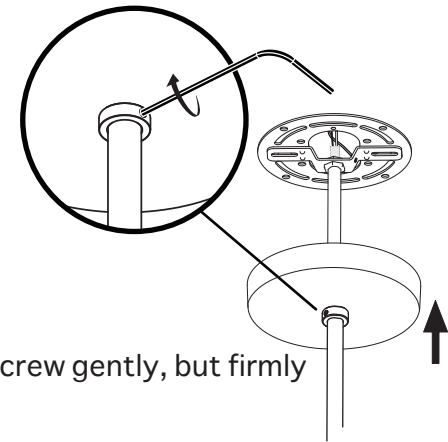
3



4

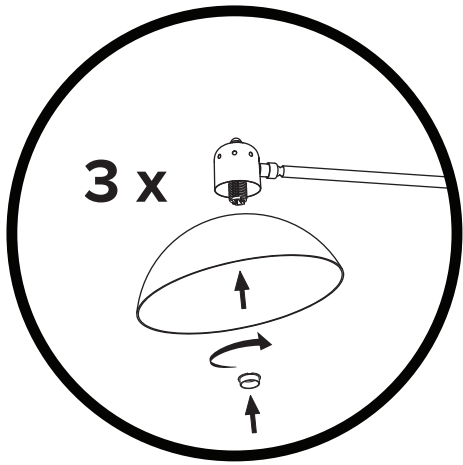


5

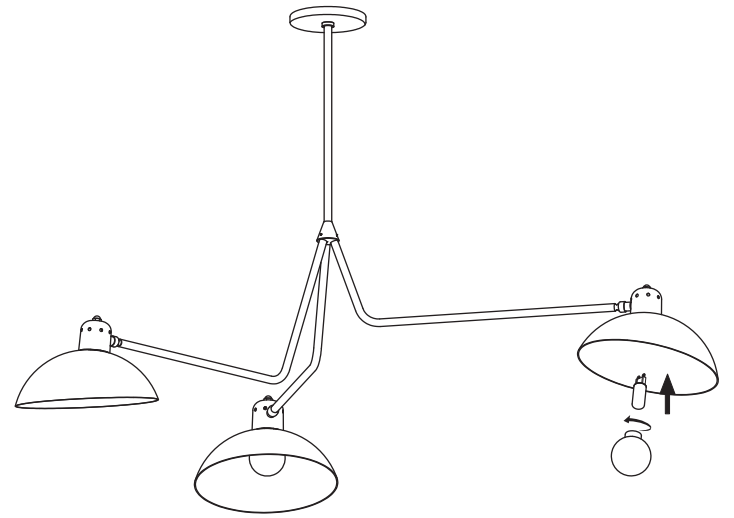
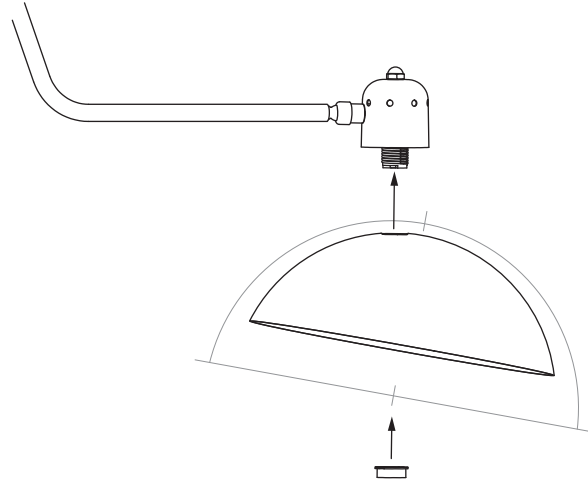


* Screw gently, but firmly

6



6



7

