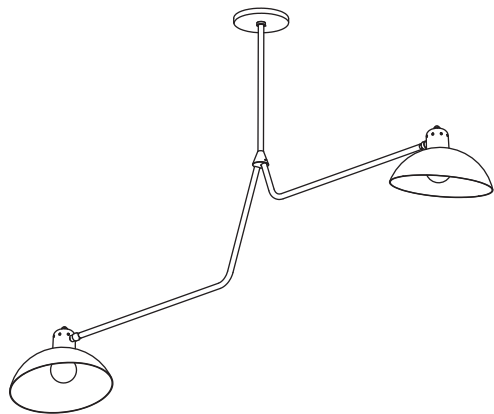
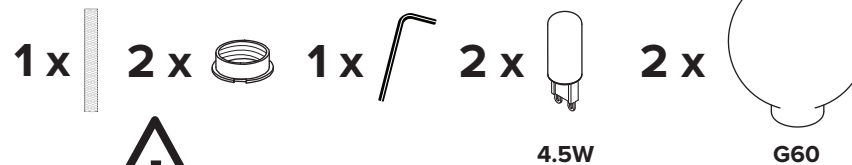




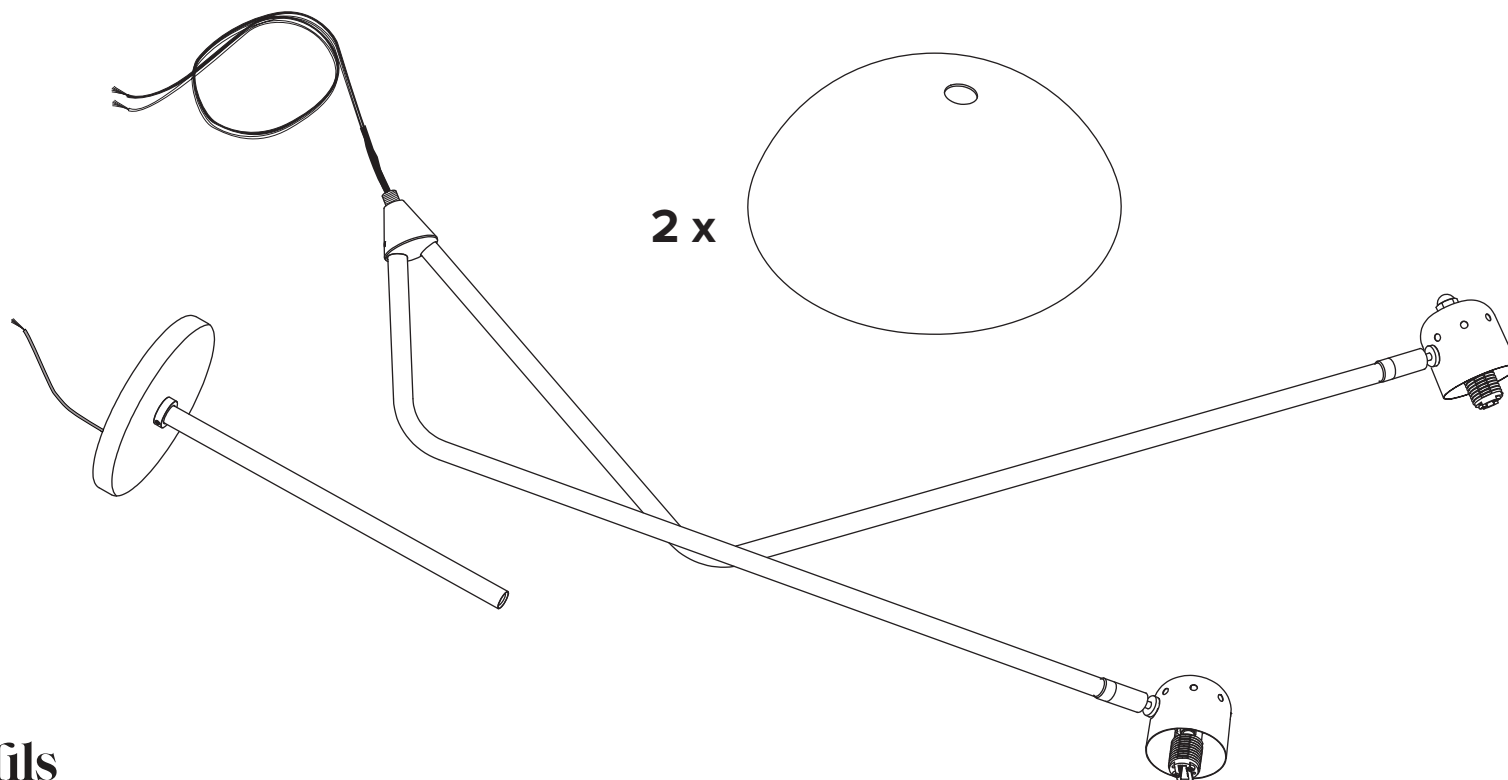
WALDORF DOUBLE

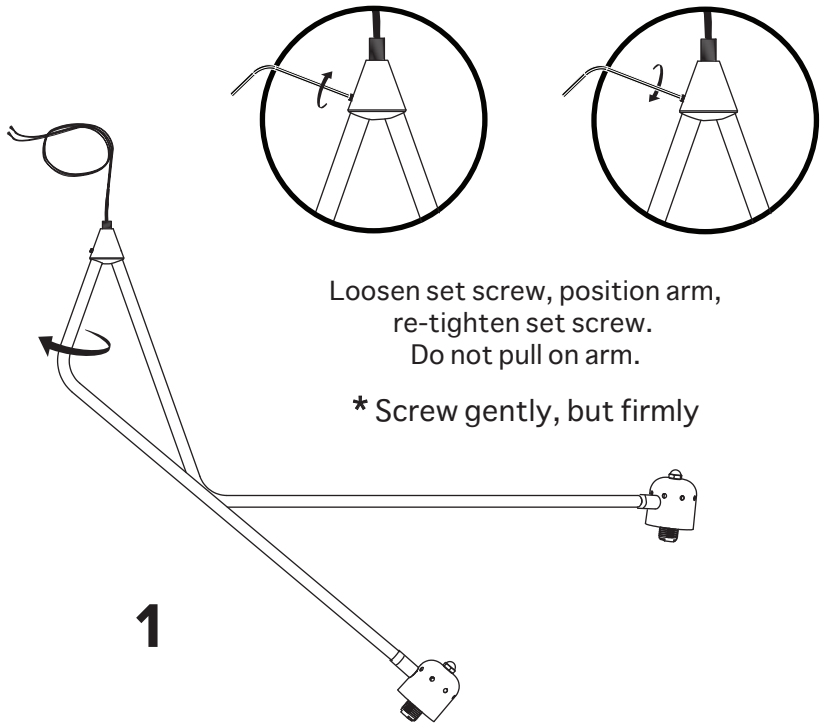




- To be installed by an electrician to an electrical box
- Use appropriate screws and anchors where necessary
- Wear enclosed gloves when handling lamp
- Handle materials with care. Please consult lamp maintenance sheet on our web site



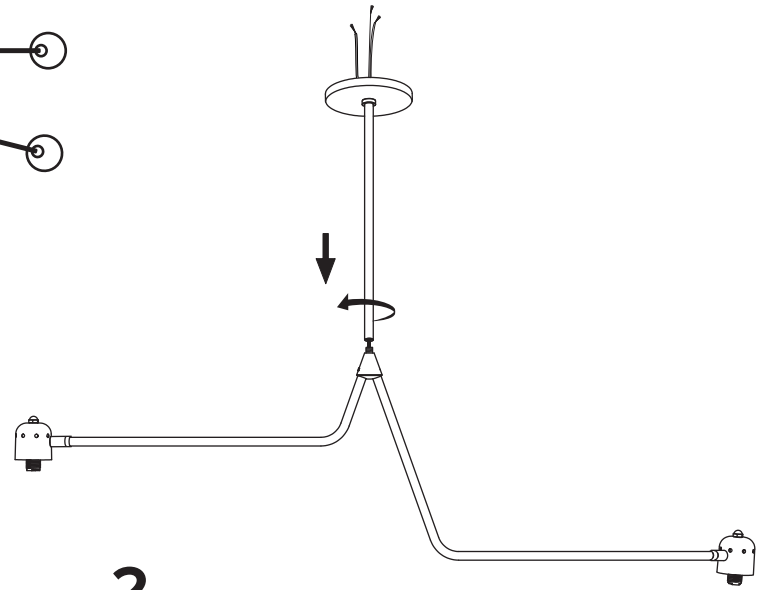
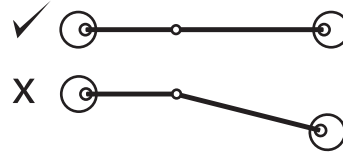




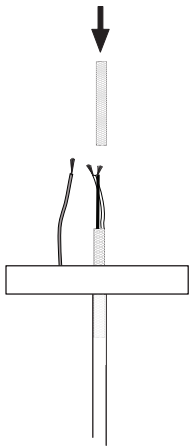
Loosen set screw, position arm,
re-tighten set screw.
Do not pull on arm.

* Screw gently, but firmly

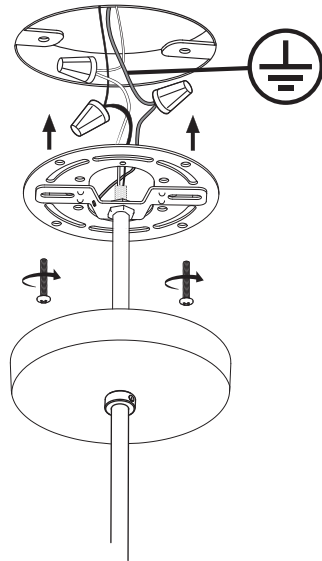
1



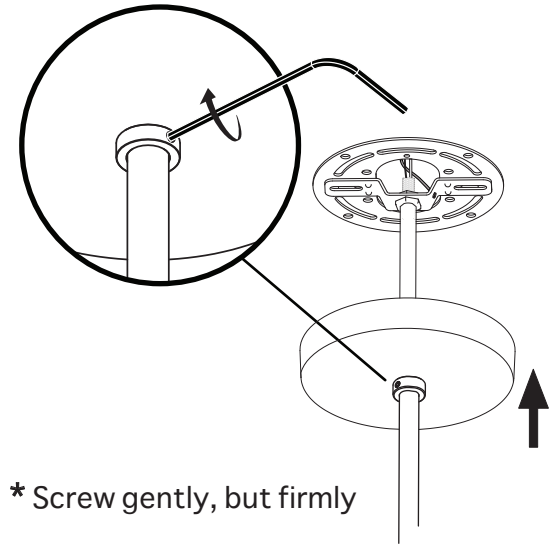
2



3

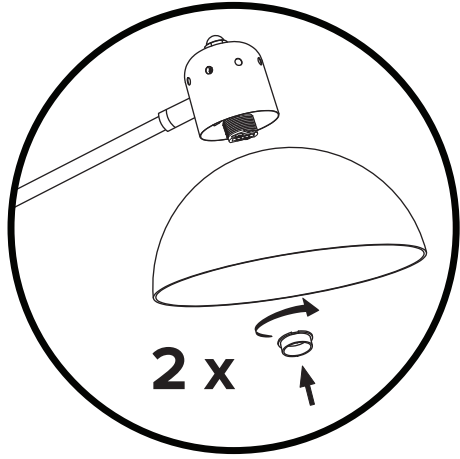


4

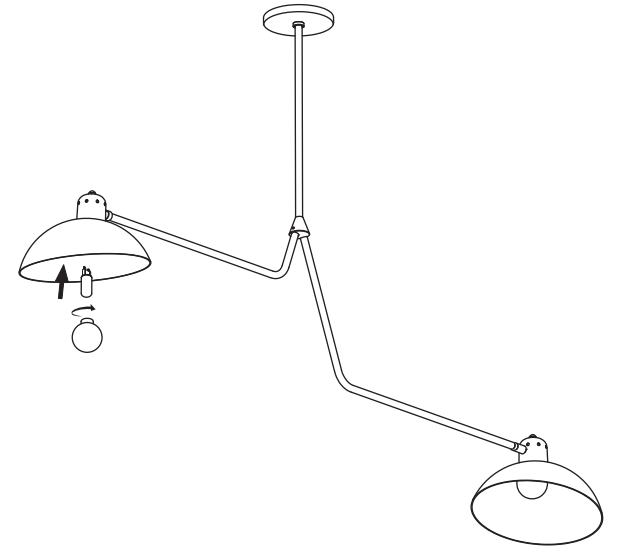
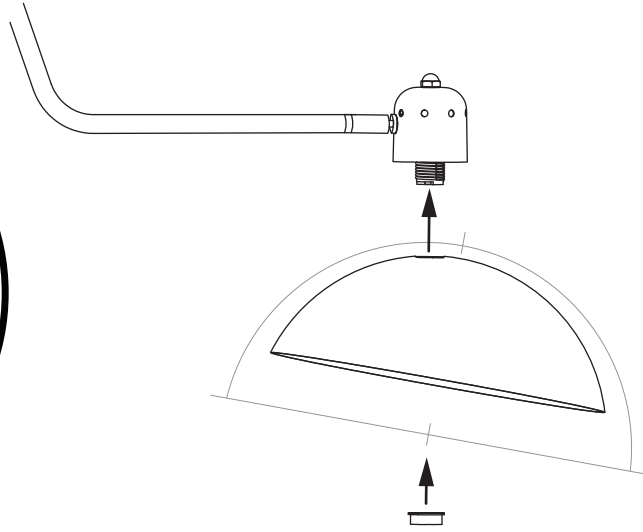


* Screw gently, but firmly

5



6



7

