


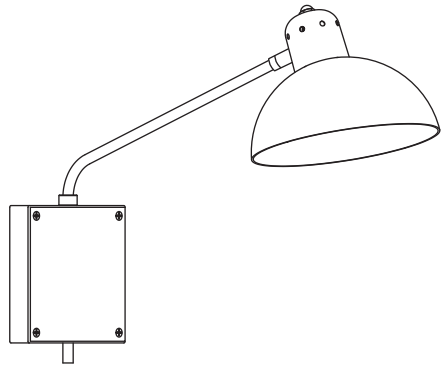
# WALDORF WALL SMALL HARDWARE

1 x 

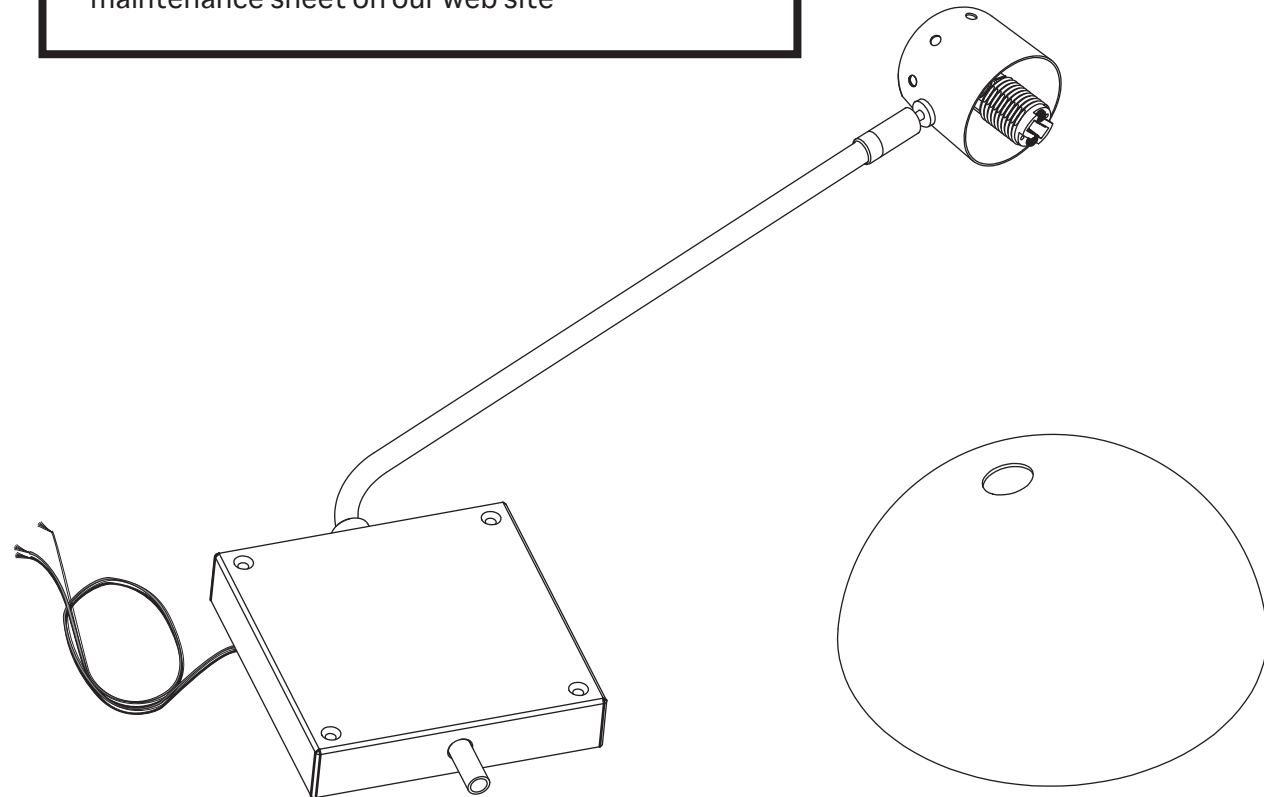
4 x 

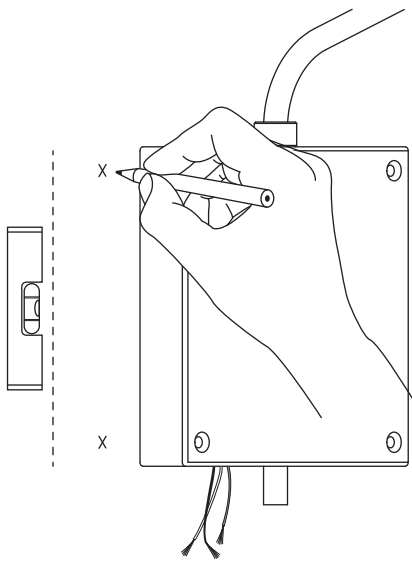
1 x   
4.5W

1 x   
G60

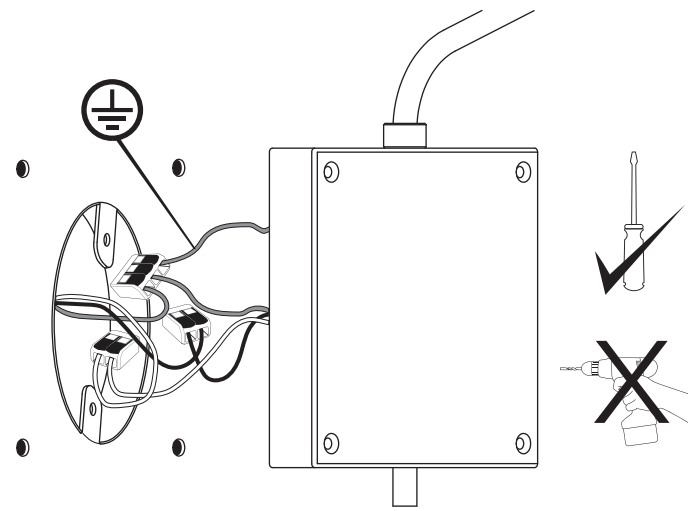


- To be installed by an electrician to an electrical box
- Use appropriate screws and anchors where necessary
- Wear enclosed gloves when handling lamp
- Handle materials with care. Please consult lamp maintenance sheet on our web site

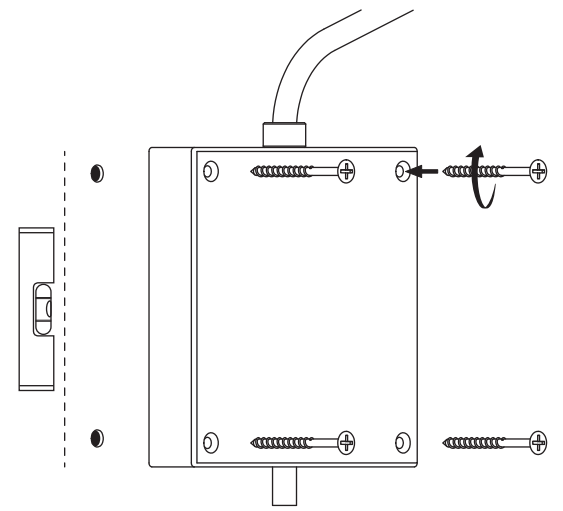




**1**

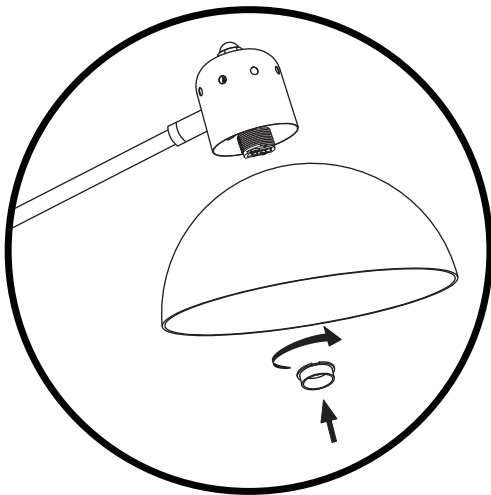


**2**

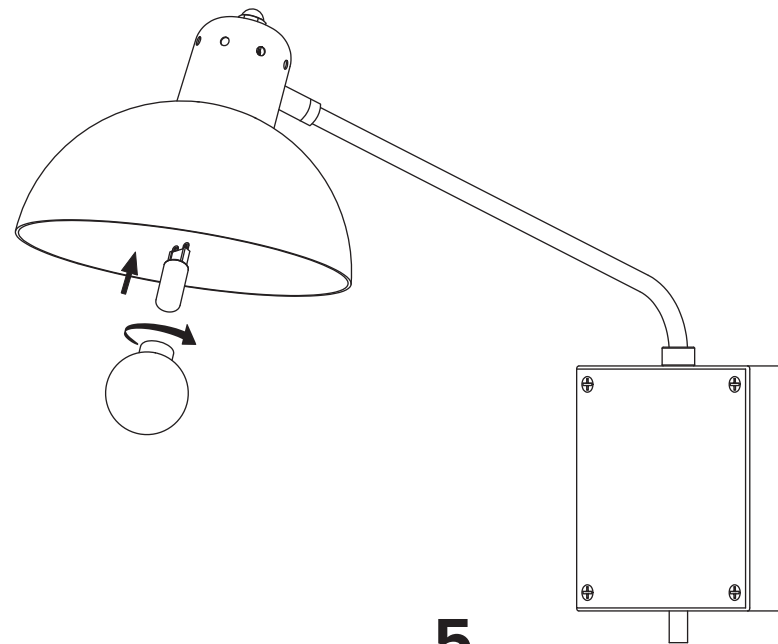


\* Use appropriate anchors

**3**



**4**



**5**

