


WALDORF WALL LARGE



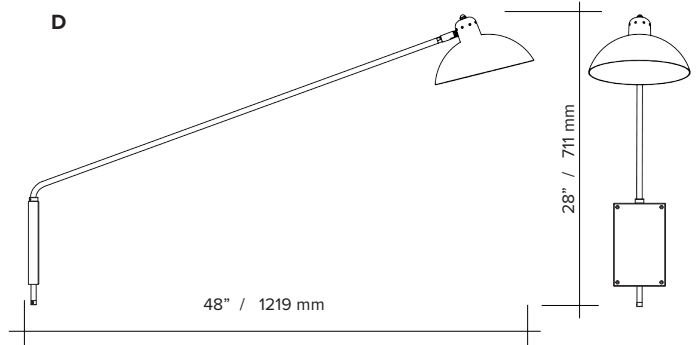
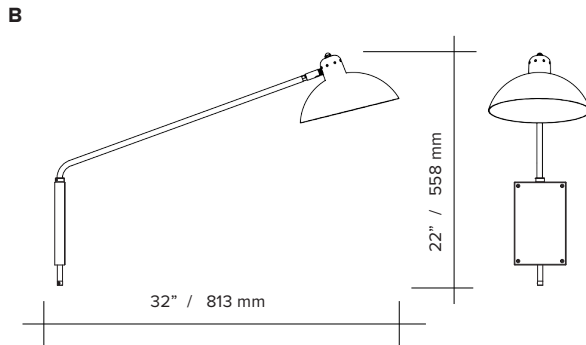
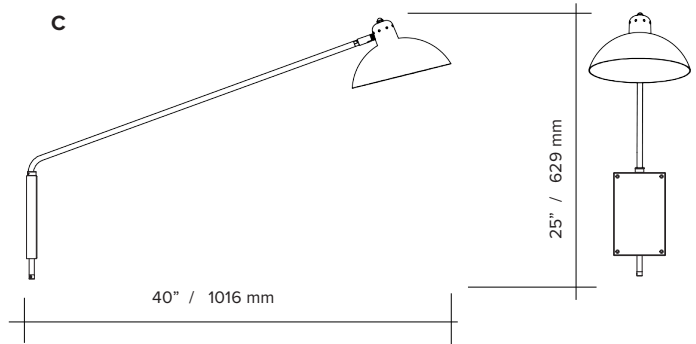
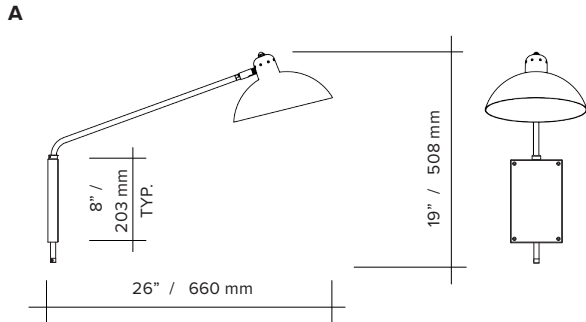
HARDWIRE

SOFTWARE

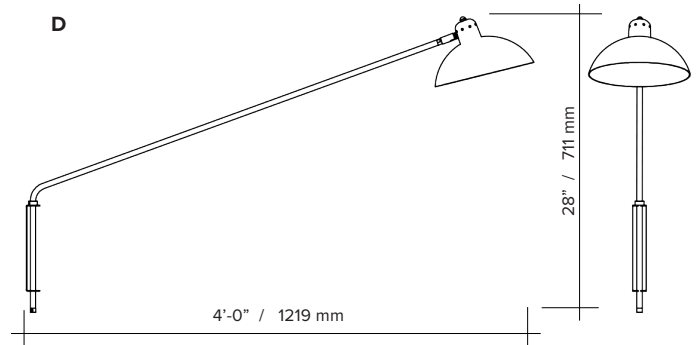
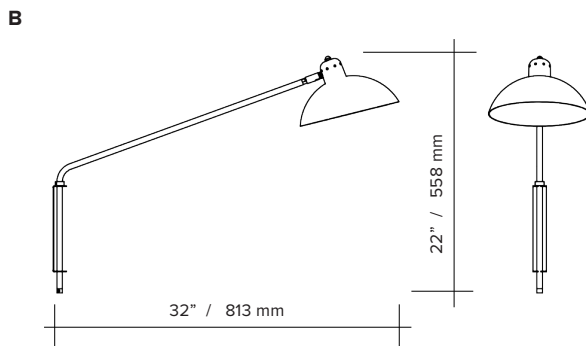
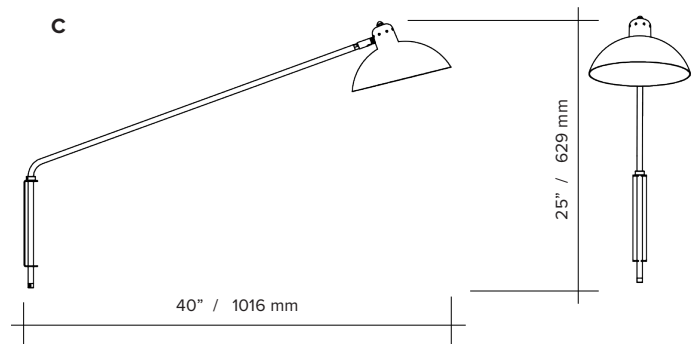
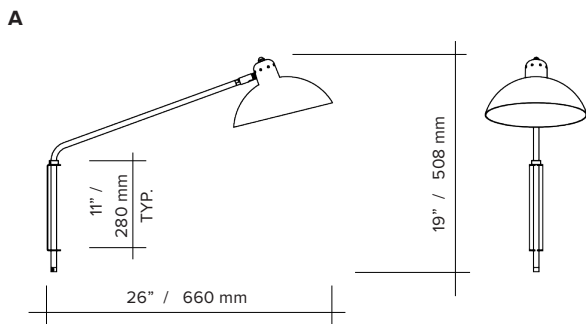


<b>type</b>	wall			
<b>materials</b>	shade :	powder coated steel and aluminium		
	body :	powder coated aluminium		
	sphere :	milk glass (G60)		
	hardware :	brass		
	bracket :	powder coated aluminium		
	wire :	vinyl (SW)		
<b>total length</b>	26"	32"	40"	48"
	660 mm	813 mm	1016 mm	1219 mm
	<b>weight</b>			
	2.2 lb / 1.0 kg			
<b>light bulb</b>				
LED (included), 4,5W				
<b>sockets</b>				
G9				
<b>voltage</b>				
120V / 240V				
<b>dimmer</b>				
refer to our recommended list of dimmer models				
<b>certifications</b>				
				
<b>notes</b>				
<ul style="list-style-type: none"> <li>- must be installed by an electrician (HW)</li> <li>- lead time between 8-9 weeks</li> <li>- dimensions are approximate and may vary slightly</li> </ul>				

## HARDWIRE



## SOFTWARE



## ORDER GUIDE: SKU

COLLECTION	MODEL	FINISH (shade and body, hardware)	INSTALLATION	LENGTH
<b>WAL</b> waldorf	<b>06</b>	<b>BLBR</b> black shade and body, brass hardware <b>BLGR</b> black shade and body, graphite hardware <b>WHBR</b> white shade and body, brass hardware	<b>HW</b> hardwire <b>SW</b> softwire	<b>A</b> 24" / 660 mm <b>B</b> 30" / 813 mm <b>C</b> 40" / 1016 mm <b>D</b> 48" / 1219 mm
<b>WAL</b>	<b>06</b>	<b>BLBR</b>	<b>HW</b>	<b>A</b> = <b>WAL06BLBRHWA</b> <i>example</i>

### FINISH



brass



flat black

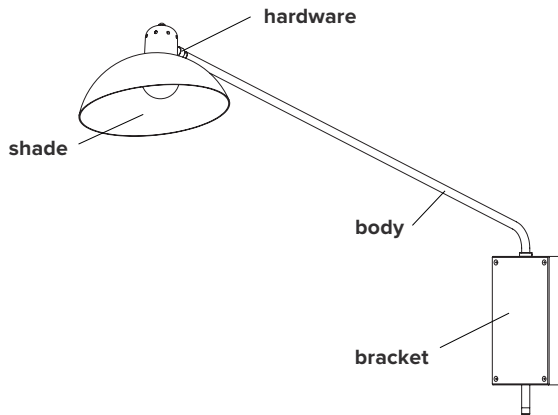


graphite

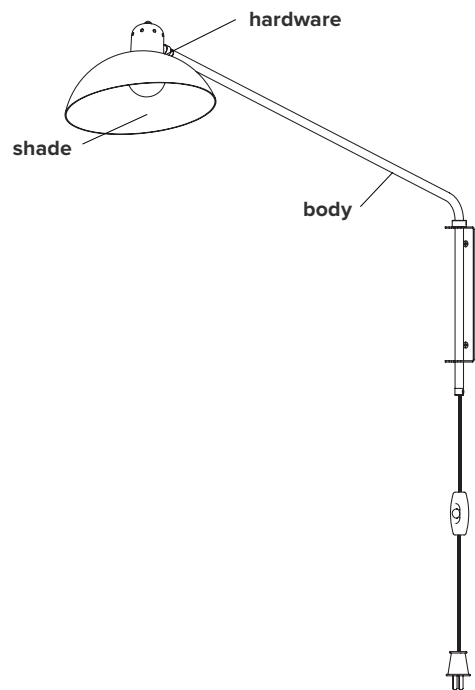


flat white

### HARDWIRE

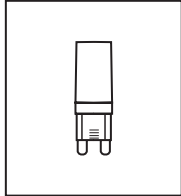


### SOFTWIRE



## LIGHT BULB & DIMMER SPECIFICATIONS

### G9 SOCKETS



Frosted  
4.5W  
100V-120V / 240V  
450 Lumens  
2700 K  
25 000 H  
CRI ≥80  
2 years warranty

### SPHERES



G60  $\varnothing$  ±2" / 60 mm



### DIMMER LIST COMPATIBILITY FOR G9 LED BULBS – 120V

The dimming technology offering the best results is ELV (electronic low voltage) dimmers with reverse phase or trailing edge control.

<u>DIMMER BRAND</u>	<u>MODEL NUMBER</u>	<u>MAX LEVEL</u>	<u>MIN LEVEL</u>	<u>FLICKERING</u>	<u>OVERALL QUOTE</u>
LUTRON - MAESTRO	MAELV-600	100%	0%	0%-10%	good
LUTRON - SKYLARK	SELV-300P	100%	0%	no	very good
LUTRON - SKYLARK	SELV-303P	100%	0%	no	very good
LUTRON - SKYLARK	CTELV-303P	100%	0%	no	very good
LUTRON - DIVA	DVELV-300P	100%	0%	no	very good
LEGRAND - ADORNE	TRUE UNIVERSAL	100%	30%	no	good

### DIMMER LIST COMPATIBILITY FOR G9 LED BULBS – 230V

<u>DIMMER BRAND</u>	<u>MODEL NUMBER</u>	<u>MAX LEVEL</u>	<u>MIN LEVEL</u>	<u>FLICKERING</u>	<u>OVERALL QUOTE</u>
VARILIGHT	V-PRO	100%	2%	no	very good
LEGRAND - NILOÉ	3 996 35	87%	15%	no	good
NIKO	310-0280X	94%	5%	no	very good
NIKO	310-0190X	100%	1%	no	very good

\*Other dimmers can yield good results and we recommend conducting your own test before final installation.