

DOT LINE SUSPENSION



type suspension

materials body : brass (BR) or powder coated aluminium (BL/WH)
 hardware : brass
 sphere : milk glass (G50)
 canopy : brass (BR) or powder coated steel (BL/WH)
 chain : brass (BR) or steel (BL/WH)
 wire : nylon

wire length 96" / 2438 mm

cable length 90" / 2286 mm


weight 1.8 lb / 0.8 kg

light bulb LED (included), 5x 3,5W

sockets G9

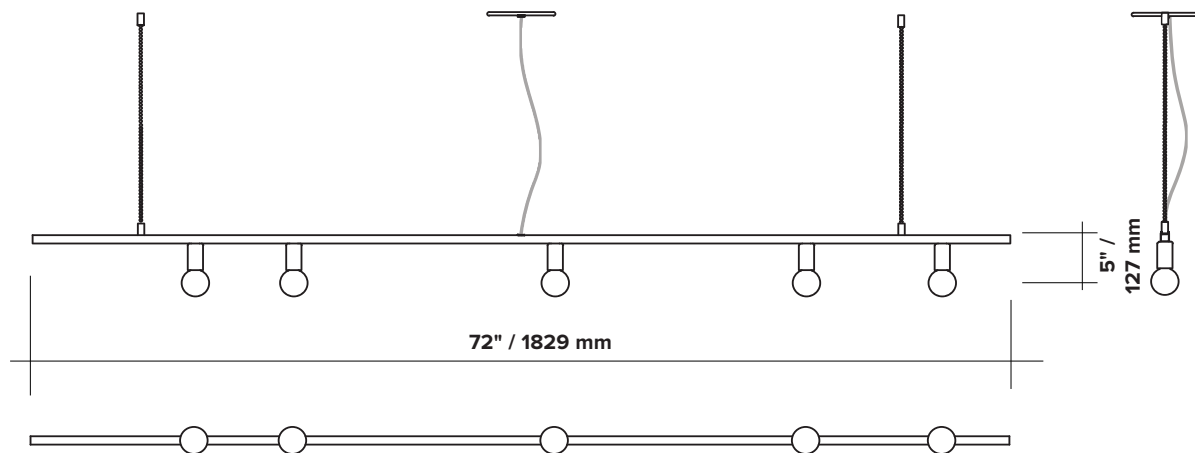
voltage 120V / 240V

dimmer refer to our recommended list of dimmer models

certifications 

notes

- must be installed by an electrician
- additional charges for modifications or for special orders
- lead time between 8-9 weeks
- dimensions are approximate and may vary slightly



ORDER GUIDE: SKU

<u>COLLECTION</u>	<u>MODEL</u>	<u>FINISH</u>
-------------------	--------------	---------------

DOT dot	11	BR brass
----------------	-----------	-----------------

		BL black
--	--	-----------------

		WH white
--	--	-----------------

DOT	11	BR	= DOT11BR example
------------	-----------	-----------	-----------------------------

FINISH



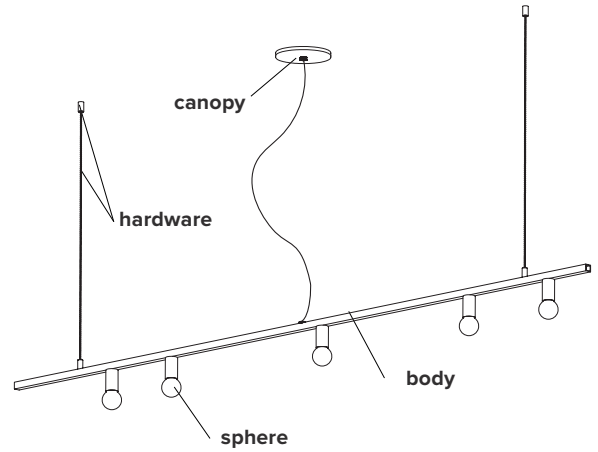
brass



black

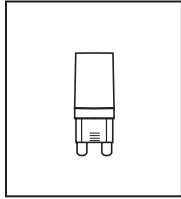


white



LIGHT BULB & DIMMER SPECIFICATIONS

G9 SOCKETS



Frosted
3.5W
100V-120V / 240V
350 Lumens
2700 K
25 000 H
CRI ≥80
2 years warranty



SPHERES



G100 \varnothing ± 4" / 100 mm



G80 \varnothing ± 3" / 80 mm



G60 \varnothing ± 2" / 60 mm



G50 \varnothing ± 2" / 50 mm



tube \varnothing 1" / 27 mm
length ± 2" / 60 mm

DIMMER LIST COMPATIBILITY FOR G9 LED BULBS – 120V

The dimming technology offering the best results is ELV (electronic low voltage) dimmers with reverse phase or trailing edge control.

<u>DIMMER BRAND</u>	<u>MODEL NUMBER</u>	<u>MAX LEVEL</u>	<u>MIN LEVEL</u>	<u>FLICKERING</u>	<u>OVERALL QUOTE</u>
LUTRON - MAESTRO	MAELV-600	100%	0%	0%-10%	good
LUTRON - SKYLARK	SELV-300P	100%	0%	no	very good
LUTRON - SKYLARK	SELV-303P	100%	0%	no	very good
LUTRON - SKYLARK	CTELV-303P	100%	0%	no	very good
LUTRON - DIVA	DVELV-300P	100%	0%	no	very good
LEGRAND - ADORNE	TRUE UNIVERSAL	100%	30%	no	good

DIMMER LIST COMPATIBILITY FOR G9 LED BULBS – 230V

<u>DIMMER BRAND</u>	<u>MODEL NUMBER</u>	<u>MAX LEVEL</u>	<u>MIN LEVEL</u>	<u>FLICKERING</u>	<u>OVERALL QUOTE</u>
VARILIGHT	V-PRO	100%	2%	no	very good
LEGRAND - NILOÉ	3 996 35	87%	15%	no	good
NIKO	310-0280X	94%	5%	no	very good
NIKO	310-0190X	100%	1%	no	very good

*Other dimmers can yield good results and we recommend conducting your own test before final installation.