



## CLIFF WALL



HARDWIRE



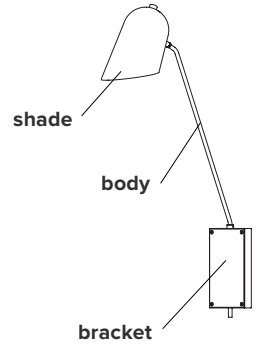
SOFTWARE

<b>type</b>	table	
<b>materials</b>	body :	brass
	shade :	powder coated aluminium
	hardware :	brass
	bracket :	powder coated steel (SW)
		powder coated aluminium (HW)
	wire:	nylon
<b>wire length</b>	96" / 2438 mm switch positioned at 18"/457 mm from body	
<b>weight</b>	2.0 lb / 1.5 kg	
<b>light bulb</b>	incandescent 60 watts max (not included)	
<b>sockets</b>	E26 / E27	
<b>voltage</b>	120V / 240V	
<b>certifications</b>	 	
<b>notes</b>	– lead time between 8-9 weeks – dimensions are approximate and may vary slightly	

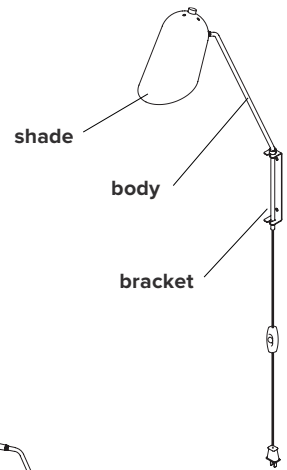
## ORDER GUIDE: SKU

COLLECTION	MODEL	FINISH (shade and body)	INSTALLATION	HARDWARE
CLI cliff	06	<b>BLBR</b> black shade, brass body <b>BLGR</b> black shade, graphite body <b>WHBR</b> white shade, brass body	<b>HW</b> hardwire <b>SW</b> softwire	
CLI	06	BLBR	HW	= CLI06BLBRHW <i>example</i>

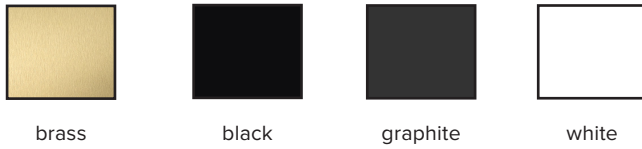
### HARDWARE



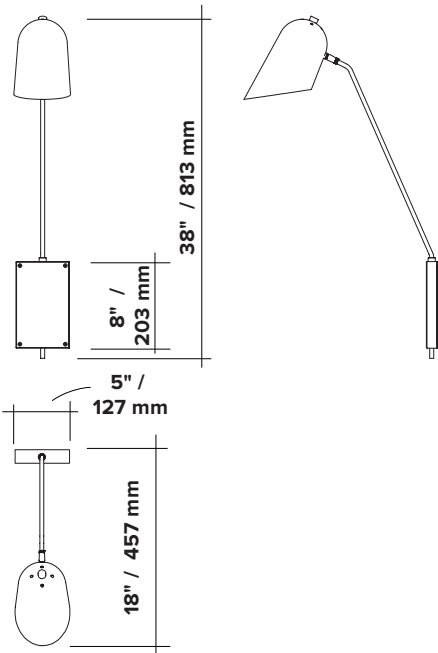
### SOFTWIRE



### FINISH



### HARDWARE



### SOFTWIRE

