


CLIFF WALL



HARDWIRE

SOFTWARE

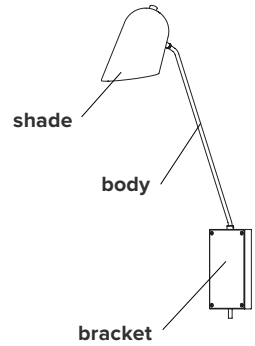


type	table	
materials	body :	brass
	shade :	powder coated aluminium
	hardware :	brass
	bracket :	powder coated steel (SW)
		powder coated aluminium (HW)
	wire:	vinyl
wire length	96" / 2438 mm switch positioned at 18"/457 mm from body	
weight	2.0 lb / 1.5 kg	
light bulb	incandescent 60 watts max (not included)	
sockets	E26 / E27	
voltage	120V / 240V	
certifications		
notes	– lead time between 8-9 weeks – dimensions are approximate and may vary slightly	

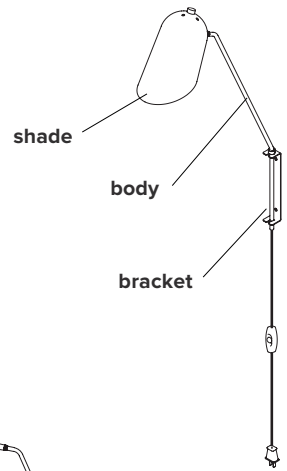
ORDER GUIDE: SKU

COLLECTION	MODEL	FINISH (shade and body)	INSTALLATION
CLI cliff	06	BLBR black shade, brass body BLGR black shade, graphite body WHBR white shade, brass body	HW hardwire SW softwire
CLI	06	BLBR	HW = CLI06BLBRHW <i>example</i>

HARDWIRE



SOFTWIRE



FINISH



brass



flat black

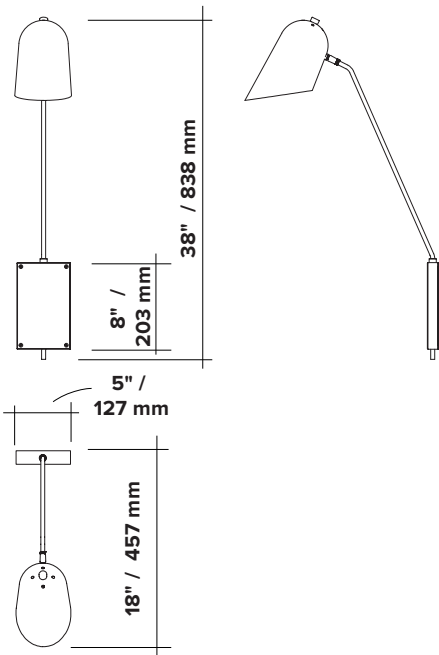


graphite



flat white

HARDWIRE



SOFTWIRE

