

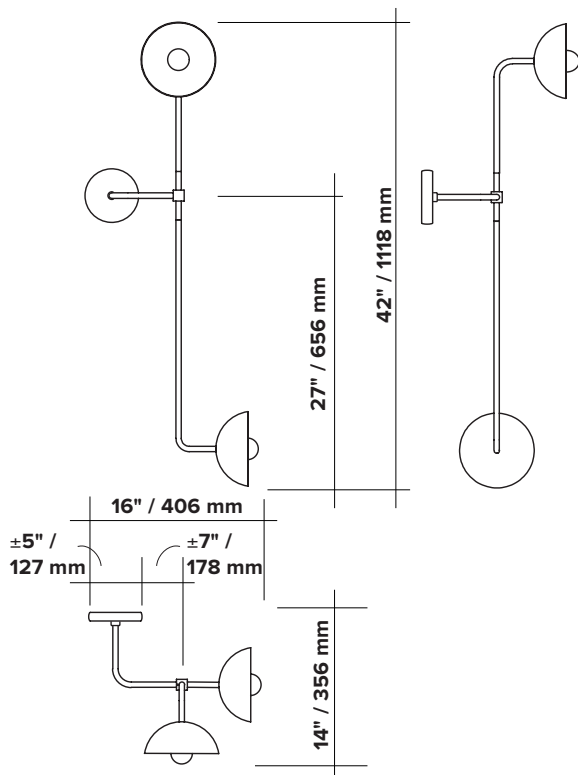


BEAUBIEN DOUBLE SHADE

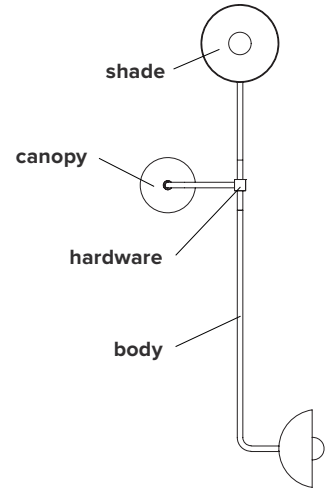


| | | |
|-----------------------|--|----------------------------------|
| type | wall | |
| materials | shade : | powdercoated aluminium |
| | body : | powdercoated steel and aluminium |
| weight | hardware : | brass |
| | sphere : | milk glass (G50) |
| | canopy: | powdercoated steel |
| weight | 3.0 lb / 1.4 kg | |
| light bulb | LED (included), 2 x 3,5W | |
| sockets | G9 | |
| voltage | 120V / 240V | |
| dimmer | refer to our recommended list of dimmer models | |
| certifications |   | |
| notes | <ul style="list-style-type: none"> - must be installed by an electrician; - requires a wall electric box; - lead time between 8-9 weeks - dimensions are approximate and may vary slightly | |



ORDER GUIDE: SKU

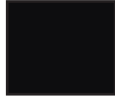
| <u>COLLECTION</u> | <u>MODEL</u> | <u>FINISH (body + hardware)</u> | <u>INSTALLATION</u> |
|---------------------|--------------|---|--|
| BEA beaubien | 04 | BLBR black body brass hardware | A standard |
| | | BLGR black body graphite hardware | B reverse |
| BEA | 04 | BLBR | A = BEA04BLBRA example |



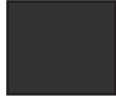
FINISH



brass

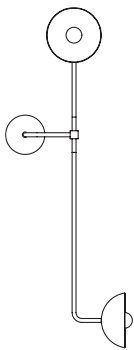


flat black

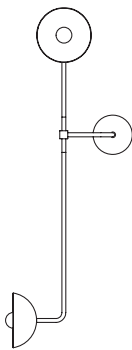


graphite

INSTALLATION



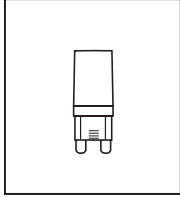
A - standard



B - reverse

LIGHT BULB & DIMMER SPECIFICATIONS

G9 SOCKETS



Frosted
3.5W
100V-120V / 240V
350 Lumens
2700 K
25 000 H
CRI ≥80
2 years warranty

SPHERES



G50 $\varnothing \pm 2'' / 50 \text{ mm}$



DIMMER LIST COMPATIBILITY FOR G9 LED BULBS – 120V

The dimming technology offering the best results is ELV (electronic low voltage) dimmers with reverse phase or trailing edge control.

| <u>DIMMER BRAND</u> | <u>MODEL NUMBER</u> | <u>MAX LEVEL</u> | <u>MIN LEVEL</u> | <u>FLICKERING</u> | <u>OVERALL QUOTE</u> |
|---------------------|---------------------|------------------|------------------|-------------------|----------------------|
| LUTRON - MAESTRO | MAELV-600 | 100% | 0% | 0%-10% | good |
| LUTRON - SKYLARK | SELV-300P | 100% | 0% | no | very good |
| LUTRON - SKYLARK | SELV-303P | 100% | 0% | no | very good |
| LUTRON - SKYLARK | CTELV-303P | 100% | 0% | no | very good |
| LUTRON - DIVA | DVELV-300P | 100% | 0% | no | very good |
| LEGRAND - ADORNE | TRUE UNIVERSAL | 100% | 30% | no | good |

DIMMER LIST COMPATIBILITY FOR G9 LED BULBS – 230V

| <u>DIMMER BRAND</u> | <u>MODEL NUMBER</u> | <u>MAX LEVEL</u> | <u>MIN LEVEL</u> | <u>FLICKERING</u> | <u>OVERALL QUOTE</u> |
|---------------------|---------------------|------------------|------------------|-------------------|----------------------|
| VARILIGHT | V-PRO | 100% | 2% | no | very good |
| LEGRAND - NILOÉ | 3 996 35 | 87% | 15% | no | good |
| NIKO | 310-0280X | 94% | 5% | no | very good |
| NIKO | 310-0190X | 100% | 1% | no | very good |

*Other dimmers can yield good results and we recommend conducting your own test before final installation.