



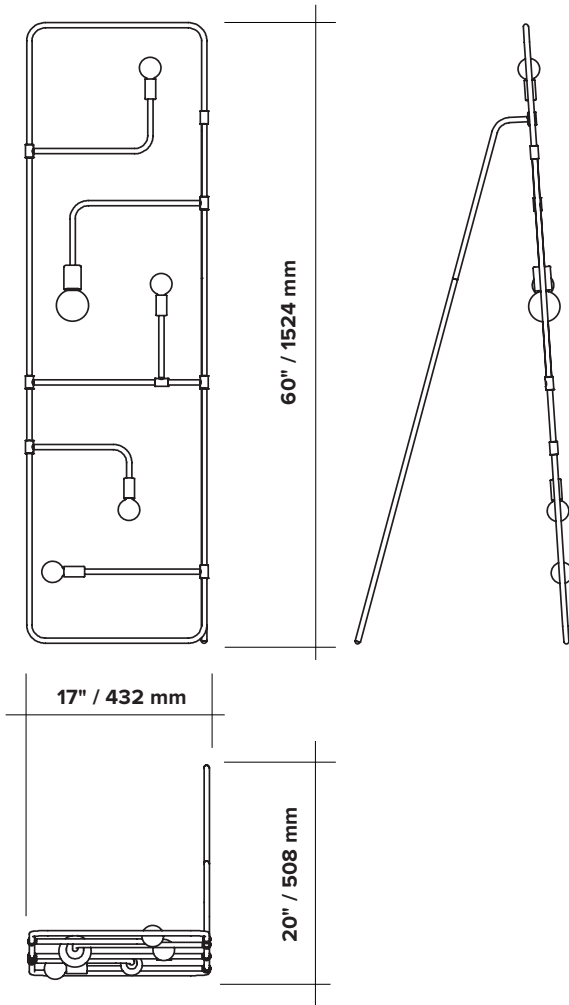
BEAUBIEN



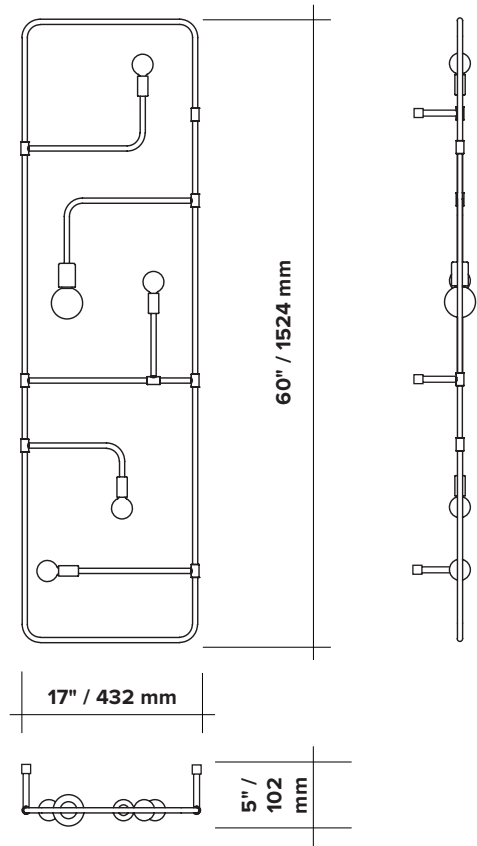
- type** ceiling (CE), floor (FL) and wall (WA)
- materials** body : powdercoated steel and aluminium
hardware : brass
sphere : milk glass (G50 + G80)
chains : brass (CE)
wire: nylon (CE) / vynil (FL/WA)
- wire length** 120" / 3048 mm
footswitch positioned at 60" from body
- weight** starting at 7.5 lb / 3.4 kg
- light bulb** LED (included), 1 x 4,5W + 3 x 3,5W
- sockets** G9
- voltage** 120V / 240V
- dimmer** For ceiling installation only
refer to our recommended list of dimmer models
- certifications**  
- notes**
- additional charges for modifications or for special orders
 - lead time between 8-9 weeks
 - dimensions are approximate and may vary slightly



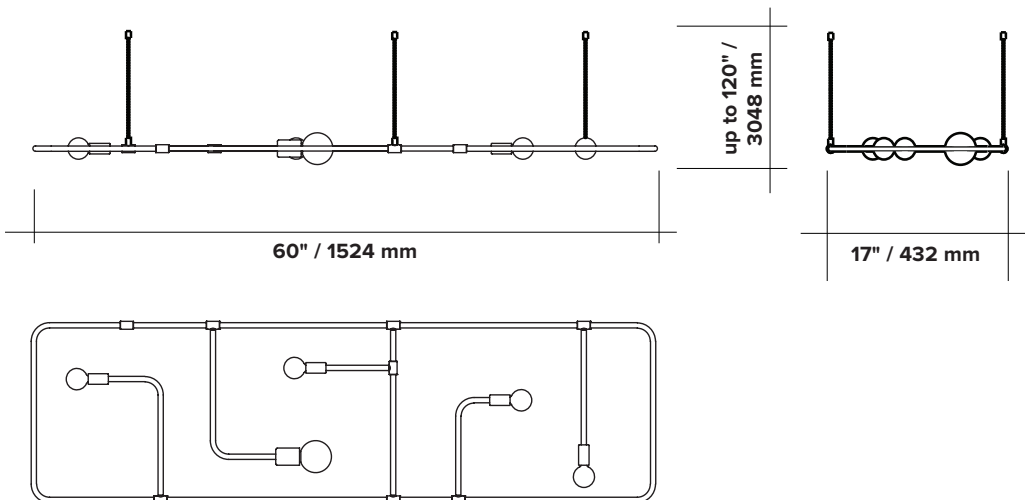
FLOOR



WALL

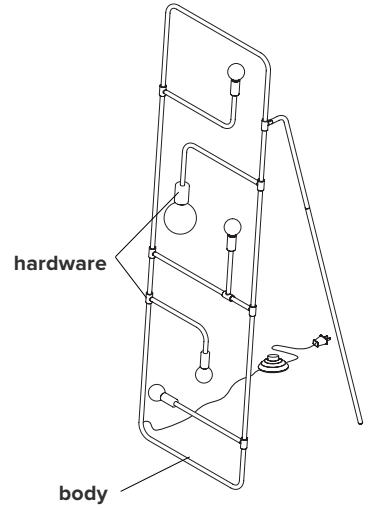


CEILING

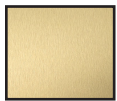


ORDER GUIDE: SKU

<u>COLLECTION</u>	<u>MODEL</u>	<u>INSTALLATION</u>	<u>FINISH (body + hardware)</u>
BEA beaubien	01	CE ceiling FL floor WA wall	BLBR black body brass hardware BLGR black body graphite hardware
BEA	01	CE	BLBR = BEA01CEBLBR example



FINISH



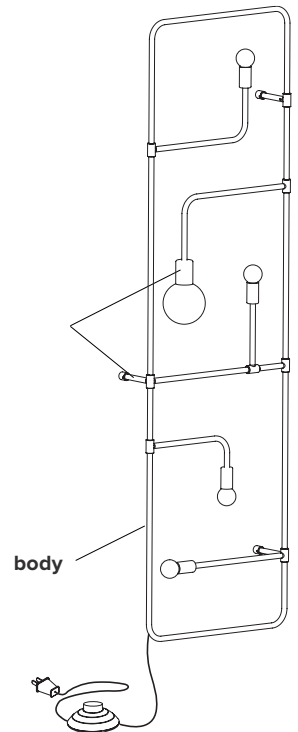
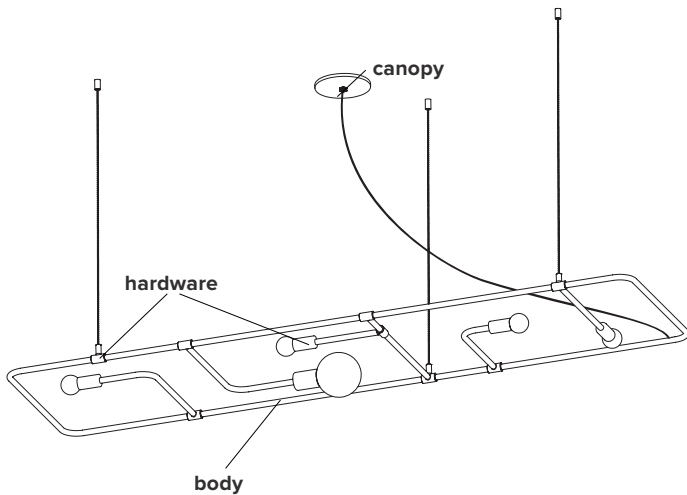
brass



black

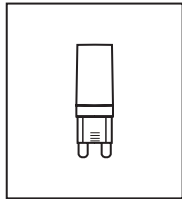


graphite

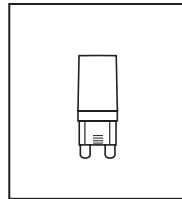


LIGHT BULB

G9 SOCKETS



Frosted
4.5W
100V-120V / 240V
450 Lumens
2700 K
25 000 H
CRI ≥80
2 years warranty



Frosted
3.5W
100V-120V / 240V
350 Lumens
2700 K
25 000 H
CRI ≥80
2 years warranty



SPHERES



G100 Ø ±4" / 100 mm



G80 Ø ±3" / 80 mm



G60 Ø ±2" / 60 mm



G50 Ø ±2" / 50 mm



tube Ø 1" / 27 mm
length ±2" / 60 mm

& DIMMER SPECIFICATIONS (CEILING INSTALLATION ONLY)

DIMMER LIST COMPATIBILITY FOR G9 LED BULBS – 120V

The dimming technology offering the best results is ELV (electronic low voltage) dimmers with reverse phase or trailing edge control.

<u>DIMMER BRAND</u>	<u>MODEL NUMBER</u>	<u>MAX LEVEL</u>	<u>MIN LEVEL</u>	<u>FLICKERING</u>	<u>OVERALL QUOTE</u>
LUTRON - MAESTRO	MAELV-600	100%	0%	0%-10%	good
LUTRON - SKYLARK	SELV-300P	100%	0%	no	very good
LUTRON - SKYLARK	SELV-303P	100%	0%	no	very good
LUTRON - SKYLARK	CTELV-303P	100%	0%	no	very good
LUTRON - DIVA	DVELV-300P	100%	0%	no	very good
LEGRAND - ADORNE	TRUE UNIVERSAL	100%	30%	no	good

DIMMER LIST COMPATIBILITY FOR G9 LED BULBS – 230V

<u>DIMMER BRAND</u>	<u>MODEL NUMBER</u>	<u>MAX LEVEL</u>	<u>MIN LEVEL</u>	<u>FLICKERING</u>	<u>OVERALL QUOTE</u>
VARILIGHT	V-PRO	100%	2%	no	very good
LEGRAND - NILOÉ	3 996 35	87%	15%	no	good
NIKO	310-0280X	94%	5%	no	very good
NIKO	310-0190X	100%	1%	no	very good

*Other dimmers can yield good results and we recommend conducting your own test before final installation.