


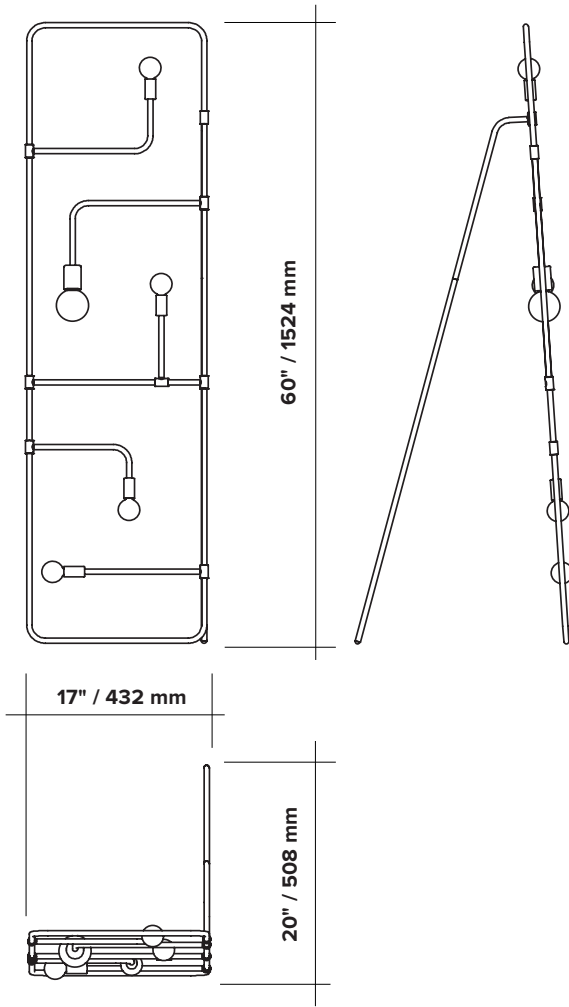
BEAUBIEN



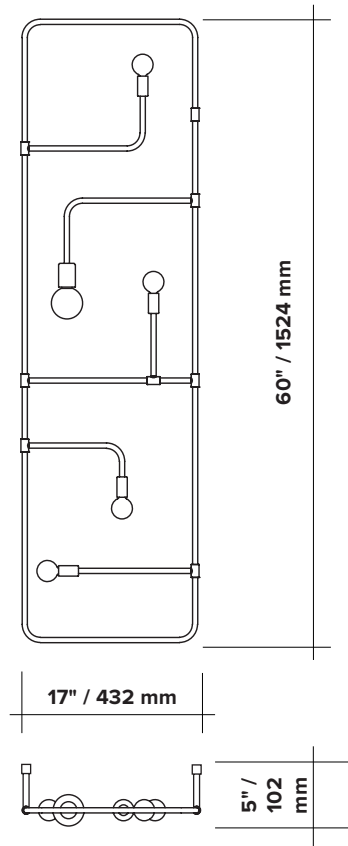
type	ceiling (CE), floor (FL) and wall (WA)	
materials	body :	powdercoated steel and aluminium or brass
	hardware :	brass
	sphere :	milk glass (G50 + G80)
	chains :	brass (CE)
	wire:	nylon/polyester
wire length	120" / 3048 mm footswitch positioned at 60" from body	
weight	starting at 7.5 lb / 3.4 kg	
light bulb	LED (included), 1 x 4,5W + 3 x 3,5W	
sockets	G9	
voltage	120V / 240V	
dimmer	For ceiling installation only refer to our recommended list of dimmer models	
certifications		
notes	– additional charges for modifications or for special orders – lead time between 8-9 weeks – dimensions are approximate and may vary slightly	



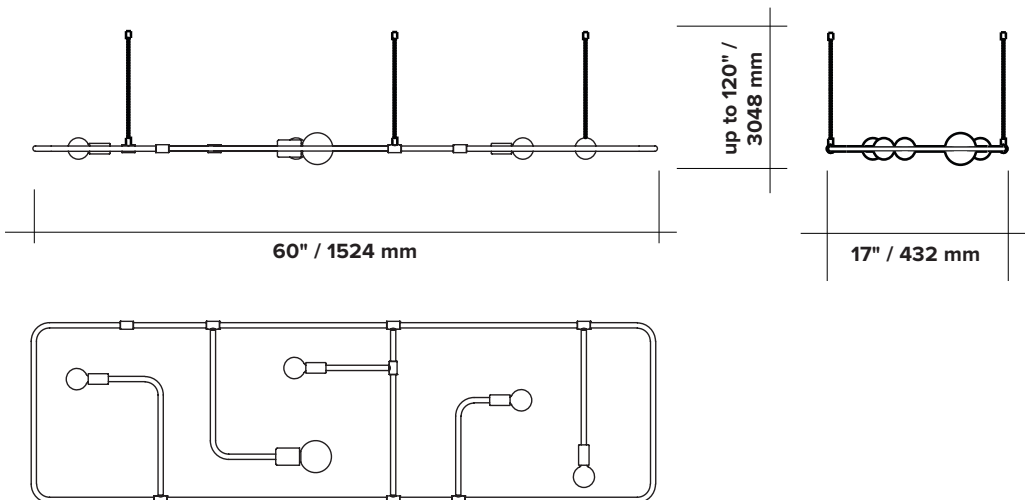
FLOOR



WALL

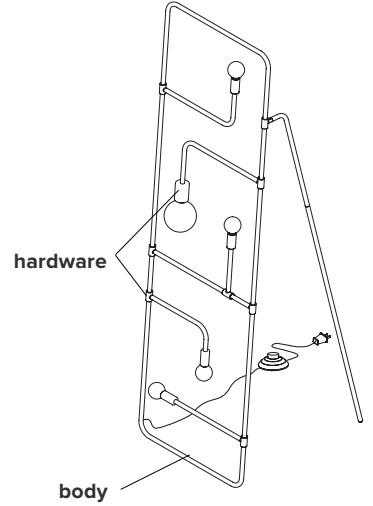


CEILING



ORDER GUIDE: SKU

COLLECTION	MODEL	INSTALLATION	FINISH (body + hardware)
BEA beaubien	01	CE ceiling FL floor WASW wall softwire WAHW wall hardwire	BLBR black body brass hardware BLGR black body graphite hardware BRBR brass body brass hardware
BEA	01	CE	BLBR = BEA01CEBLBR <i>example</i>



FINISH



brass



flat black

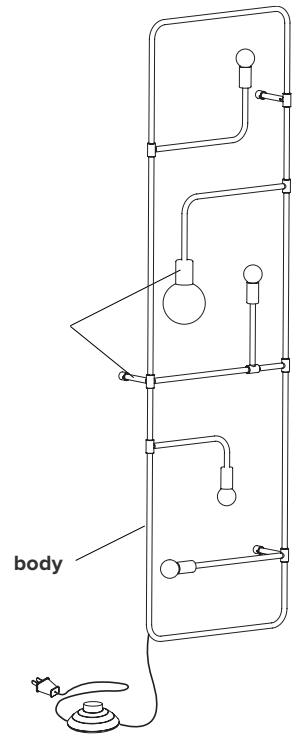
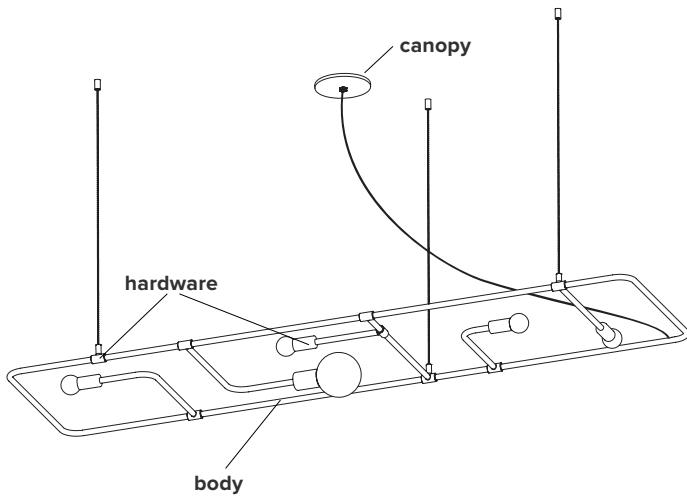


graphite

CANOPY COLOR

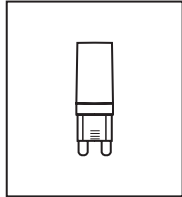


flat white

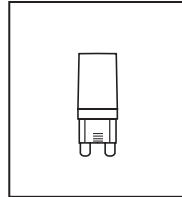


LIGHT BULB

G9 SOCKETS



Frosted
4.5W
100V-120V / 240V
450 Lumens
2700 K
25 000 H
CRI ≥80
2 years warranty



Frosted
3.5W
100V-120V / 240V
350 Lumens
2700 K
25 000 H
CRI ≥80
2 years warranty



SPHERES



G80 $\varnothing \pm 3" / 80 \text{ mm}$



G50 $\varnothing \pm 2" / 50 \text{ mm}$

& DIMMER SPECIFICATIONS (CEILING INSTALLATION ONLY)

DIMMER LIST COMPATIBILITY FOR G9 LED BULBS – 120V

The dimming technology offering the best results is ELV (electronic low voltage) dimmers with reverse phase or trailing edge control.

<u>DIMMER BRAND</u>	<u>MODEL NUMBER</u>	<u>MAX LEVEL</u>	<u>MIN LEVEL</u>	<u>FLICKERING</u>	<u>OVERALL QUOTE</u>
LUTRON - MAESTRO	MAELV-600	100%	0%	0%-10%	good
LUTRON - SKYLARK	SELV-300P	100%	0%	no	very good
LUTRON - SKYLARK	SELV-303P	100%	0%	no	very good
LUTRON - SKYLARK	CTELV-303P	100%	0%	no	very good
LUTRON - DIVA	DVELV-300P	100%	0%	no	very good
LEGRAND - ADORNE	TRUE UNIVERSAL	100%	30%	no	good

DIMMER LIST COMPATIBILITY FOR G9 LED BULBS – 230V

<u>DIMMER BRAND</u>	<u>MODEL NUMBER</u>	<u>MAX LEVEL</u>	<u>MIN LEVEL</u>	<u>FLICKERING</u>	<u>OVERALL QUOTE</u>
VARILIGHT	V-PRO	100%	2%	no	very good
LEGRAND - NILOÉ	3 996 35	87%	15%	no	good
NIKO	310-0280X	94%	5%	no	very good
NIKO	310-0190X	100%	1%	no	very good

*Other dimmers can yield good results and we recommend conducting your own test before final installation.