



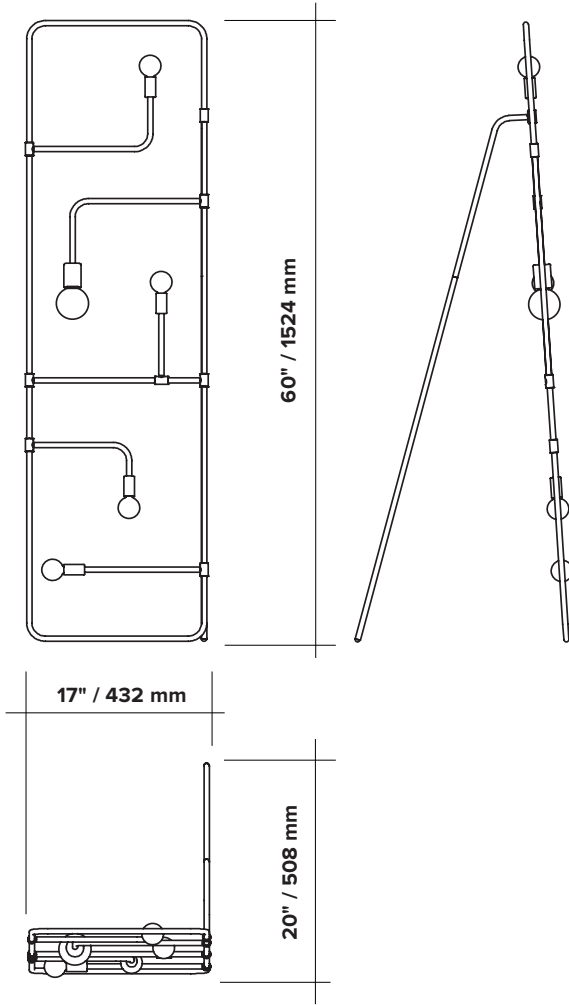
BEAUBIEN



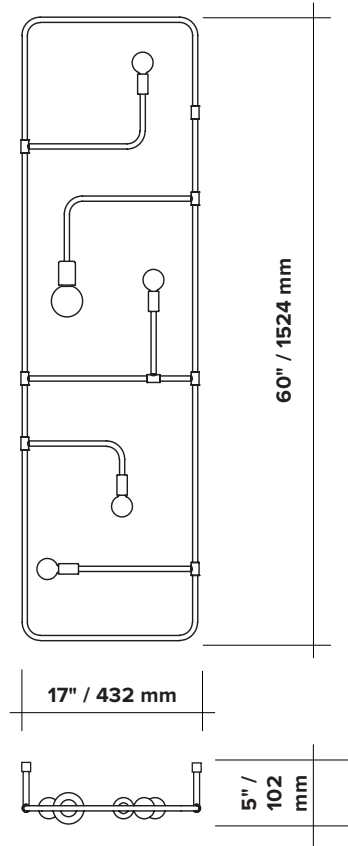
type	ceiling (CE), floor (FL) and wall (WA)	
materials	body :	powdercoated steel and aluminium
	hardware :	brass
	sphere :	milk glass (G50 + G80)
	chains :	brass (CE)
	wire:	nylon
wire length	120" / 3048 mm footswitch positioned at 60" from body	
weight	starting at 7.5 lb / 3.4 kg	
light bulb	LED (included), 1 x 4,5W + 3 x 3,5W	
sockets	G9	
voltage	120V / 240V	
dimmer	For ceiling installation only refer to our recommended list of dimmer models	
certifications	 	
notes	– additional charges for modifications or for special orders – lead time between 8-9 weeks – dimensions are approximate and may vary slightly	



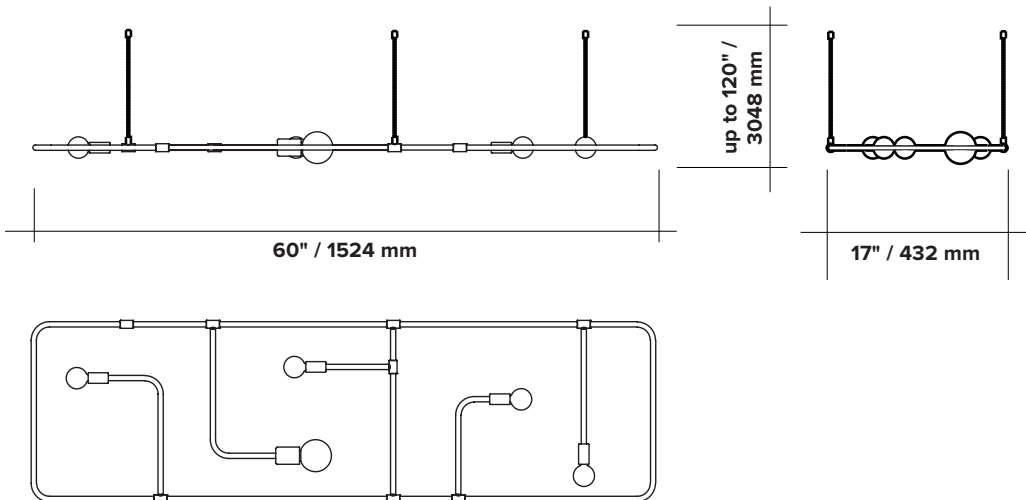
FLOOR



WALL

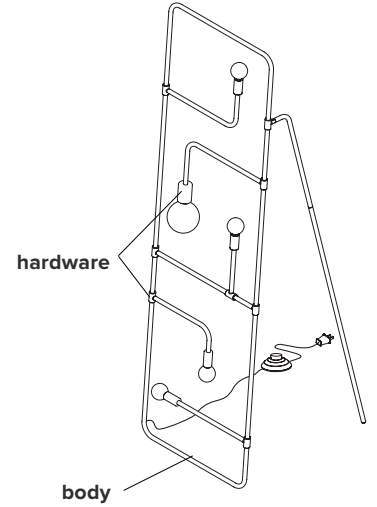


CEILING

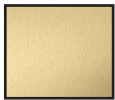


ORDER GUIDE: SKU

COLLECTION		MODEL	INSTALLATION		FINISH (body + hardware)	
BEA	beaubien	01	CE	ceiling	BLBR	black body brass hardware
			FL	floor	BLGR	black body graphite hardware
			WASW	wall softwire		
			WAHW	wall hardwire		
BEA		01	CE		BLBR	= BEA01CEBLBR example



FINISH



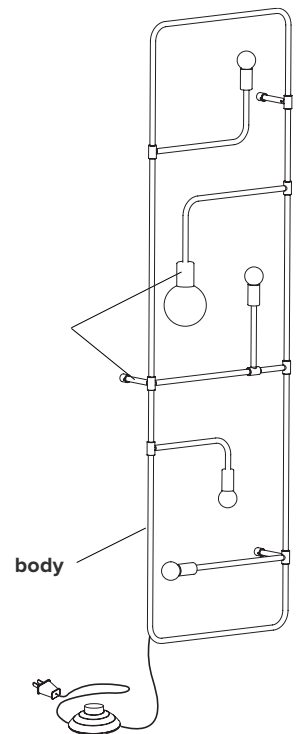
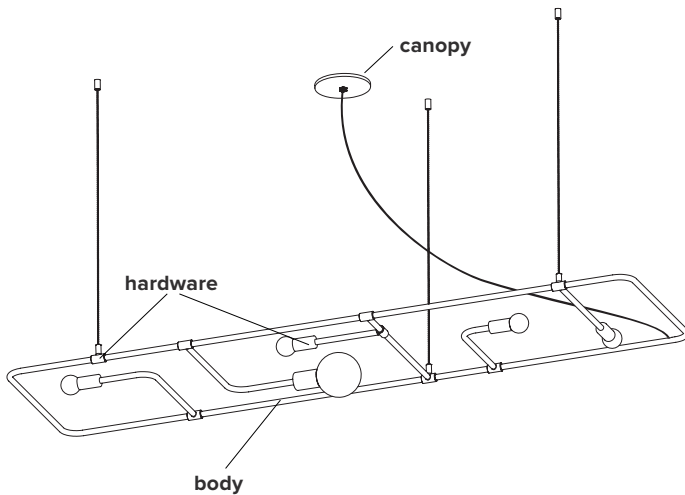
brass



flat black

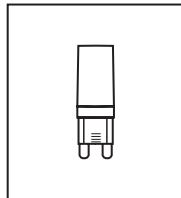


graphite

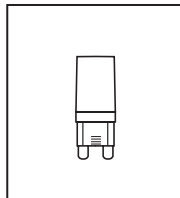


LIGHT BULB

G9 SOCKETS



Frosted
4.5W
100V-120V / 240V
450 Lumens
2700 K
25 000 H
CRI ≥80
2 years warranty



Frosted
3.5W
100V-120V / 240V
350 Lumens
2700 K
25 000 H
CRI ≥80
2 years warranty



SPHERES



G80 \varnothing ± 3" / 80 mm



G50 \varnothing ± 2" / 50 mm

& DIMMER SPECIFICATIONS (CEILING INSTALLATION ONLY)

DIMMER LIST COMPATIBILITY FOR G9 LED BULBS – 120V

The dimming technology offering the best results is ELV (electronic low voltage) dimmers with reverse phase or trailing edge control.

<u>DIMMER BRAND</u>	<u>MODEL NUMBER</u>	<u>MAX LEVEL</u>	<u>MIN LEVEL</u>	<u>FLICKERING</u>	<u>OVERALL QUOTE</u>
LUTRON - MAESTRO	MAELV-600	100%	0%	0%-10%	good
LUTRON - SKYLARK	SELV-300P	100%	0%	no	very good
LUTRON - SKYLARK	SELV-303P	100%	0%	no	very good
LUTRON - SKYLARK	CTELV-303P	100%	0%	no	very good
LUTRON - DIVA	DVELV-300P	100%	0%	no	very good
LEGRAND - ADORNE	TRUE UNIVERSAL	100%	30%	no	good

DIMMER LIST COMPATIBILITY FOR G9 LED BULBS – 230V

<u>DIMMER BRAND</u>	<u>MODEL NUMBER</u>	<u>MAX LEVEL</u>	<u>MIN LEVEL</u>	<u>FLICKERING</u>	<u>OVERALL QUOTE</u>
VARILIGHT	V-PRO	100%	2%	no	very good
LEGRAND - NILOÉ	3 996 35	87%	15%	no	good
NIKO	310-0280X	94%	5%	no	very good
NIKO	310-0190X	100%	1%	no	very good

*Other dimmers can yield good results and we recommend conducting your own test before final installation.