



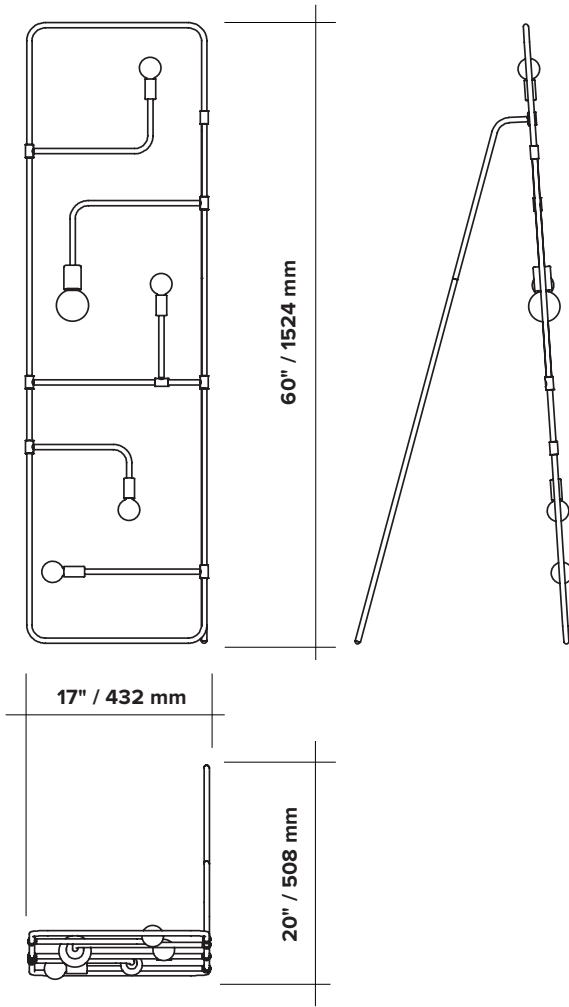
## BEAUBIEN



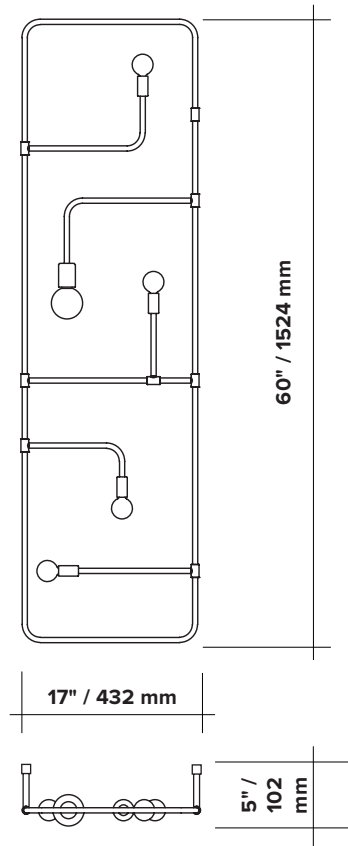
<b>type</b>	ceiling (CE), floor (FL) and wall (WA)
<b>materials</b>	body : powdercoated steel and aluminium hardware : brass sphere : milk glass (G50 + G80) chains : brass (CE) wire: nylon
<b>wire length</b>	120" / 3048 mm footswitch positioned at 60" from body
<b>weight</b>	starting at 7.5 lb / 3.4 kg
<b>light bulb</b>	LED (included), 1 x 4,5W + 3 x 3,5W
<b>sockets</b>	G9
<b>voltage</b>	120V / 240V
<b>dimmer</b>	For ceiling installation only refer to our recommended list of dimmer models
<b>certifications</b>	 
<b>notes</b>	– additional charges for modifications or for special orders – lead time between 8-9 weeks – dimensions are approximate and may vary slightly



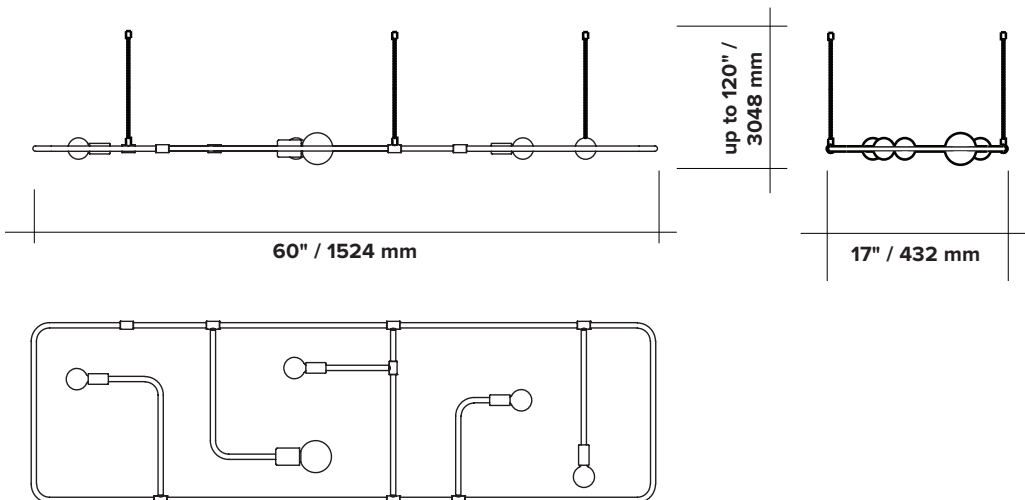
## FLOOR



## WALL

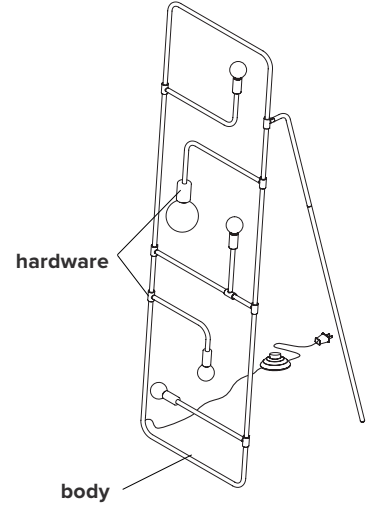


## CEILING

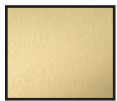


## ORDER GUIDE: SKU

COLLECTION	MODEL	INSTALLATION	FINISH (body + hardware)
BEA beaubien	01	<b>CE</b> ceiling <b>FL</b> floor <b>WASW</b> wall softwire <b>WAHW</b> wall hardware	<b>BLBR</b> black body brass hardware  <b>BLGR</b> black body graphite hardware
<b>BEA</b>	<b>01</b>	<b>CE</b>	<b>BLBR</b> = <b>BEA01CEBLBR</b> <b>example</b>



### FINISH



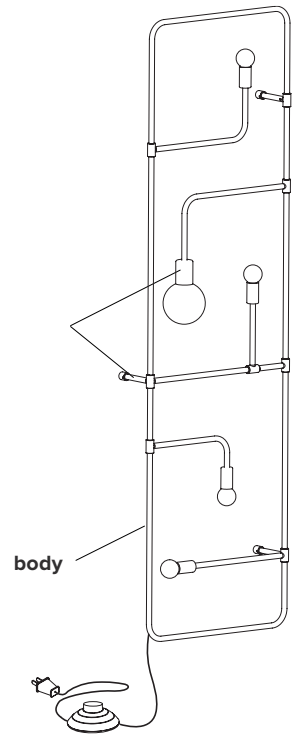
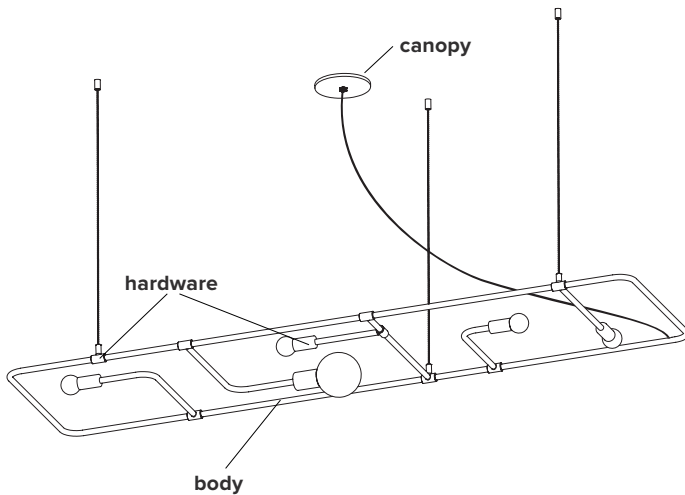
brass



black

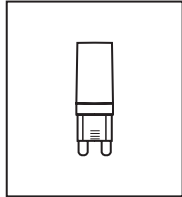


graphite

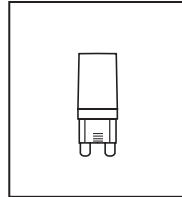


## LIGHT BULB

### G9 SOCKETS



Frosted  
4.5W  
100V-120V / 240V  
450 Lumens  
2700 K  
25 000 H  
CRI ≥80  
2 years warranty



Frosted  
3.5W  
100V-120V / 240V  
350 Lumens  
2700 K  
25 000 H  
CRI ≥80  
2 years warranty



### SPHERES



G80  $\varnothing \pm 3" / 80 \text{ mm}$



G50  $\varnothing \pm 2" / 50 \text{ mm}$

## & DIMMER SPECIFICATIONS (CEILING INSTALLATION ONLY)

### DIMMER LIST COMPATIBILITY FOR G9 LED BULBS – 120V

The dimming technology offering the best results is ELV (electronic low voltage) dimmers with reverse phase or trailing edge control.

<u>DIMMER BRAND</u>	<u>MODEL NUMBER</u>	<u>MAX LEVEL</u>	<u>MIN LEVEL</u>	<u>FLICKERING</u>	<u>OVERALL QUOTE</u>
LUTRON - MAESTRO	MAELV-600	100%	0%	0%-10%	good
LUTRON - SKYLARK	SELV-300P	100%	0%	no	very good
LUTRON - SKYLARK	SELV-303P	100%	0%	no	very good
LUTRON - SKYLARK	CTELV-303P	100%	0%	no	very good
LUTRON - DIVA	DVELV-300P	100%	0%	no	very good
LEGRAND - ADORNE	TRUE UNIVERSAL	100%	30%	no	good

### DIMMER LIST COMPATIBILITY FOR G9 LED BULBS – 230V

<u>DIMMER BRAND</u>	<u>MODEL NUMBER</u>	<u>MAX LEVEL</u>	<u>MIN LEVEL</u>	<u>FLICKERING</u>	<u>OVERALL QUOTE</u>
VARILIGHT	V-PRO	100%	2%	no	very good
LEGRAND - NILOÉ	3 996 35	87%	15%	no	good
NIKO	310-0280X	94%	5%	no	very good
NIKO	310-0190X	100%	1%	no	very good

\*Other dimmers can yield good results and we recommend conducting your own test before final installation.