

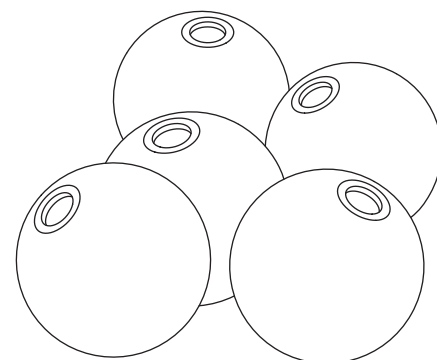
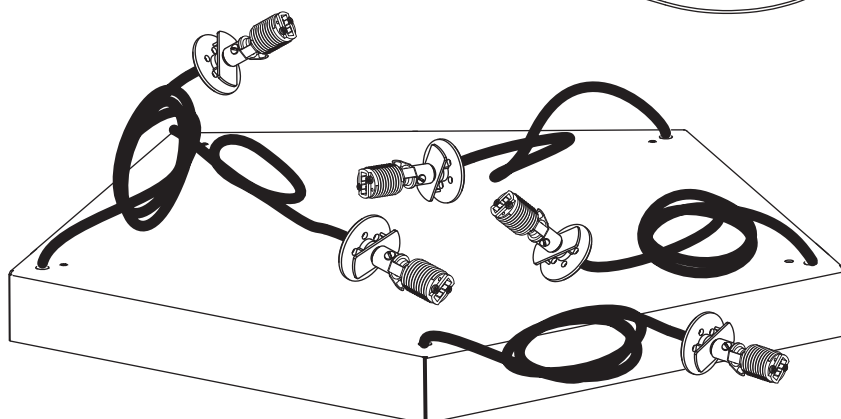
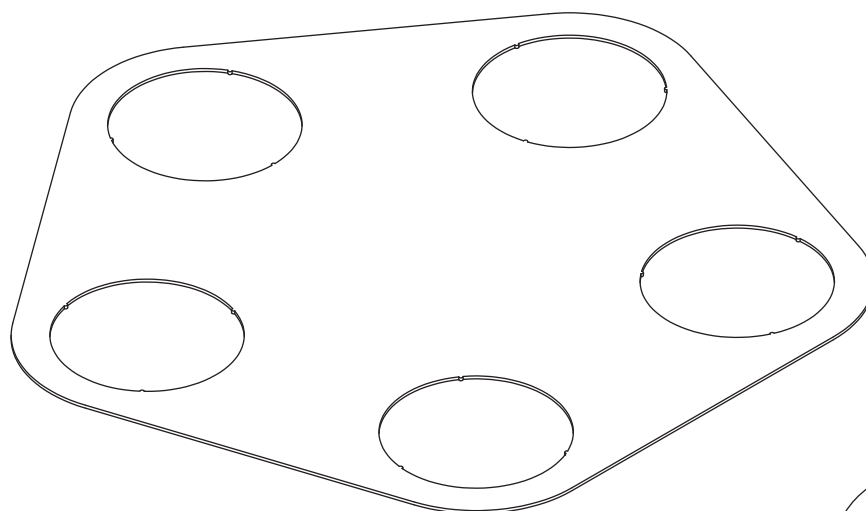
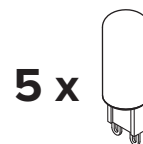
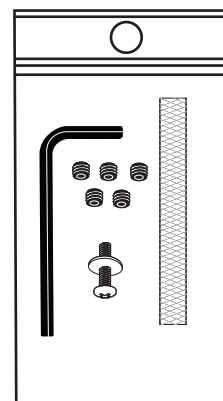


LAURENT 04

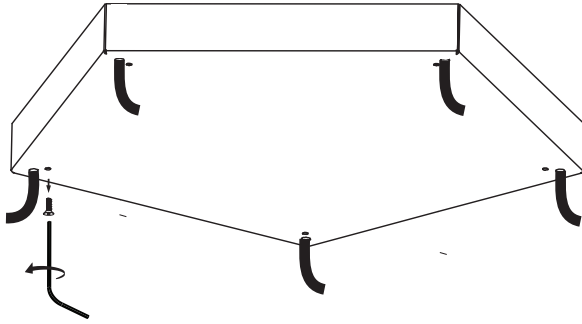


- To be installed by an electrician to an electrical box
- Use appropriate screws and anchors where necessary
- Wear enclosed gloves when handling lamp
- Handle materials with care. Please consult lamp maintenance sheet on our web site
- Should be used exclusively as a lamp and not as a shelving, display or hanging unit

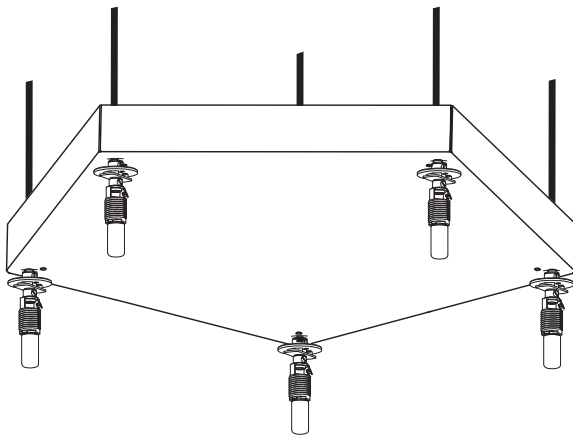




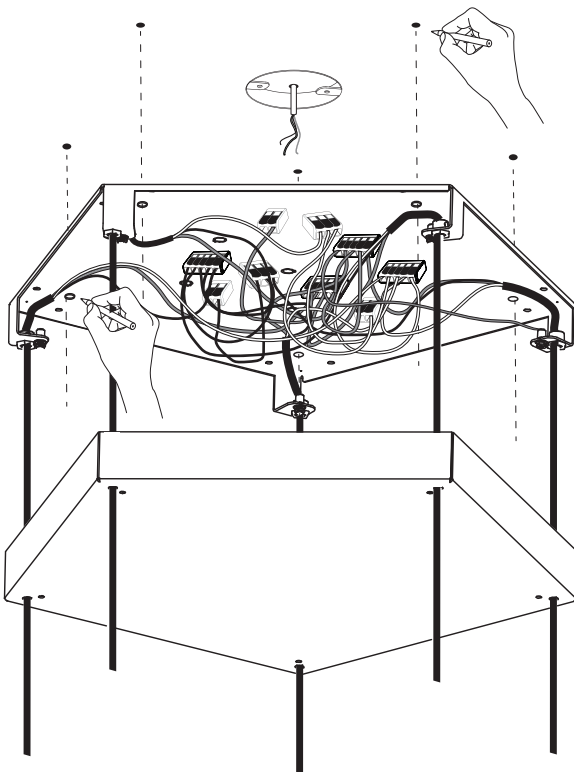
1



Lower ceiling bracket cover.



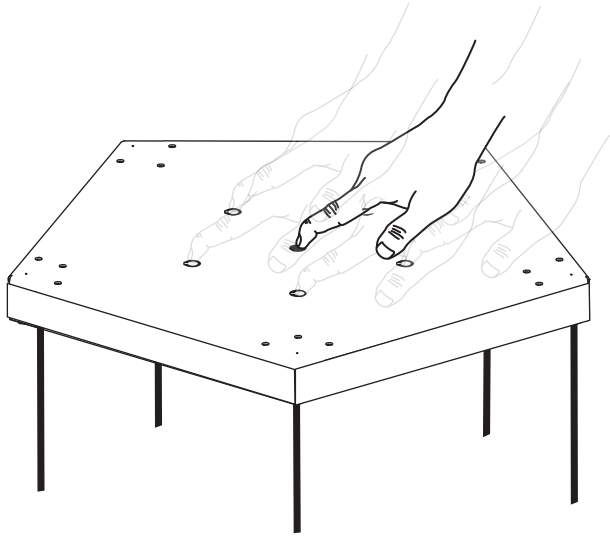
Temporarily rest cover plate gently on socket caps.



Use the bracket as a guide for your anchor holes. Mark your anchoring points to the ceiling by centering it with your junction box.

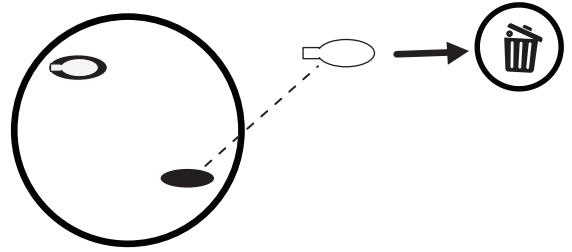
Make sure to use appropriate anchors for ceiling material.





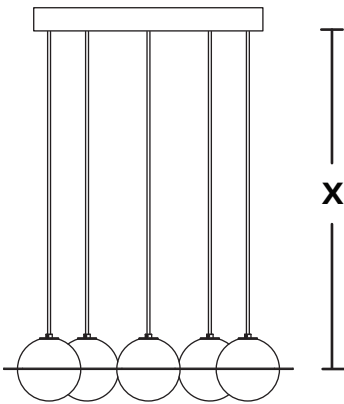
1

Knockout selected hole depending on desired electrical box alignment.

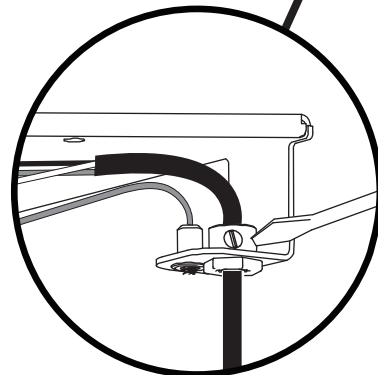
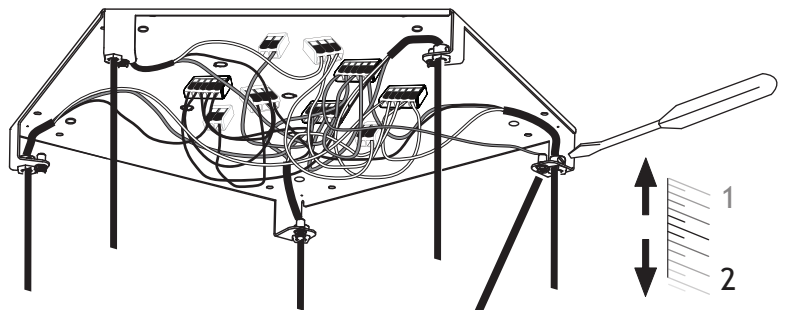


3

Loosen set screw to adjust wire length. Screw back gently but firmly when desired wire length (X) is reached.



Trim wires to desired length (X). Do not leave a large excess of wires inside canopy. Reconnect them as before.

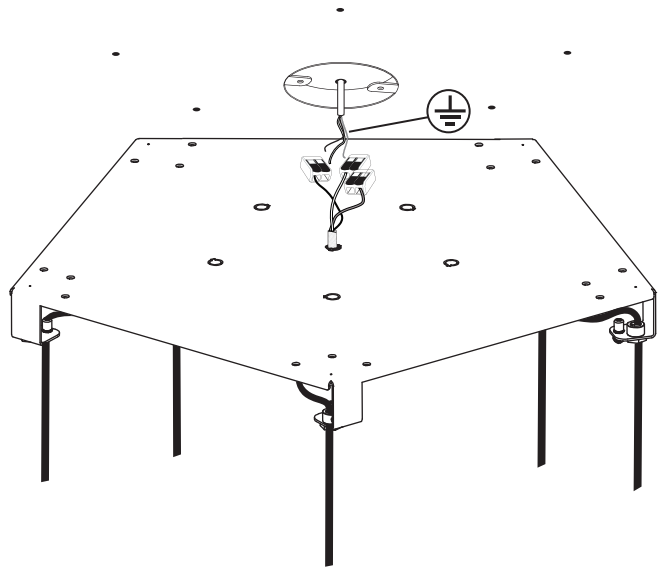


⚠ SCREW GENTLY BUT FIRMLY

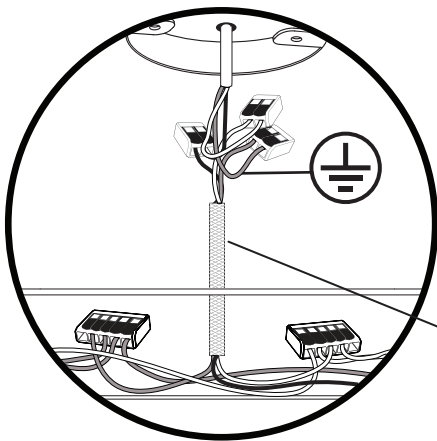
4

Make connection in the identified wagos.

Unclip the three double wagos, feed the wires through the chosen wire exit and then reclip the wagos.

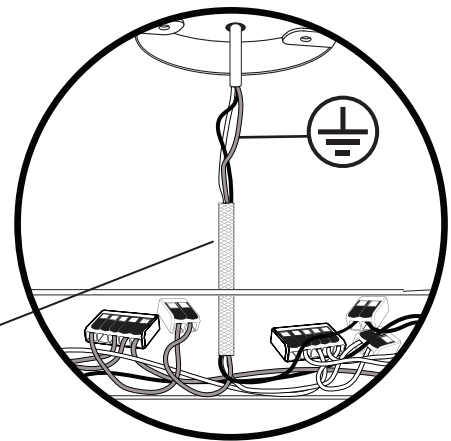


Recommended



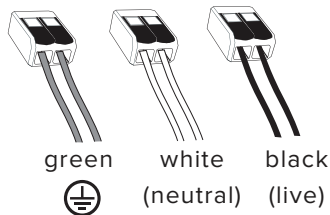
Insert provided fiberglass heat sleeve before making your connection.

OR

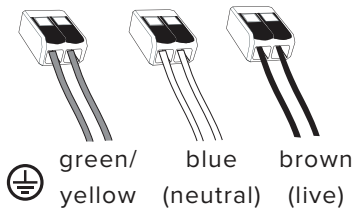


Only possible if wires are fixed and if wires are 0.20 to 4mm² (20 to 12 gauge) solid or stranded.

UL US LISTED



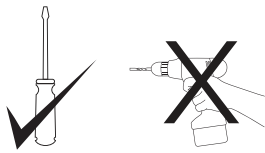
CE



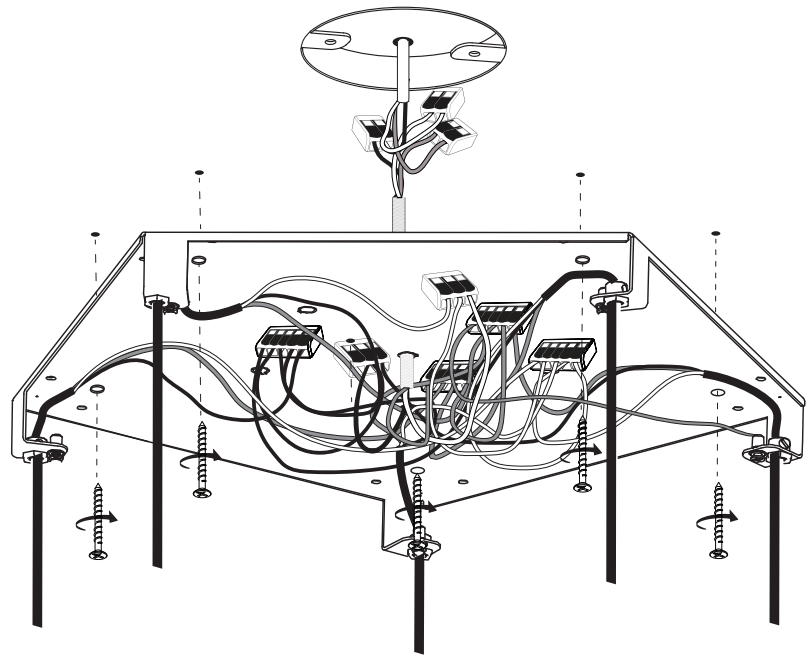
6mm

5

Gently but firmly screw the frame to the ceiling still aligning the center with your junction box.



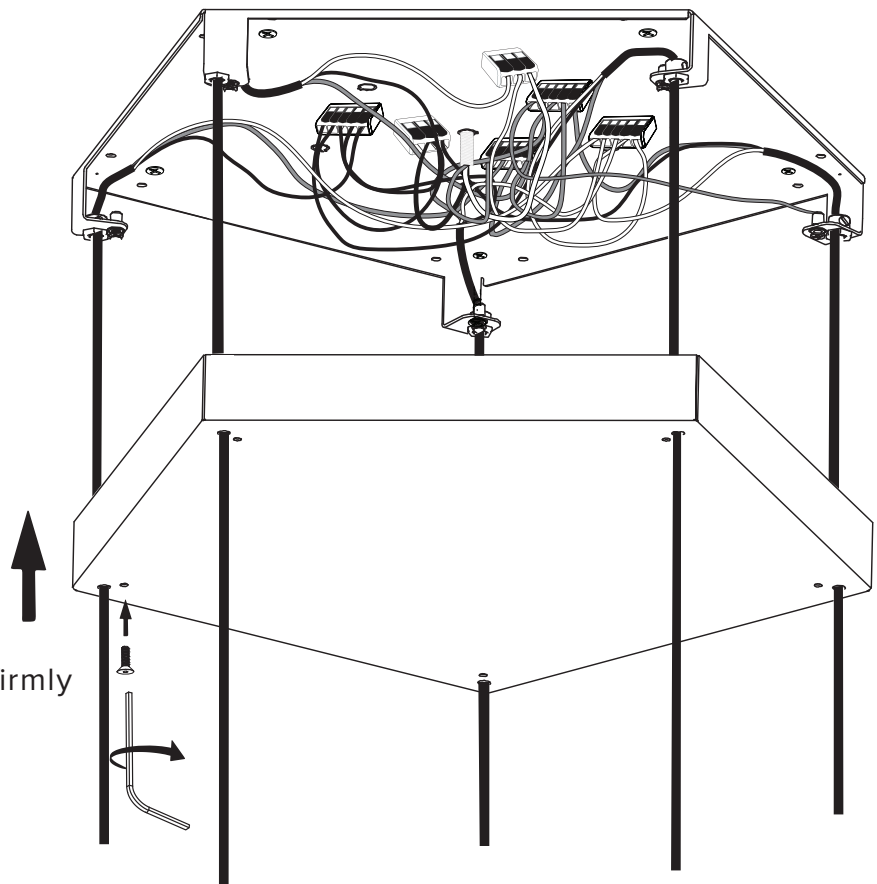
Avoid scuffing the wires during this operation.



Make sure to use appropriate anchors for ceiling material.

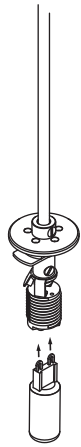
6

Ensure no wires are clipped or pinched during this operation.

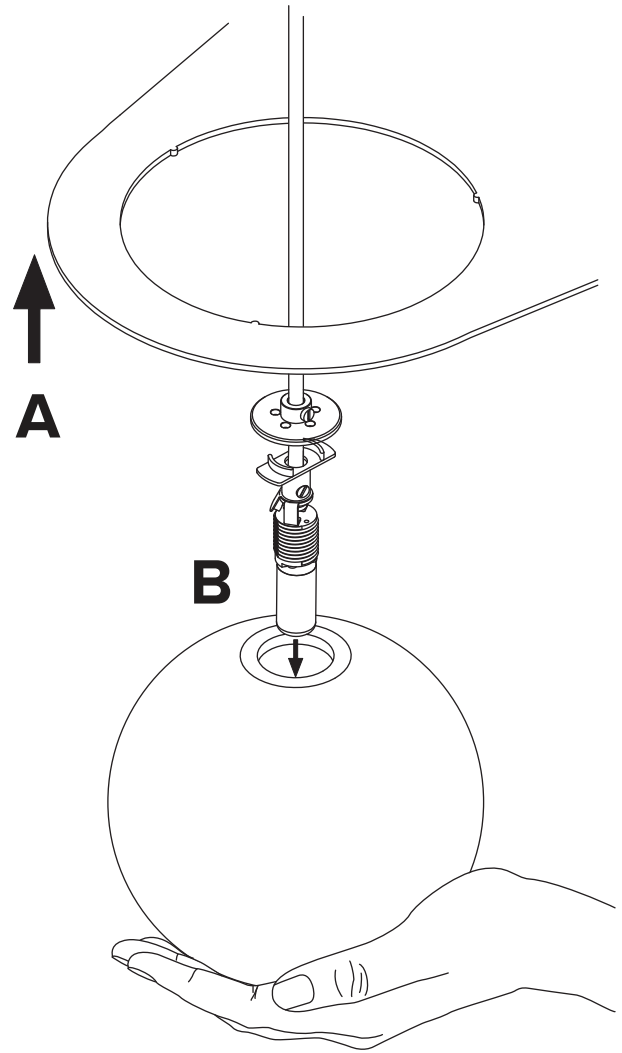


* Screw gently, but firmly

7

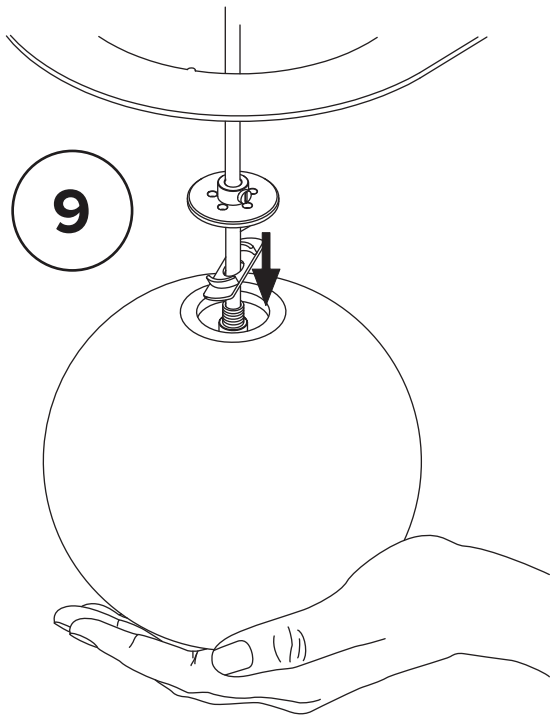


8

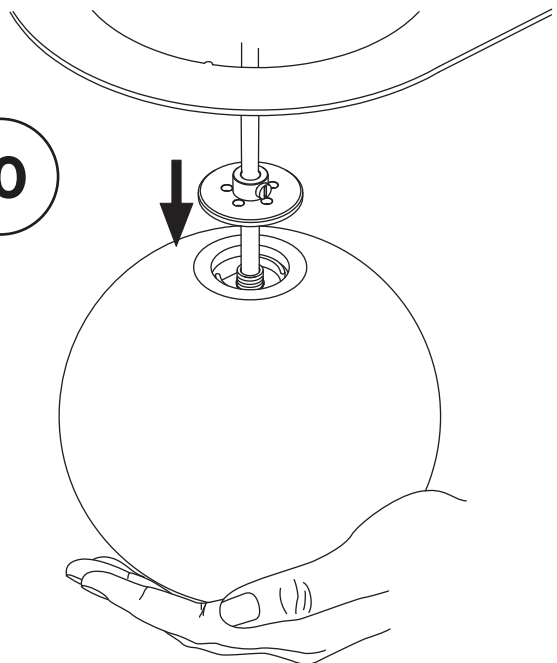


To ensure safety,
**PLEASE FOLLOW THESE STEPS
CAREFULLY**

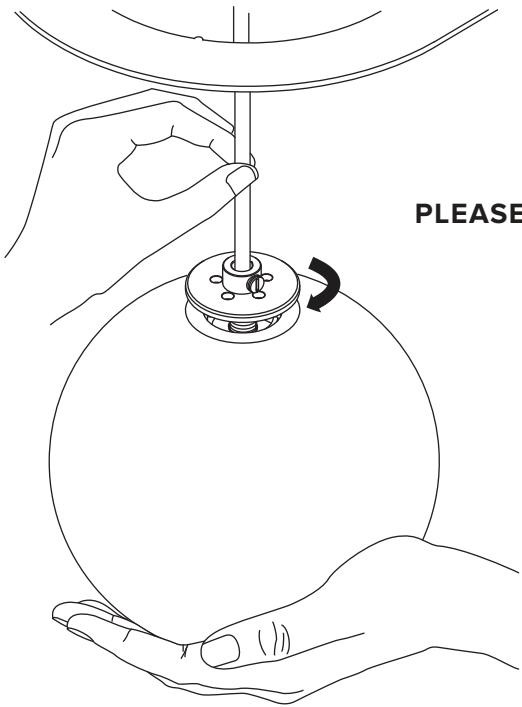
9



10



11

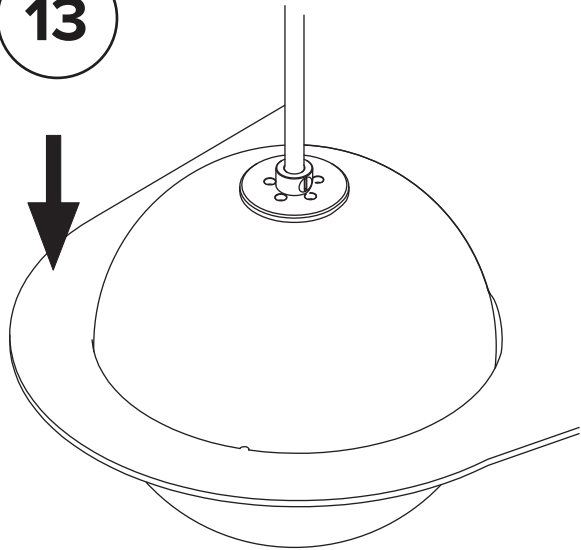


12

To ensure safety,
**PLEASE FOLLOW THESE STEPS
CAREFULLY**



13



14

Make sure the globes are level by micro-adjusting the wire lengths.

SCREW GENTLY BUT FIRMLY

