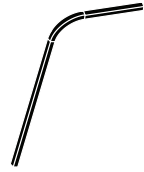


# LAURENT 09

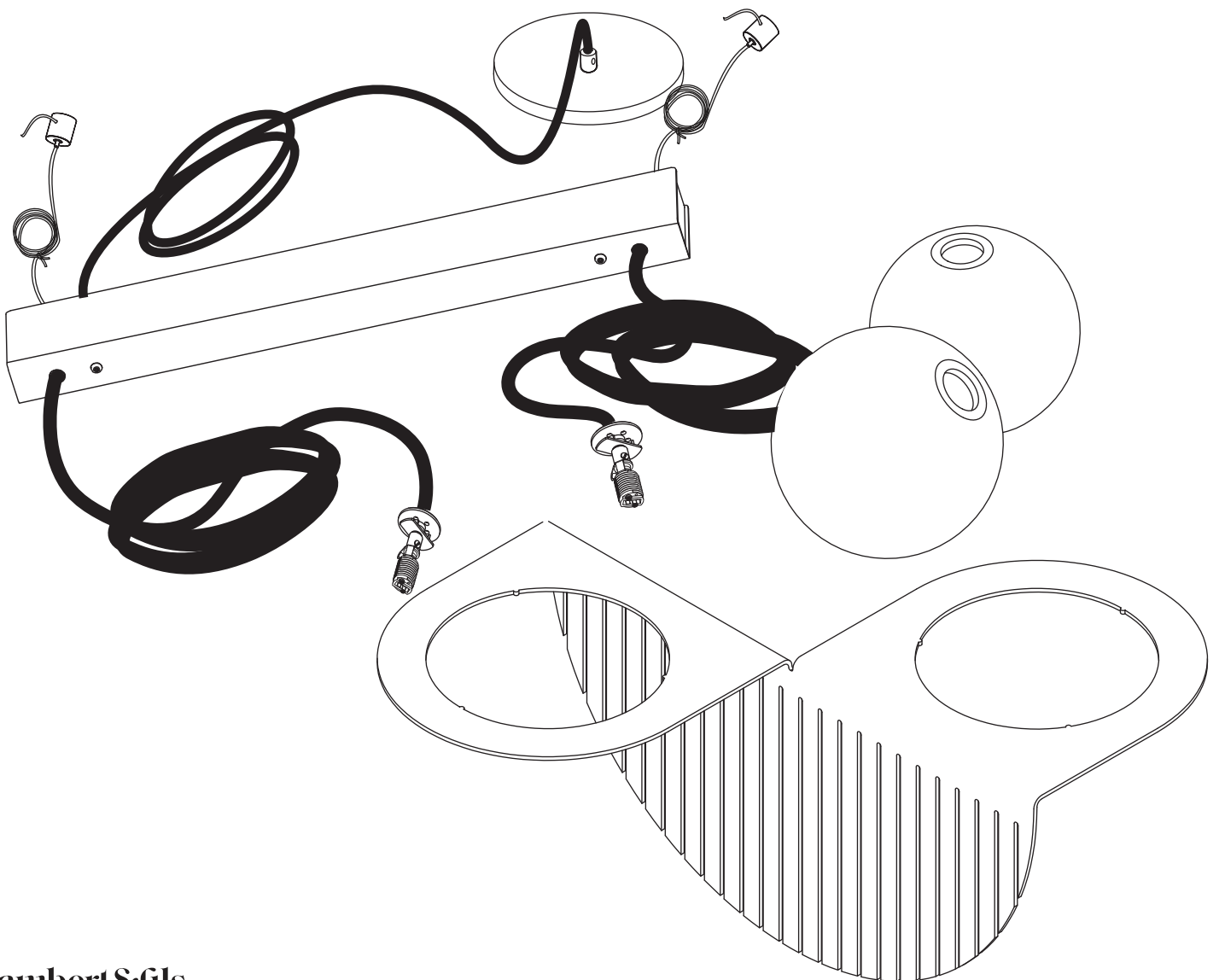
1 x



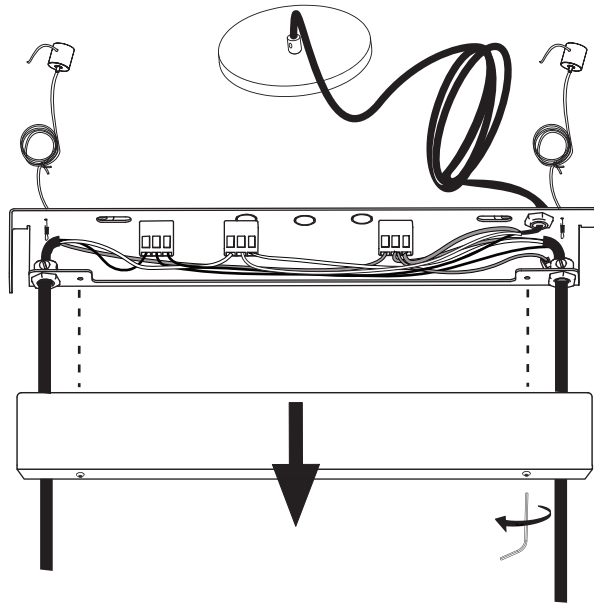
2 x



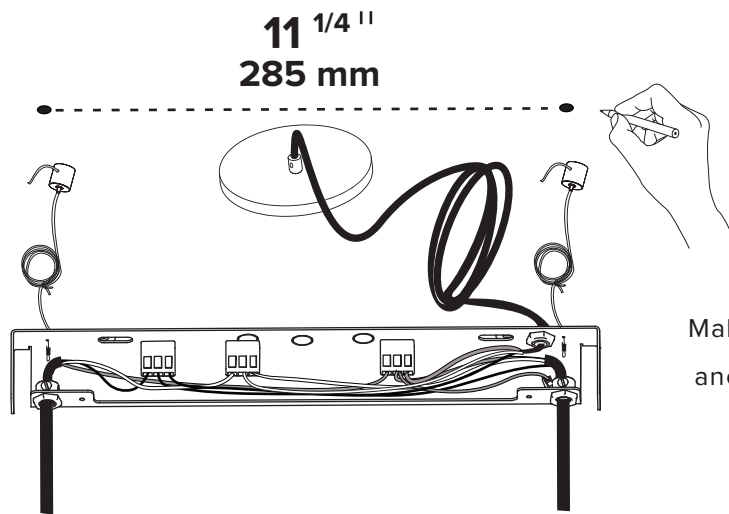
- To be installed by an electrician to an electrical box
- Use appropriate screws and anchors where necessary
- Wear enclosed gloves when handling lamp
- Handle materials with care. Please consult lamp maintenance sheet on our web site
- Should be used exclusively as a lamp and not as a shelving, display or hanging unit



1

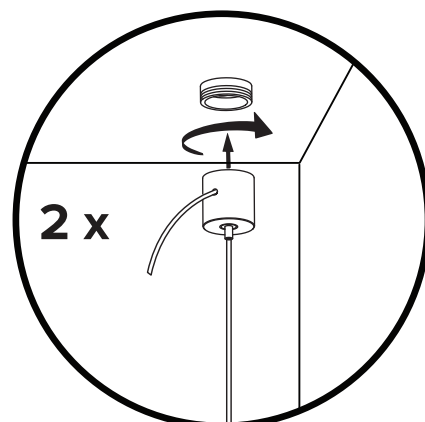
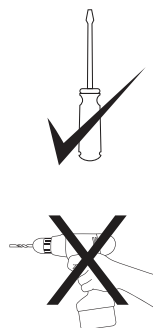
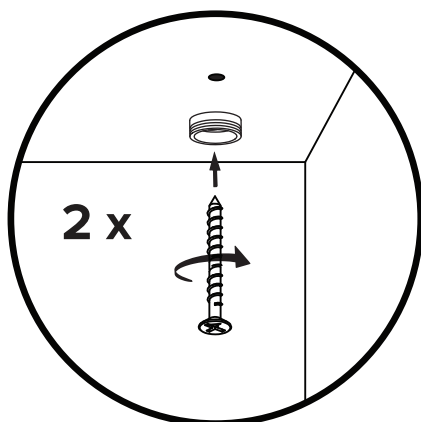


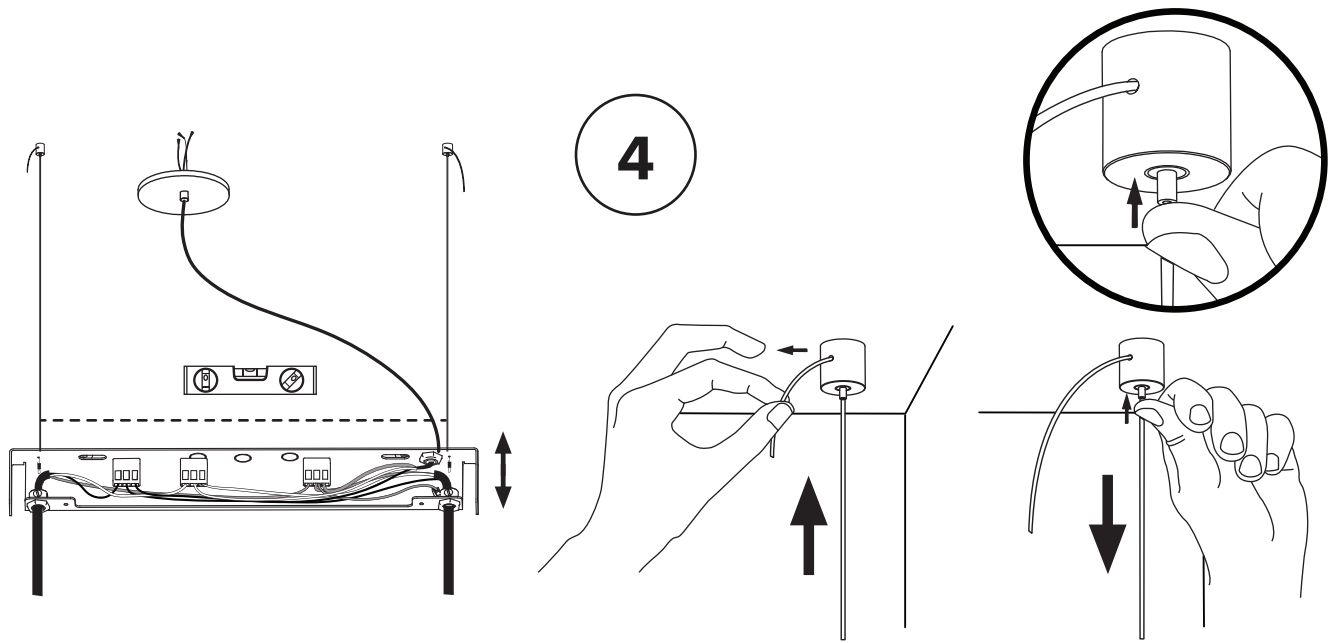
2



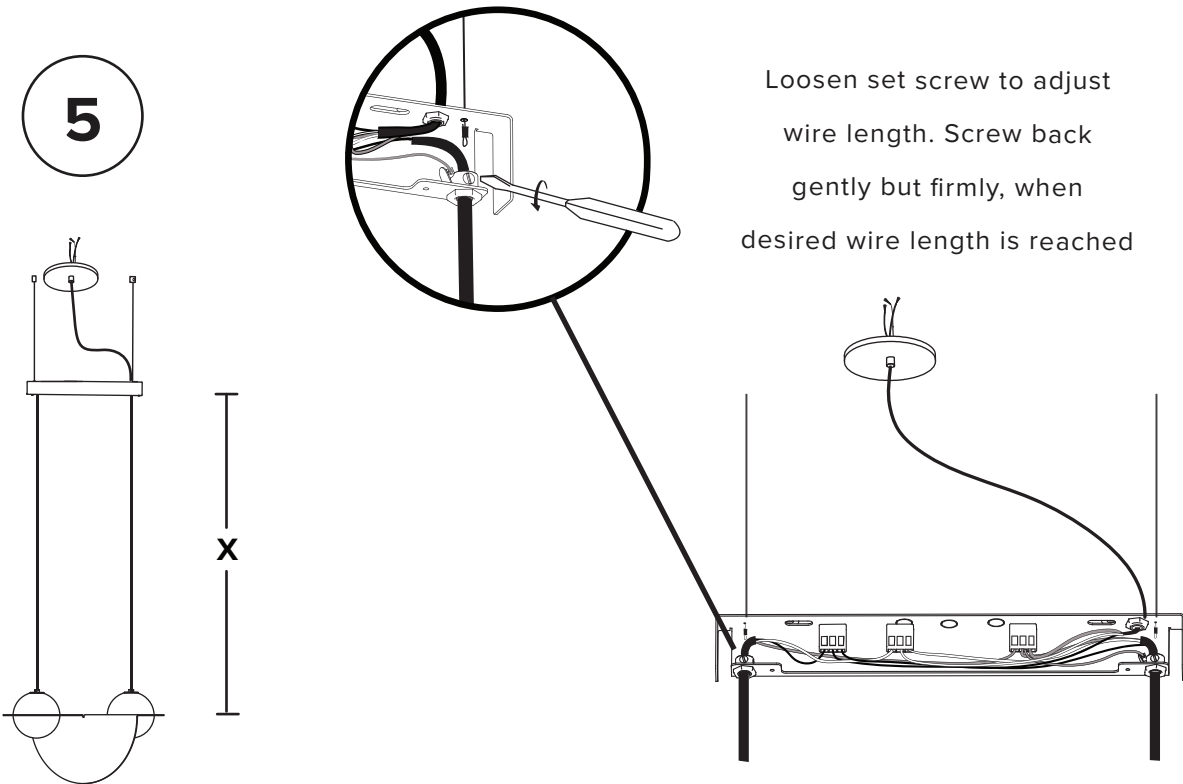
Make sure to use appropriate anchors for ceiling material.

3



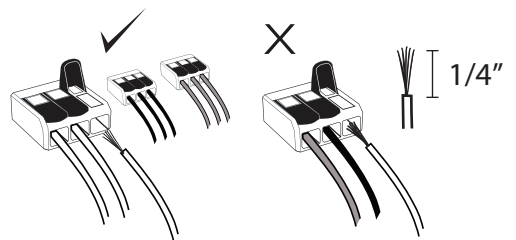


5

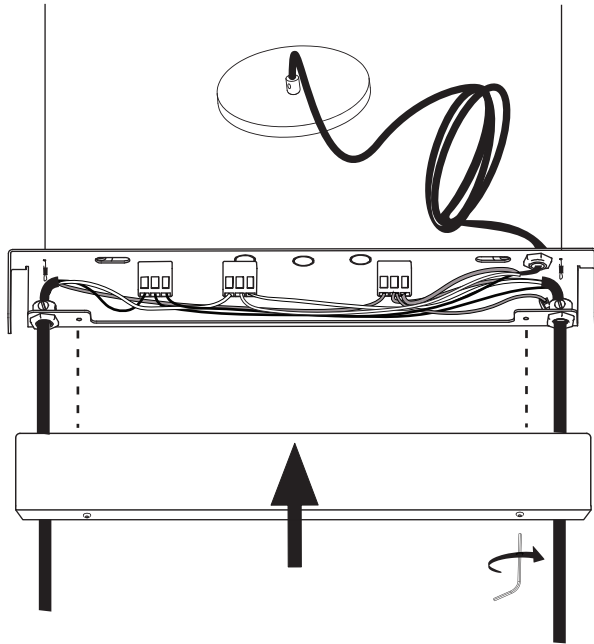


Loosen set screw to adjust wire length. Screw back gently but firmly, when desired wire length is reached

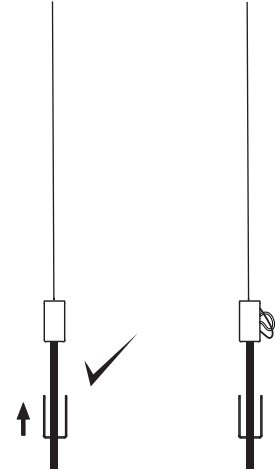
Trim wires to desired length (X).  
Do not leave a large excess of wires inside canopy. Reconnect them as before.



6

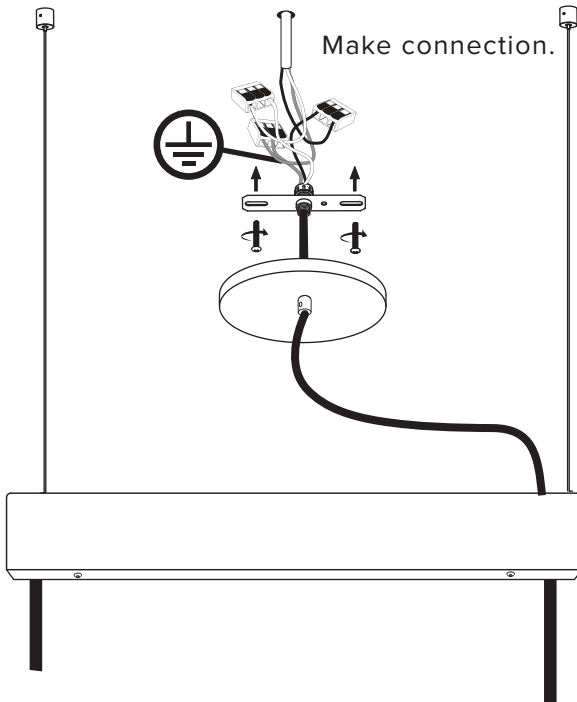


\* Screw gently, but firmly

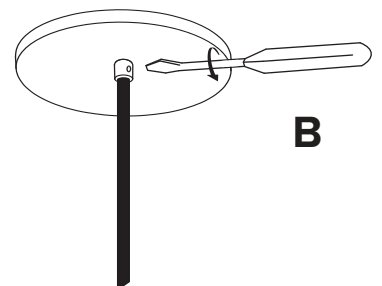
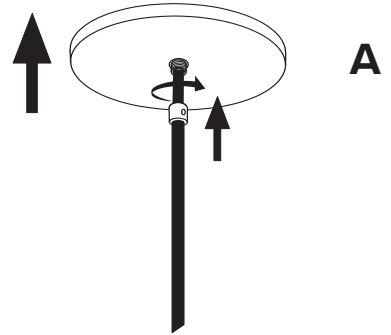


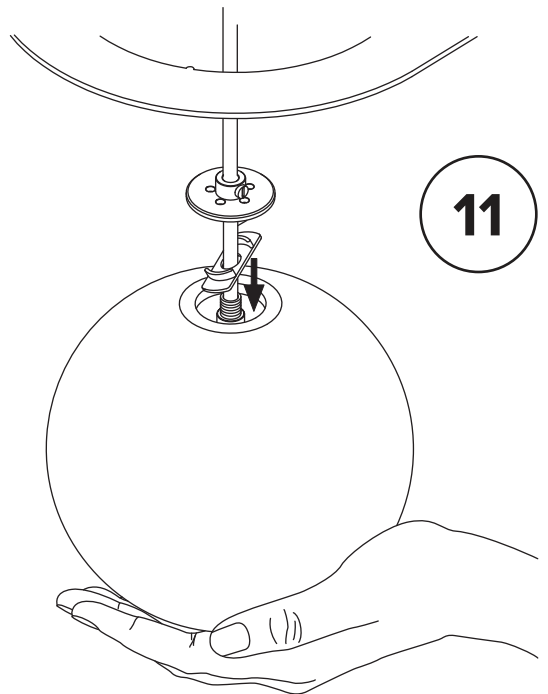
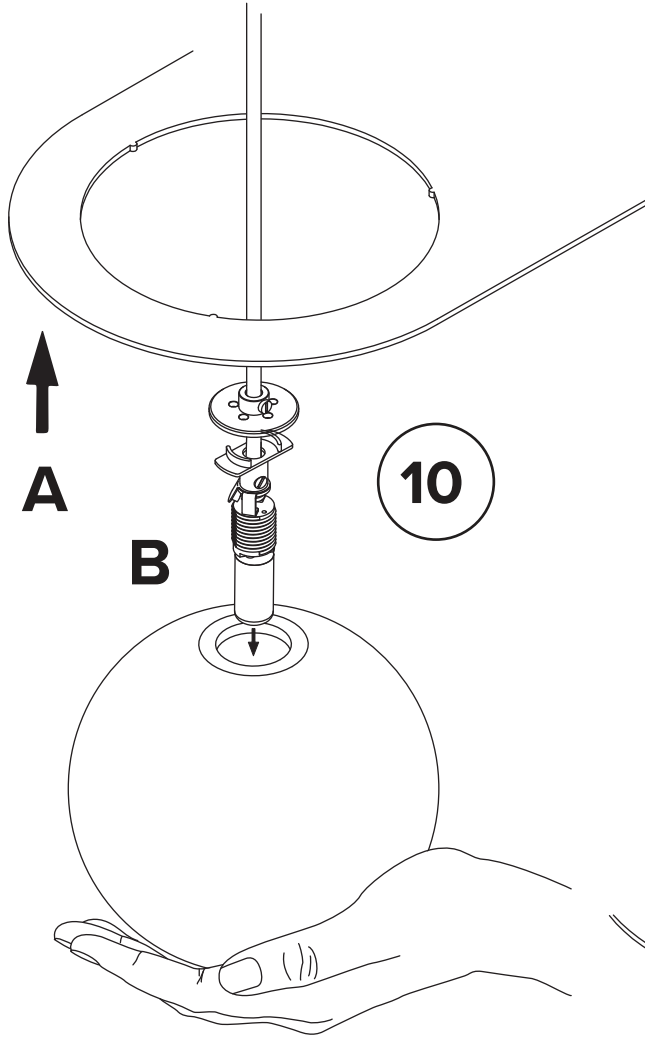
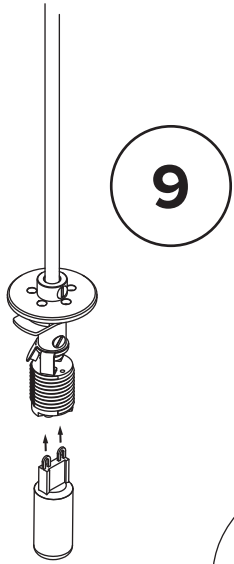
Ensure no wires are clipped or pinched during this operation.

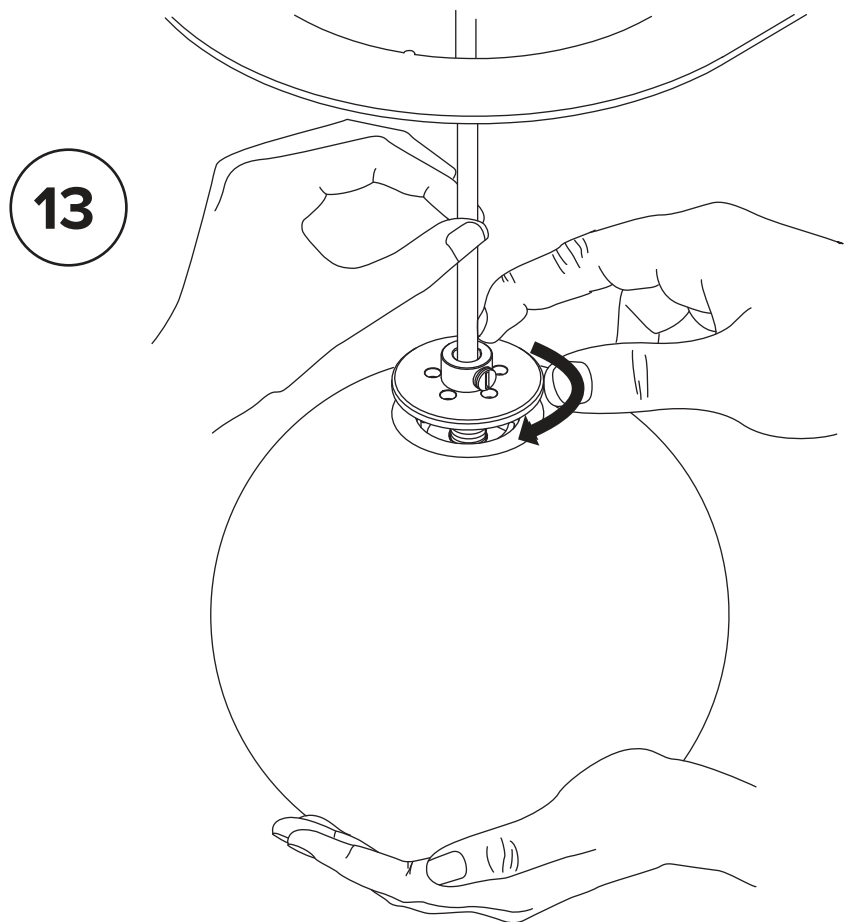
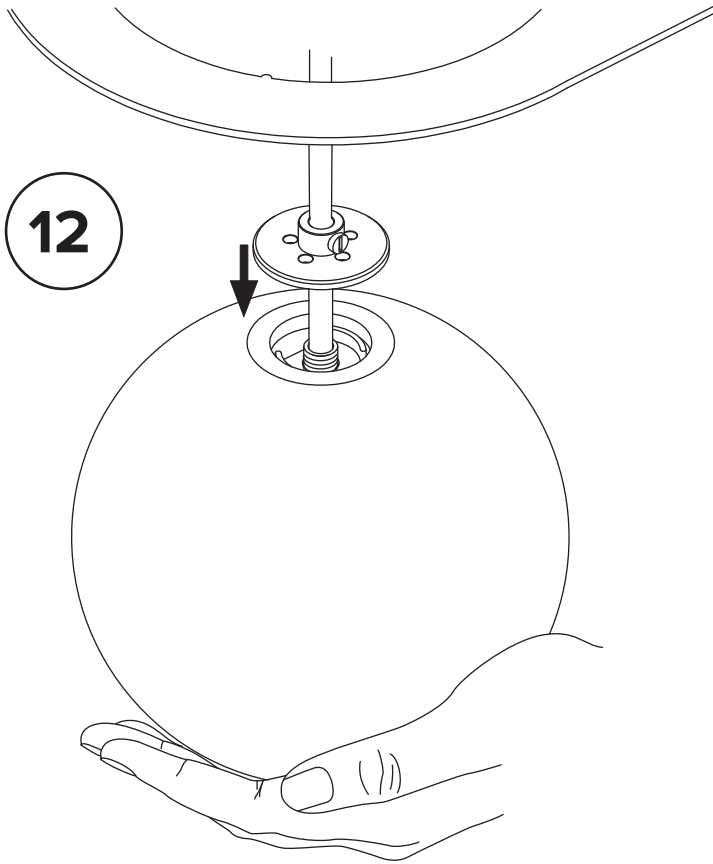
7

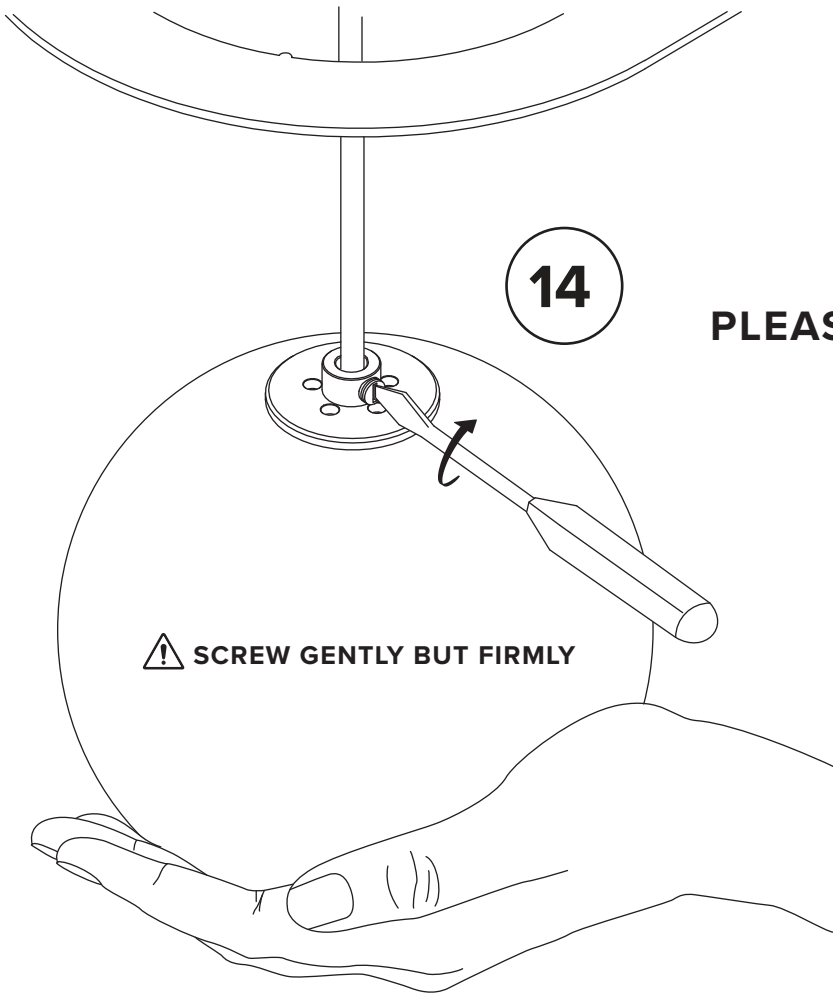


8

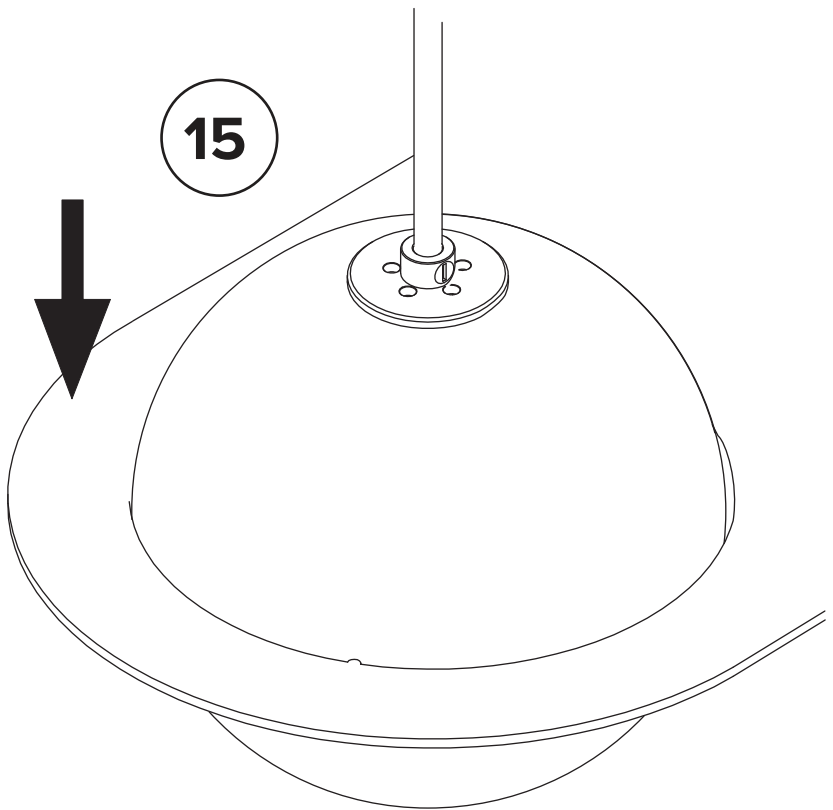




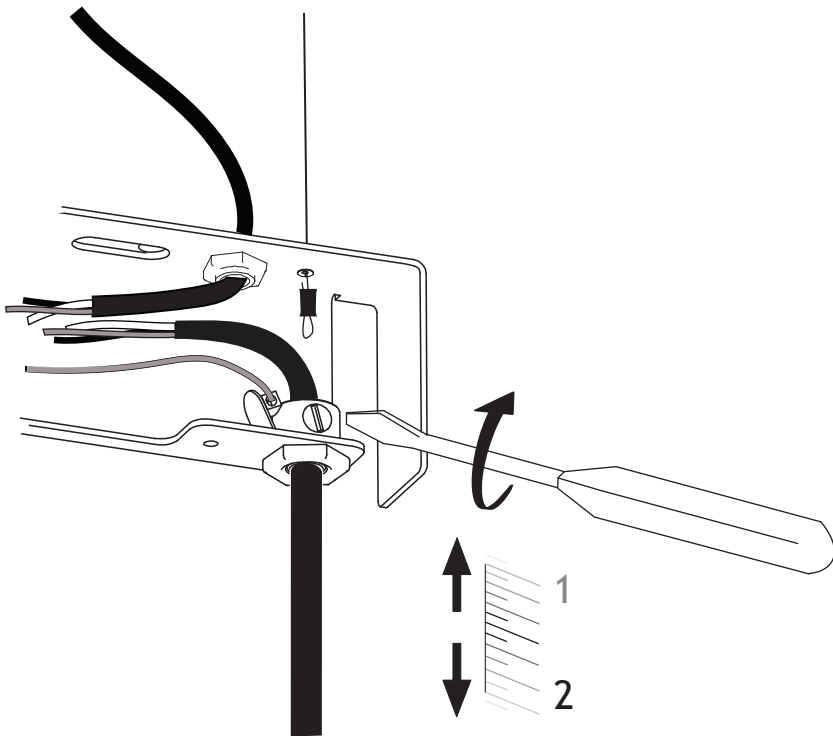




\* To ensure safety,  
**PLEASE FOLLOW THESE STEPS  
CAREFULLY**

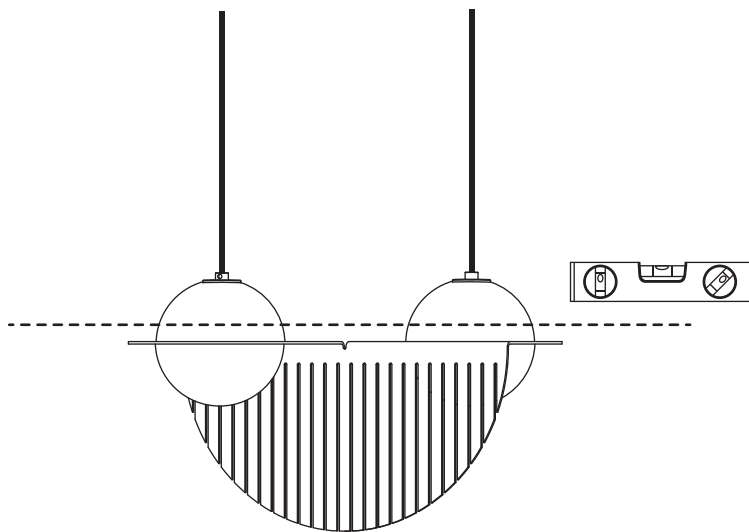
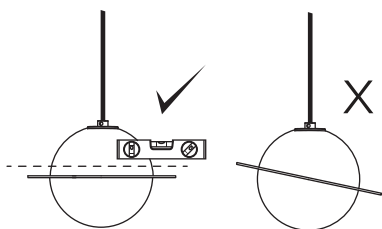


16

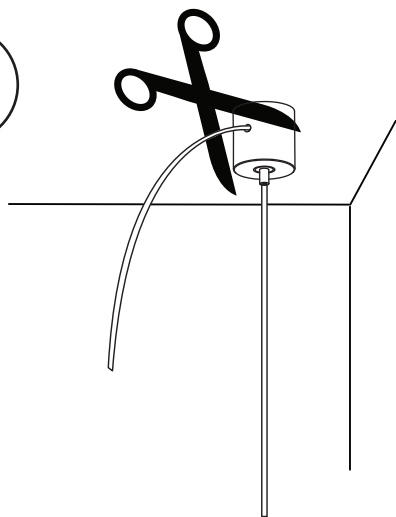


Make sure the globes are level by micro-adjusting the wire lengths.

**SCREW GENTLY BUT FIRMLY**

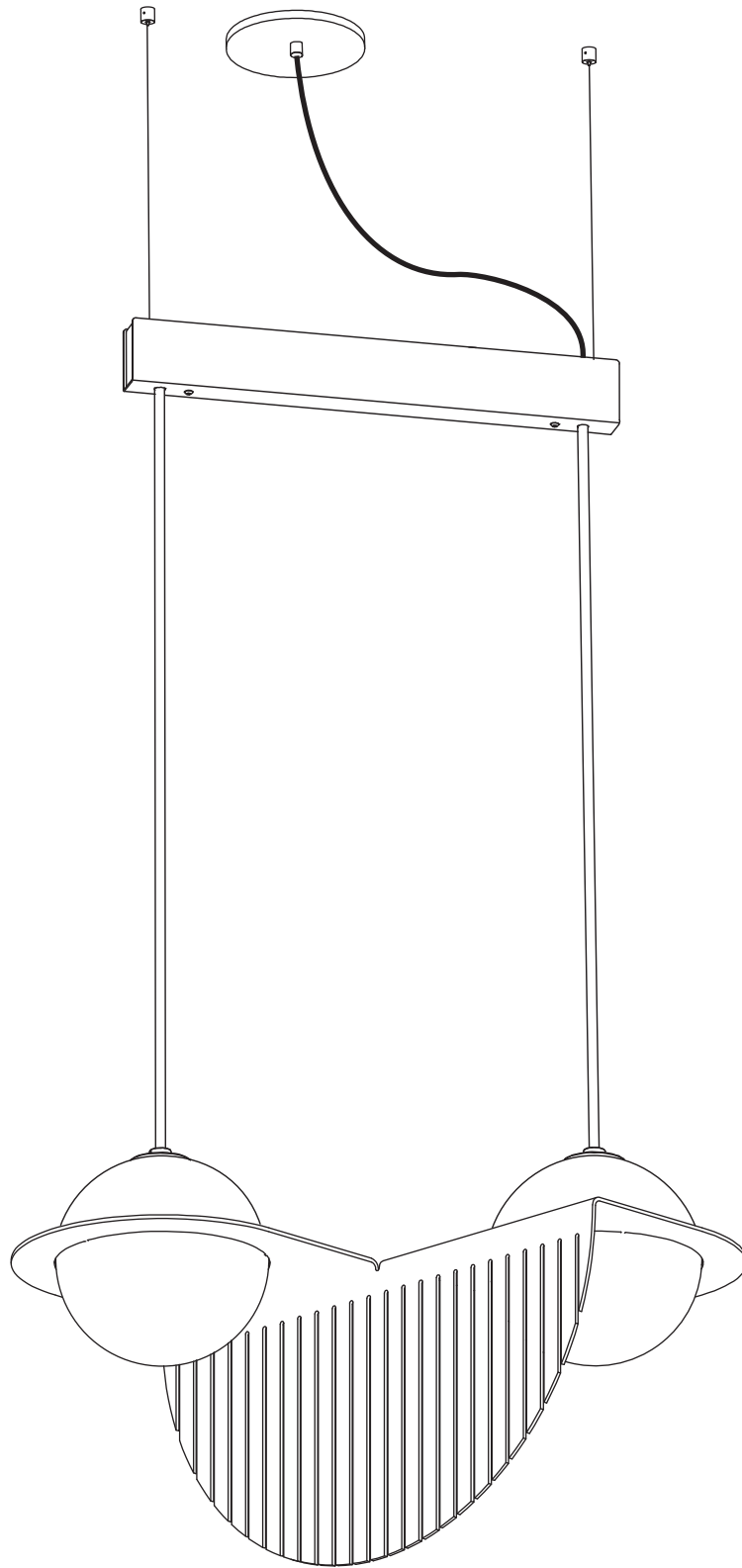


17



Trim extra cable when desired height and level are achieved.





**lambert&fils**