



# LAURENT 08

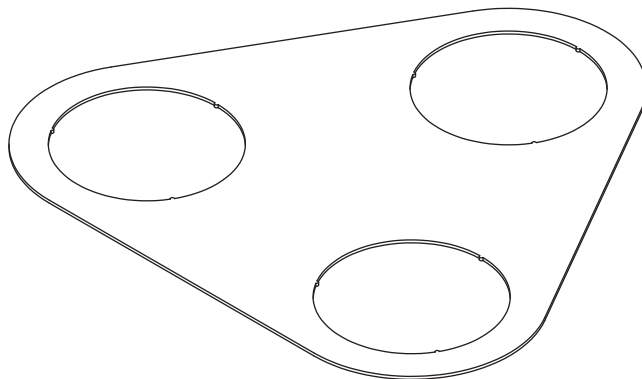
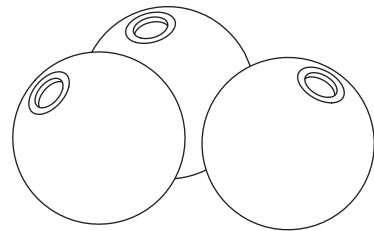
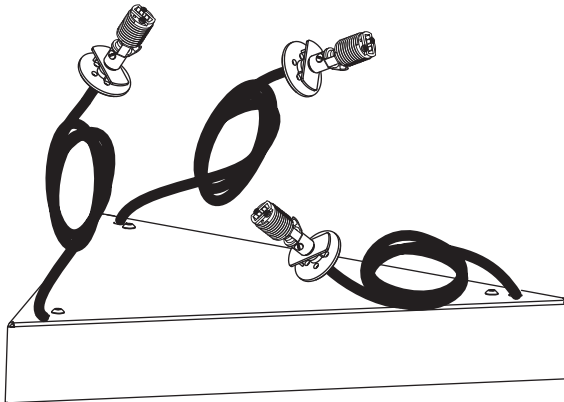
3 x 

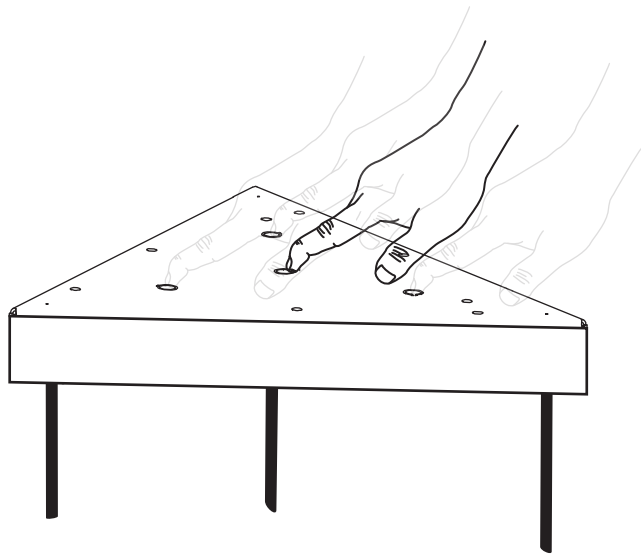
1 x 

3 x 



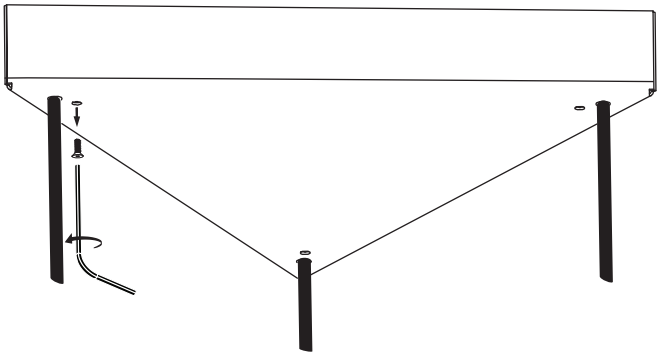
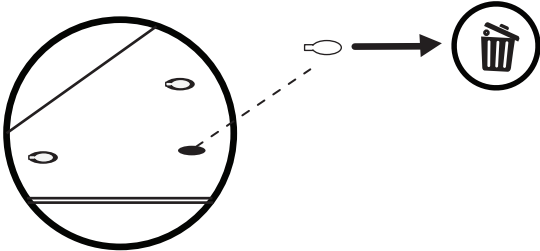
- To be installed by an electrician to an electrical box
- Use appropriate screws and anchors where necessary
- Wear enclosed gloves when handling lamp
- Handle materials with care. Please consult lamp maintenance sheet on our web site
- Should be used exclusively as a lamp and not as a shelving, display or hanging unit





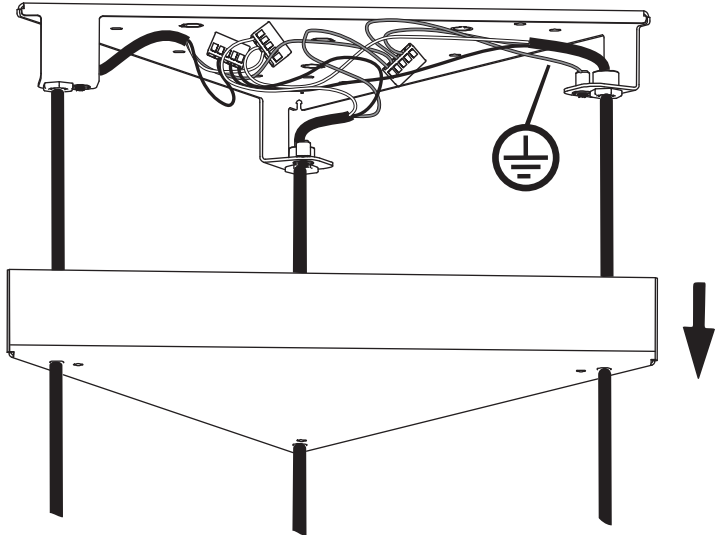
**1**

Knockout selected hole depending on desired electrical box alignment.



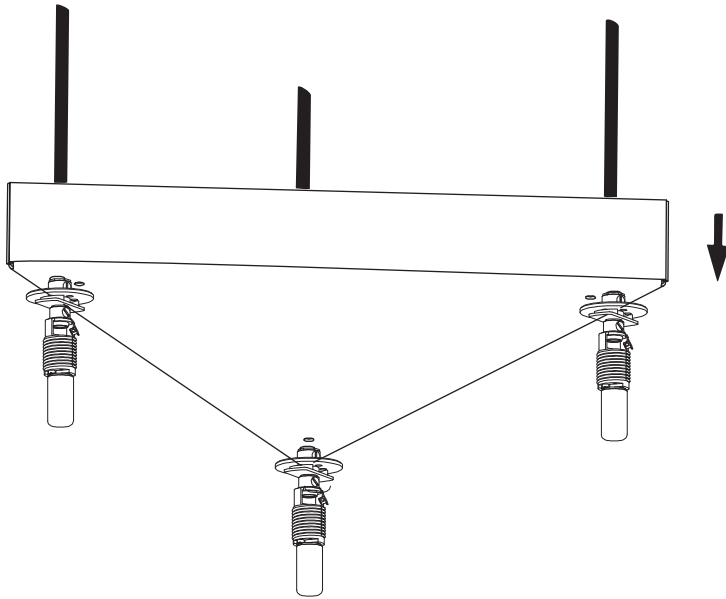
**2**

Gently unscrew the cover plate using provided allen key.



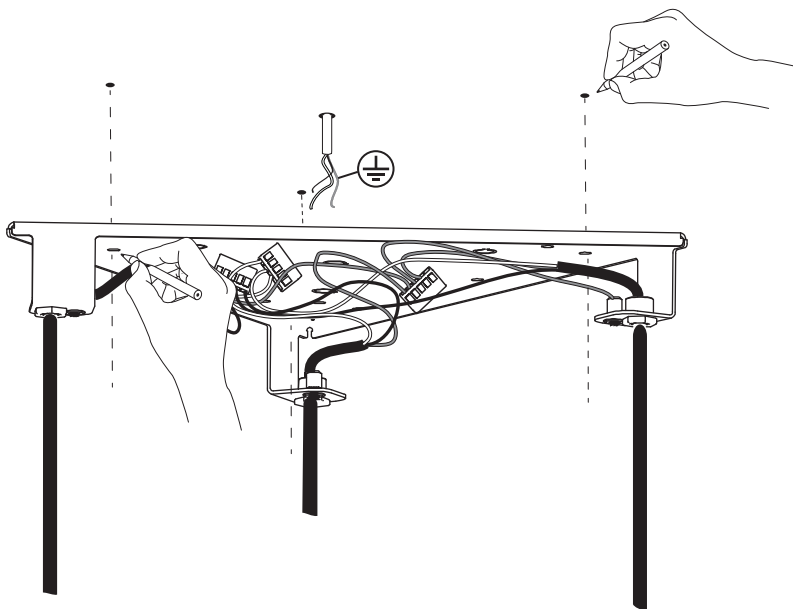
**3**

Carefully remove cover plate by sliding it along the wires.



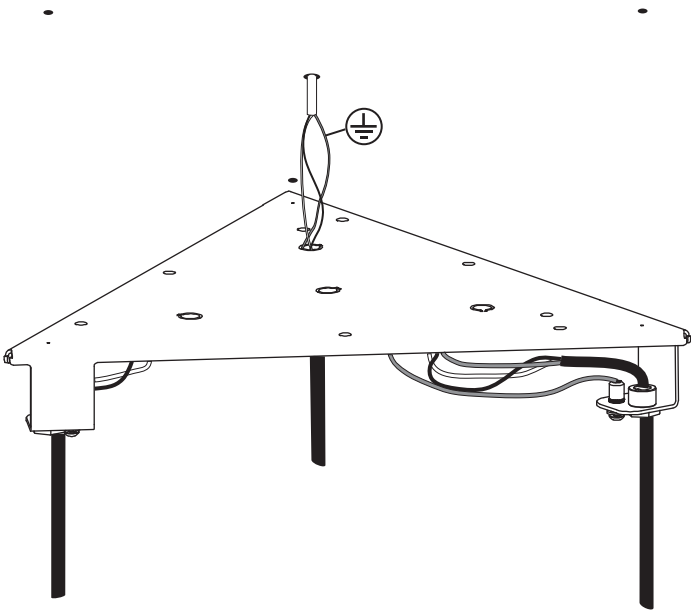
**4**

Gently rest cover plate on  
socket caps.



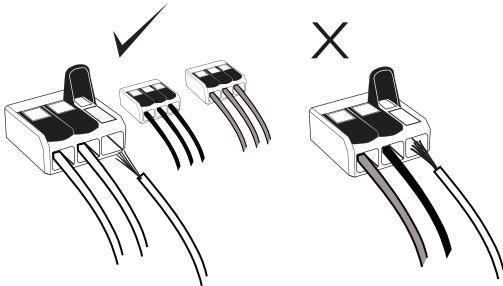
**5**


Use the frame as a template  
to mark your anchoring  
points to the ceiling by  
centering it with your  
junction box.

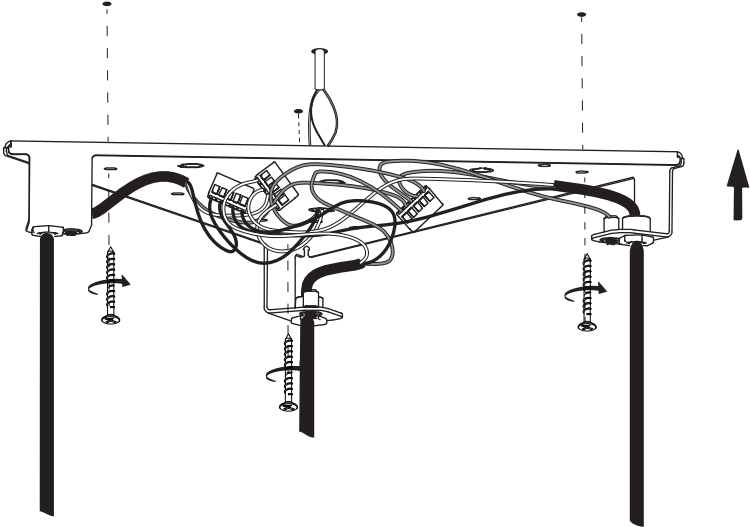


6

Once the appropriate anchors have been placed, connect your luminaire. (we recommend this to be a two person operation)

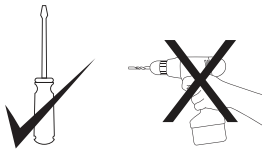


Make connection.  1/4"

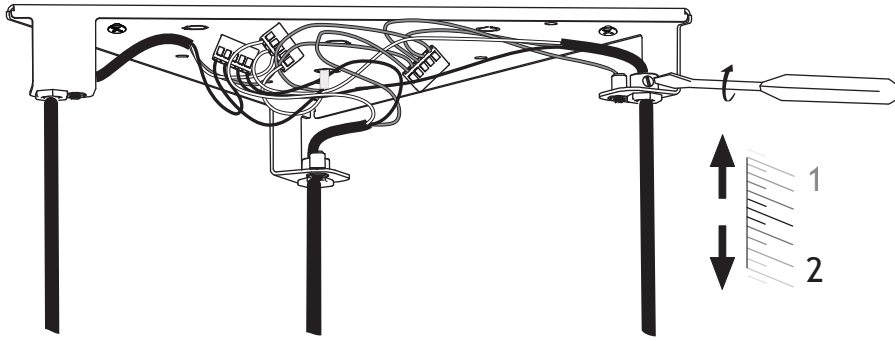


7

Gently but firmly screw the frame to the ceiling still aligning the center with your junction box.



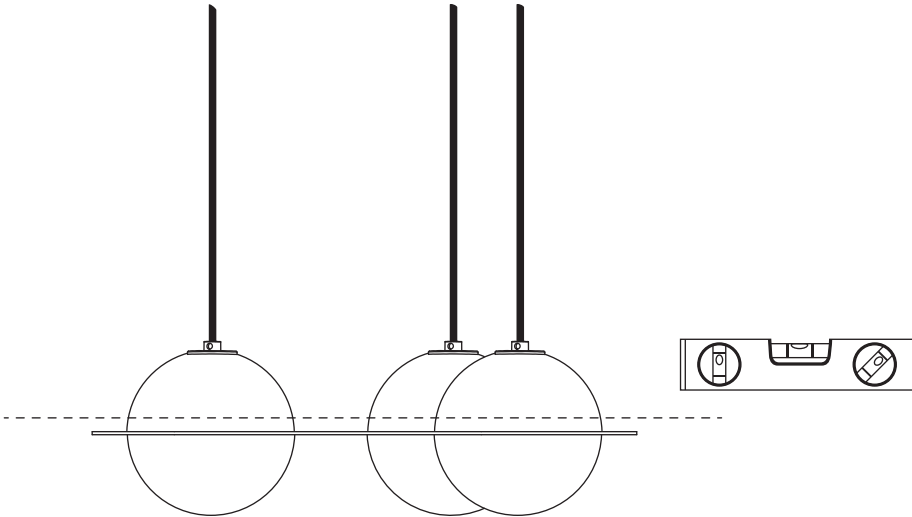
Avoid scuffing the wires during this operation.



8

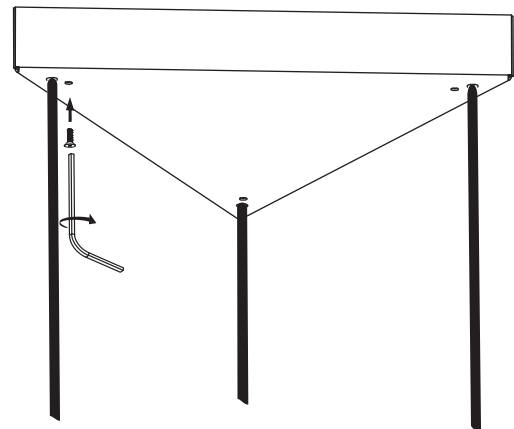
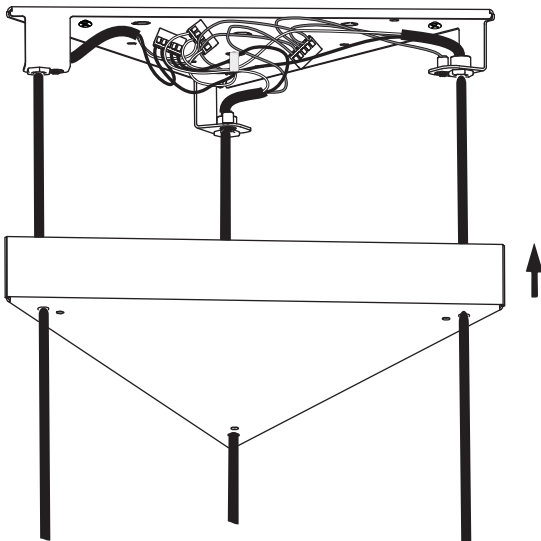
Make sure the globes are level by micro-adjusting the wire lengths.

**⚠ SCREW GENTLY BUT FIRMLY**



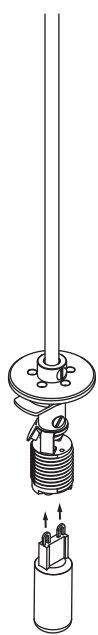
9

Once the frame is secured and the globes are level, slide the cover plate back up to the frame and screw the cover plate back onto the ceiling frame. Make sure all wires are locked into the enclosure.

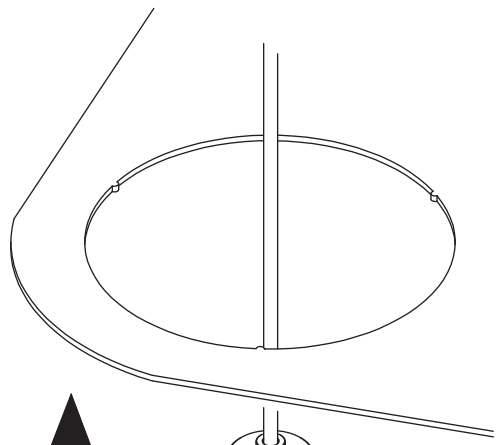


\* Screw gently, but firmly

10

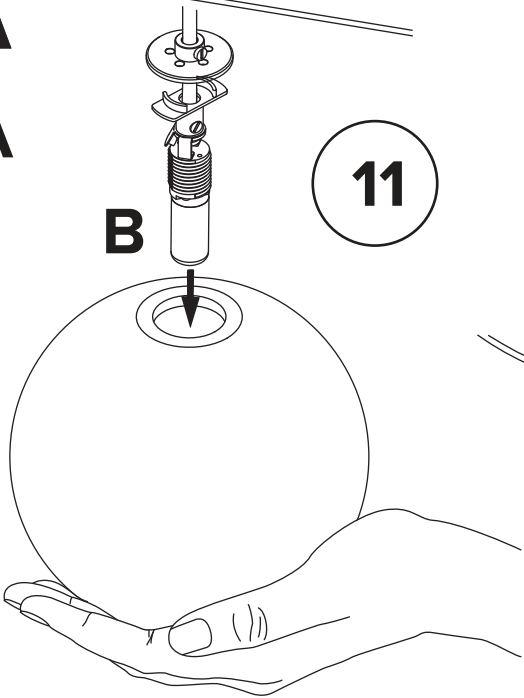


\* To ensure safety,  
**PLEASE FOLLOW THESE STEPS  
CAREFULLY**

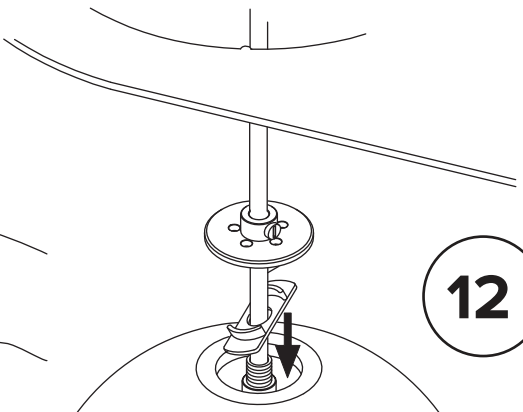


A

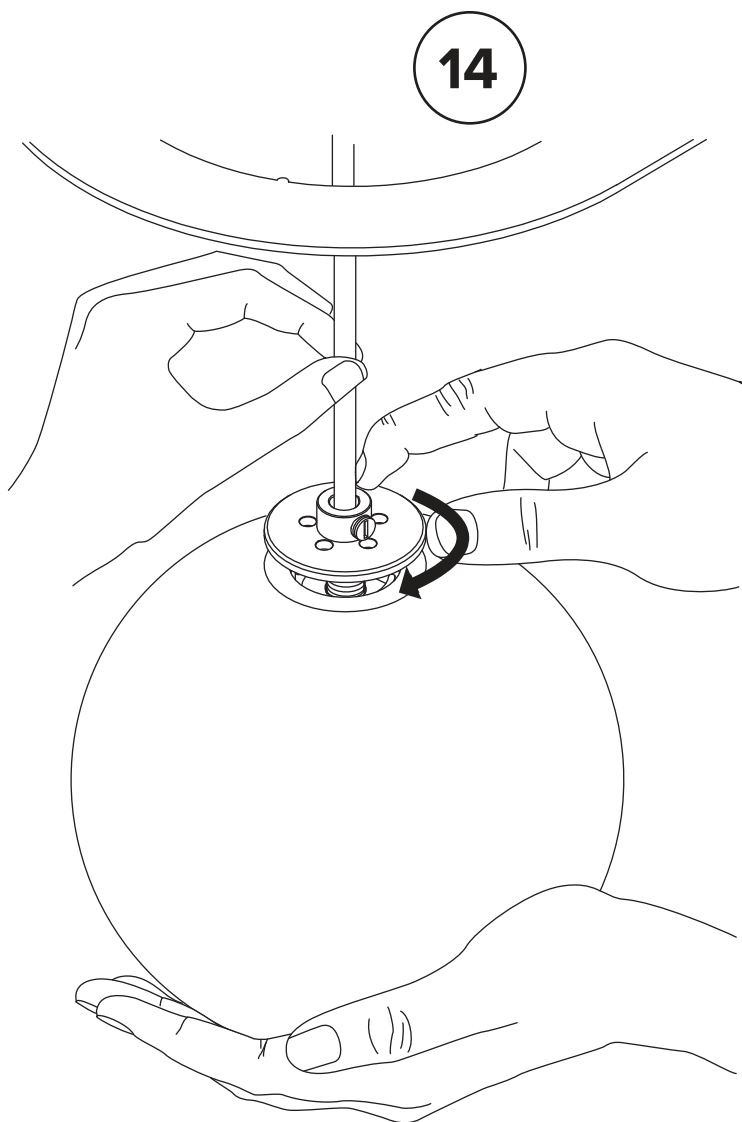
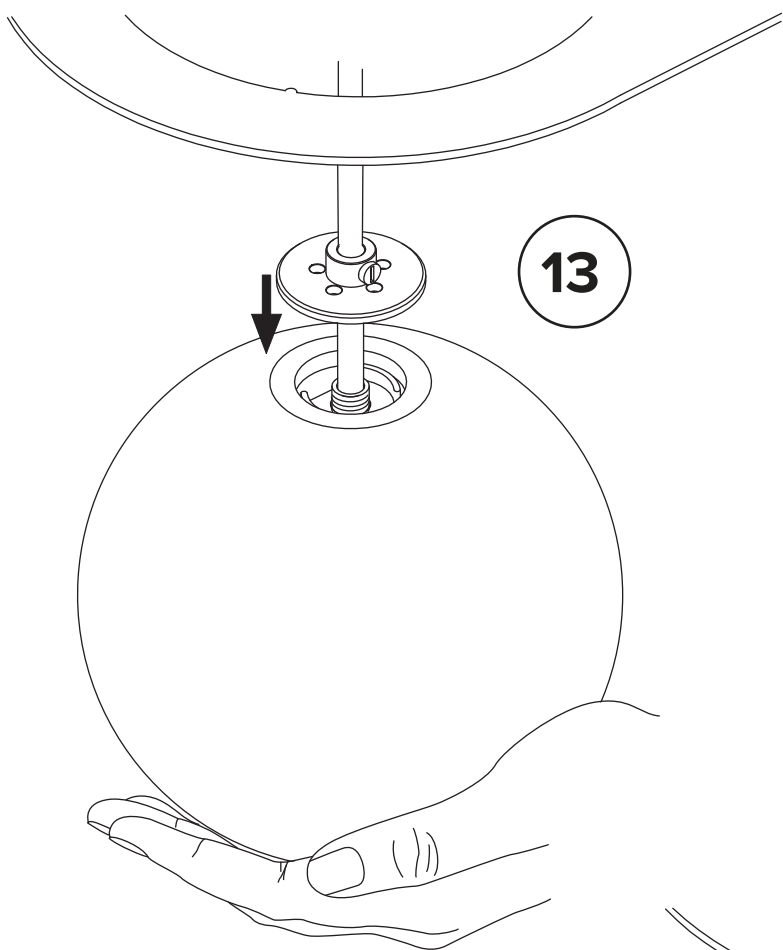
11

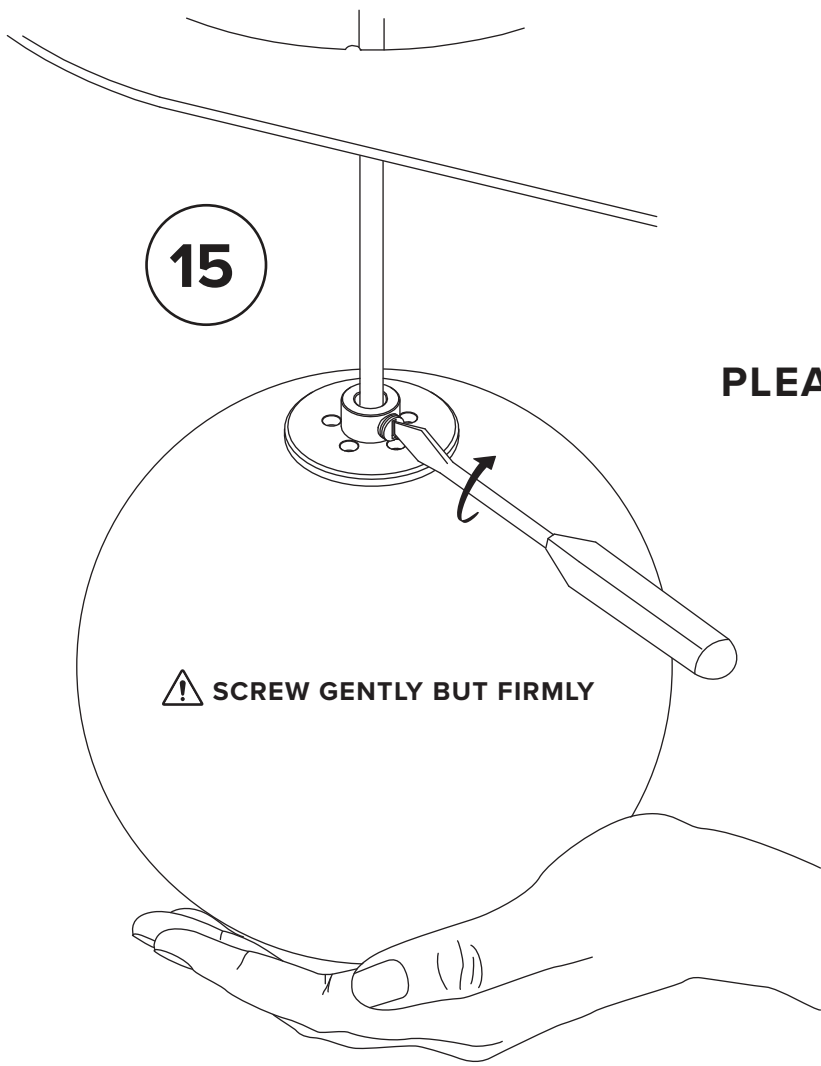


B

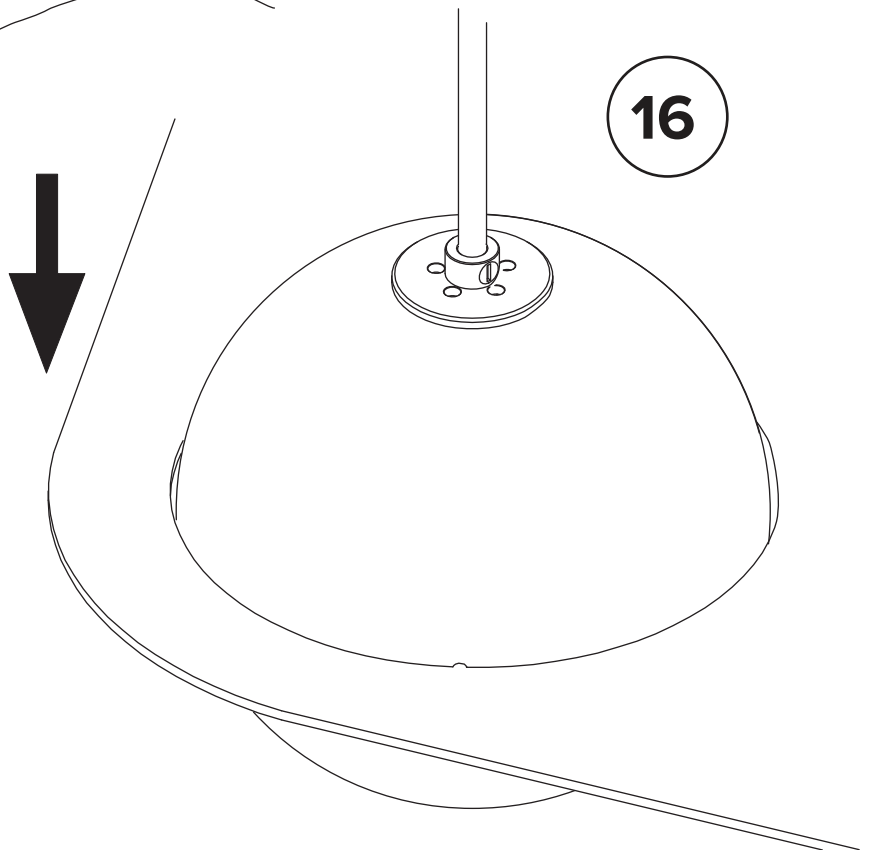


12

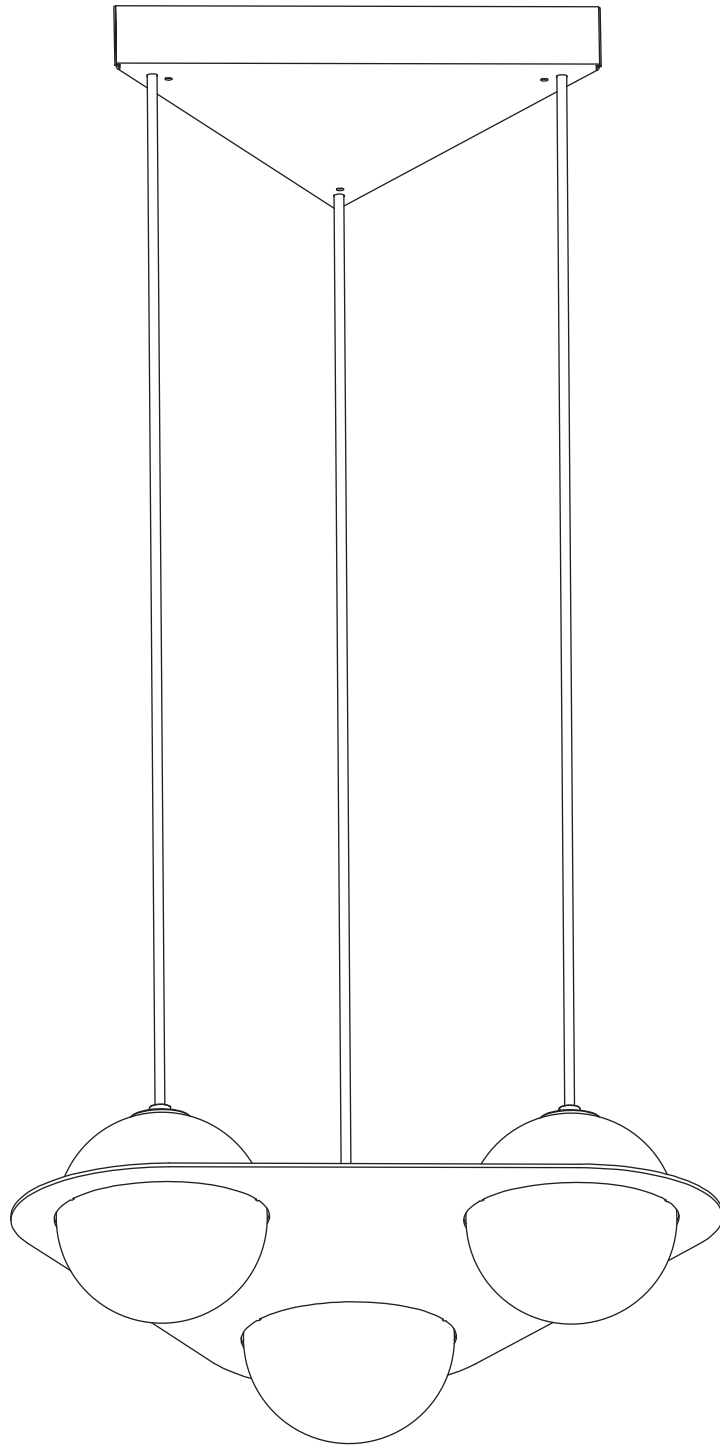




\* To ensure safety,  
**PLEASE FOLLOW THESE STEPS  
CAREFULLY**







**lambert&fils**