
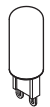
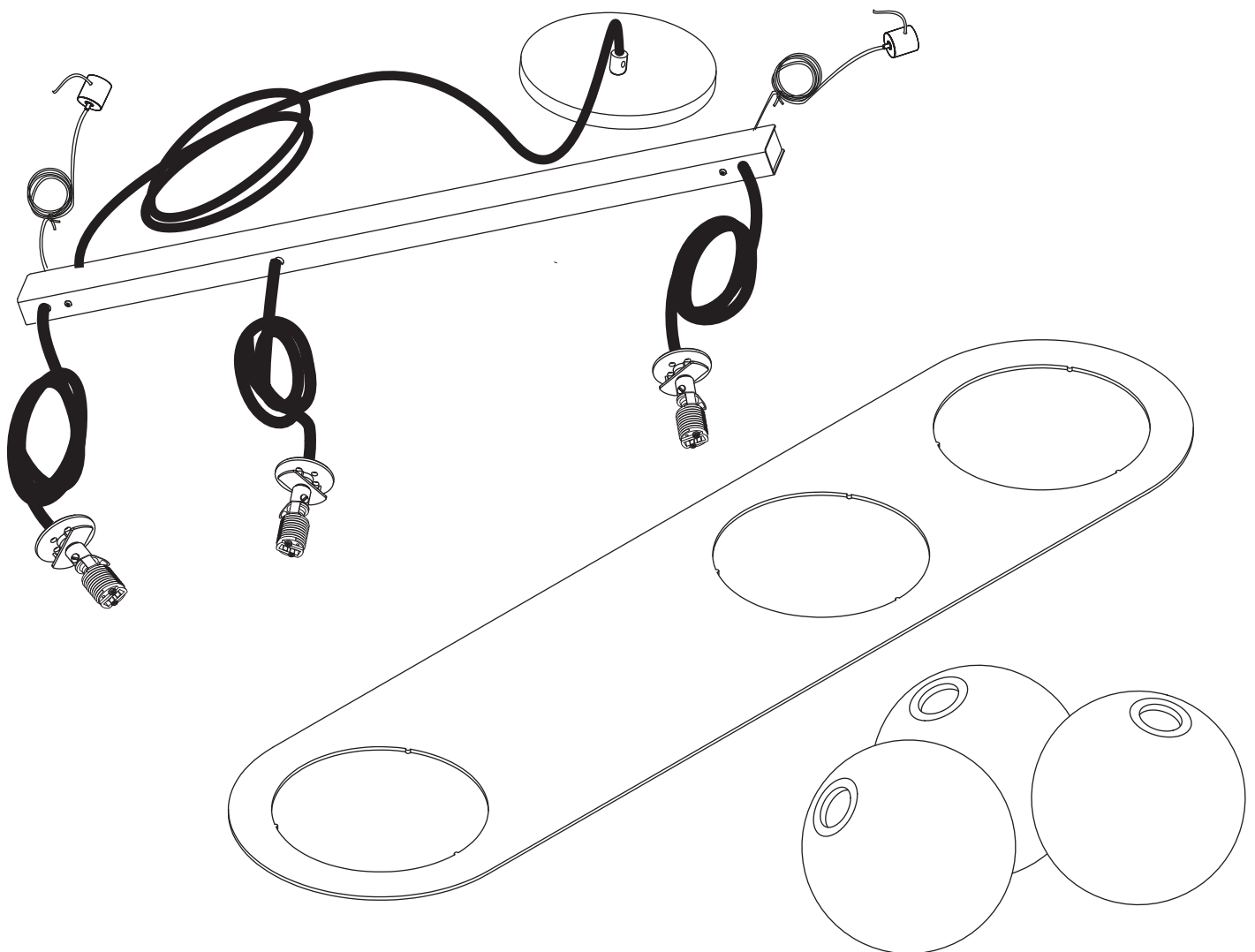


LAURENT 07

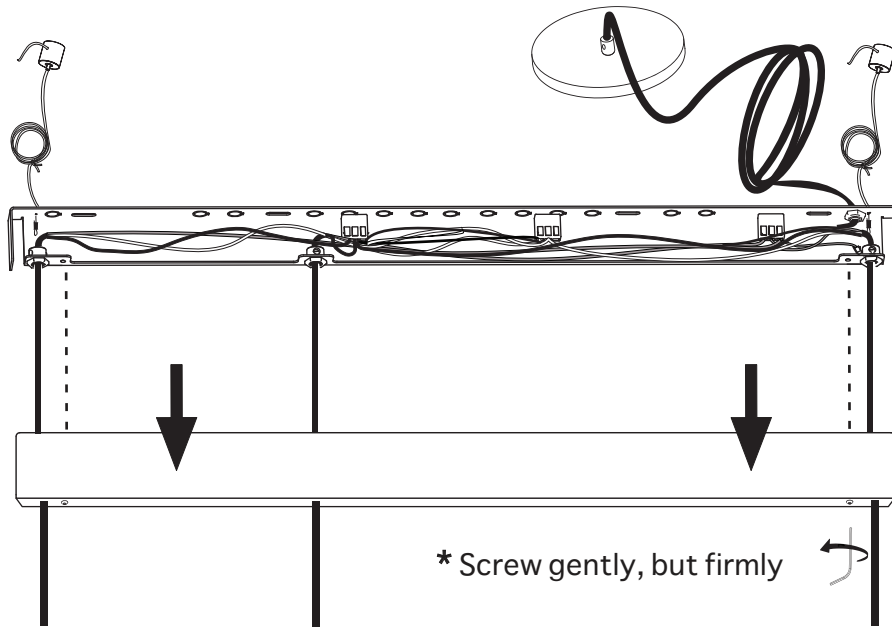
1 x  3 x 



- To be installed by an electrician to an electrical box
- Use appropriate screws and anchors where necessary
- Wear enclosed gloves when handling lamp
- Handle materials with care. Please consult lamp maintenance sheet on our web site
- Should be used exclusively as a lamp and not as a shelving, display or hanging unit

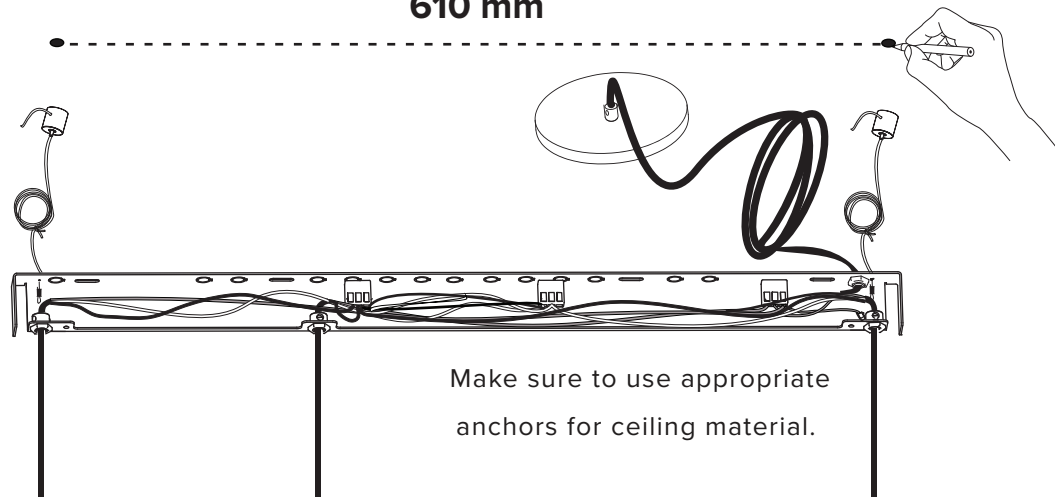


1

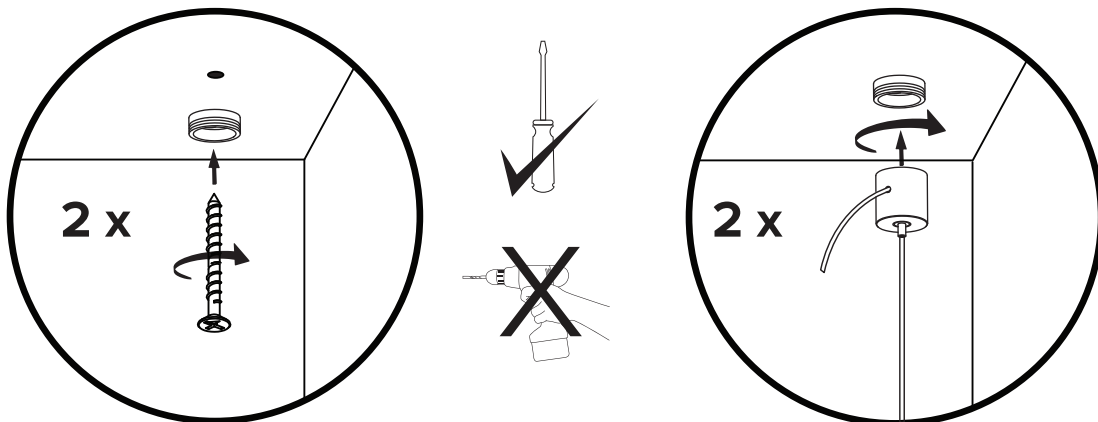


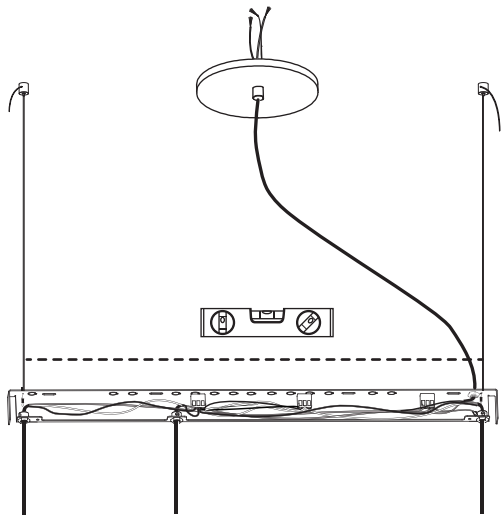
24"
610 mm

2

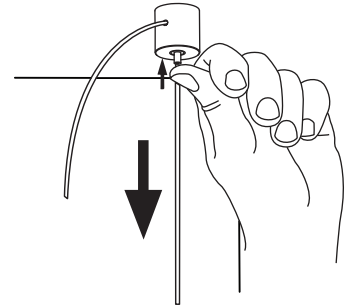
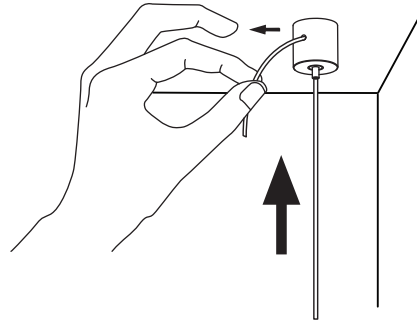
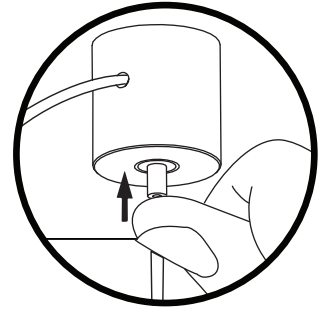


3

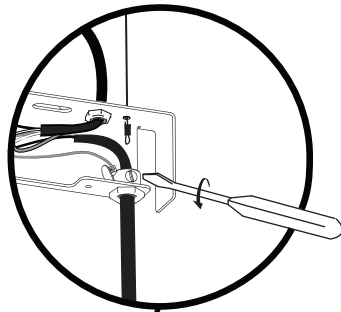
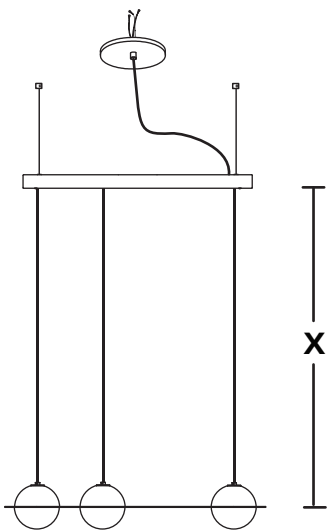




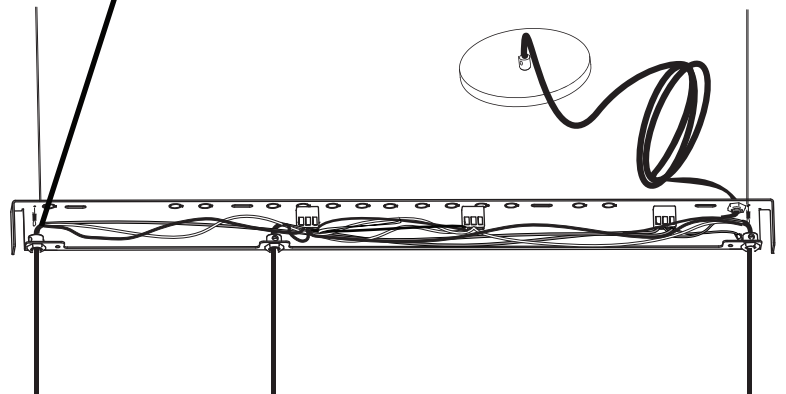
4



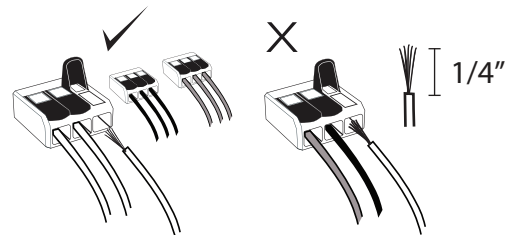
5

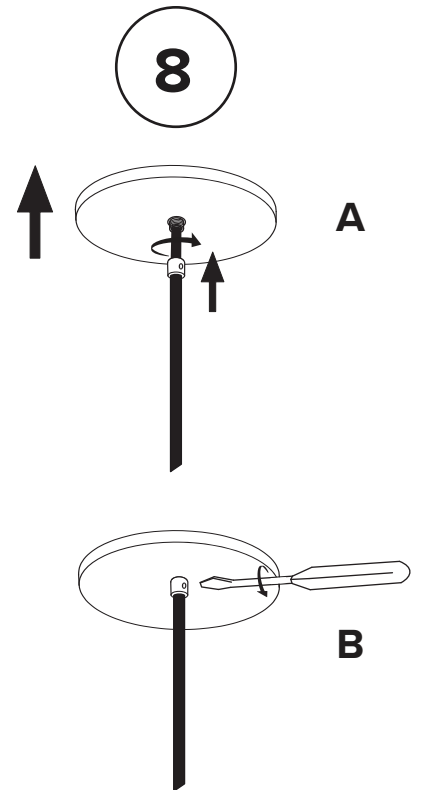
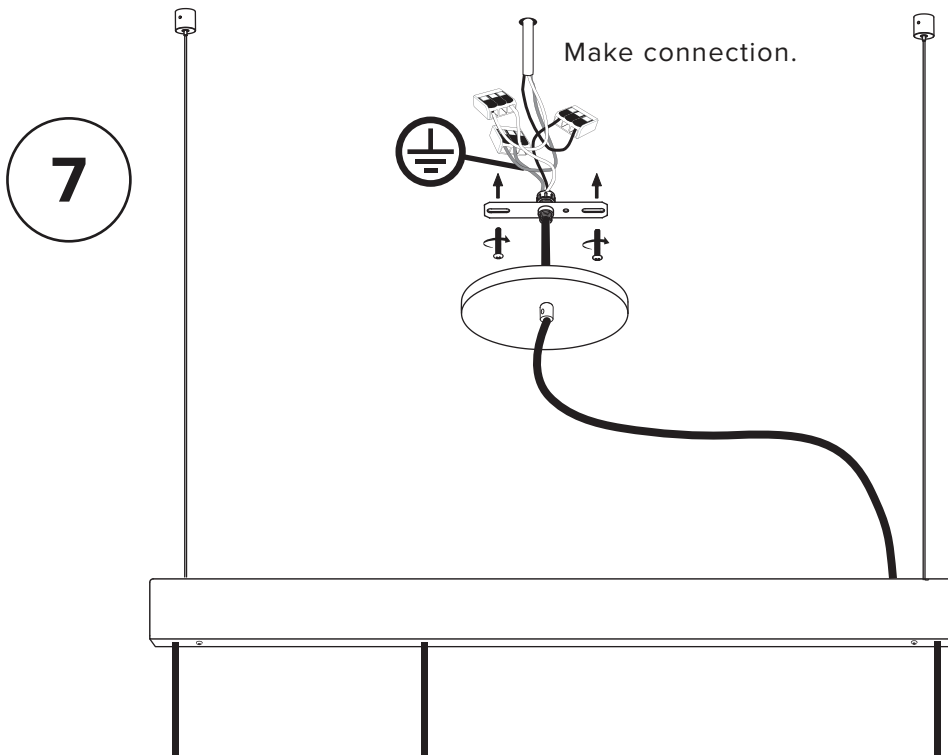
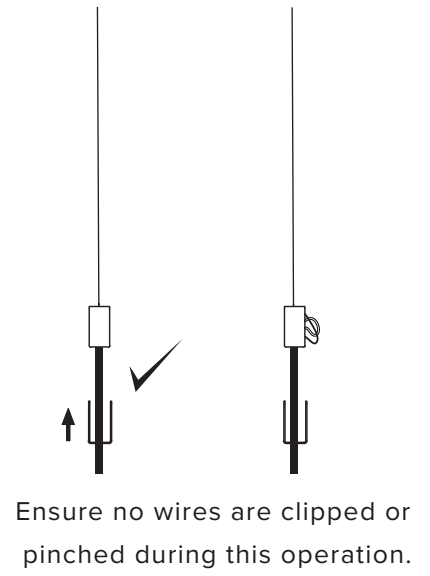
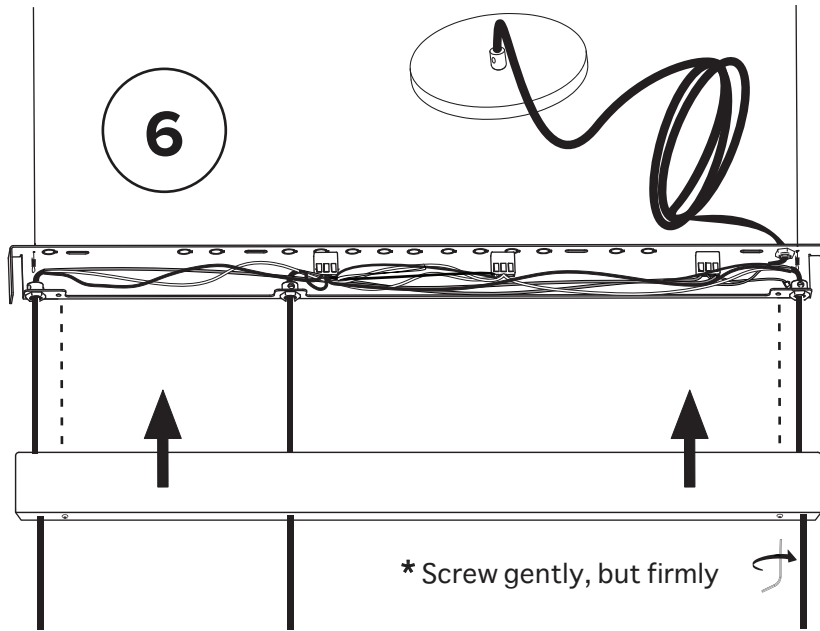


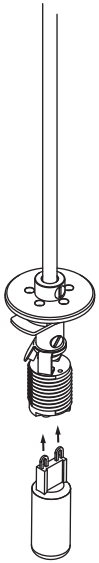
Loosen set screw to adjust wire length. Screw back gently but firmly, when desired wire length is reached



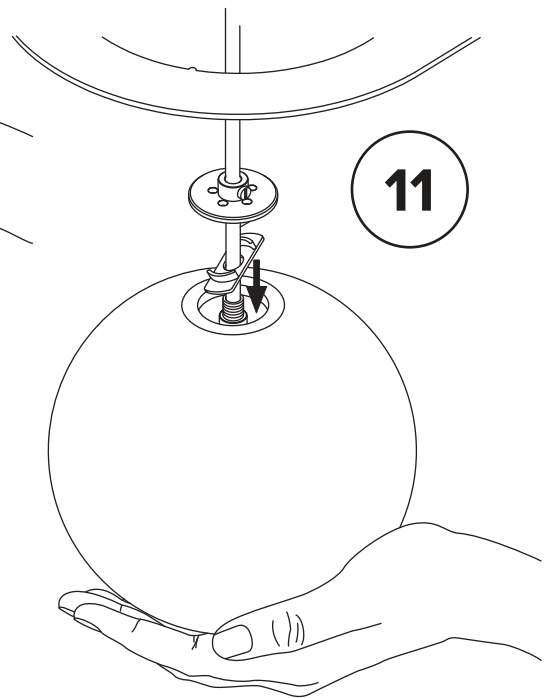
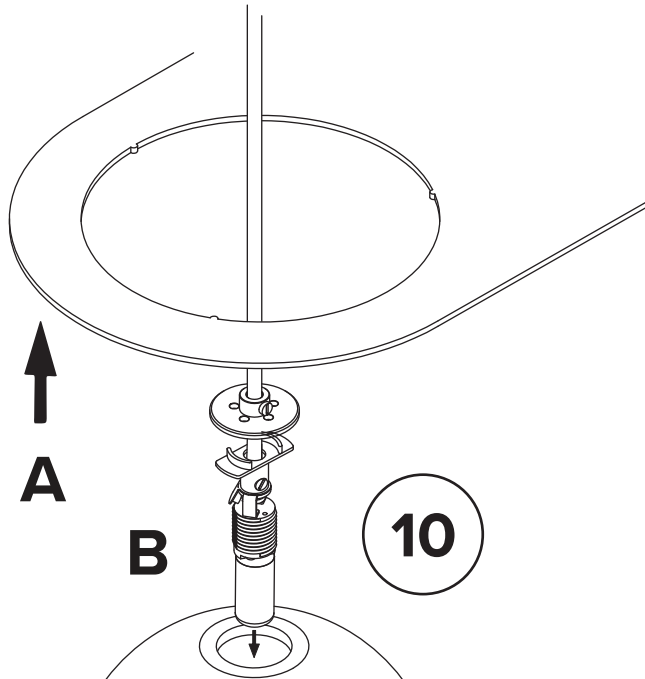
Trim wires to desired length (X).
Do not leave a large excess of wires
inside canopy. Reconnect them as before.

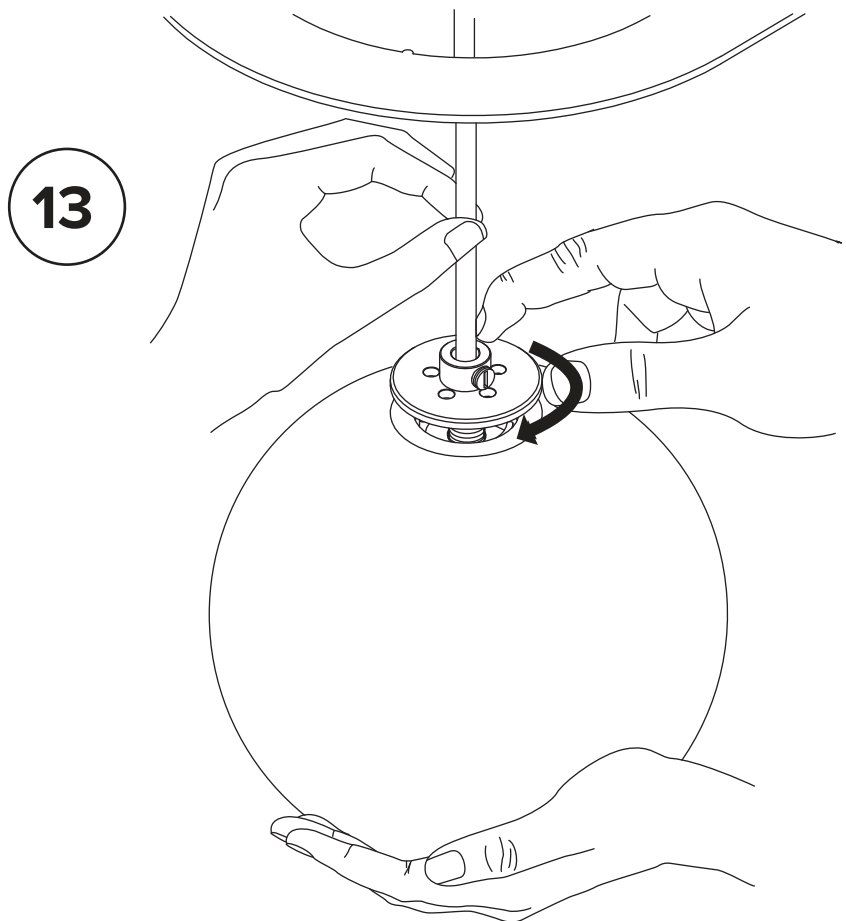
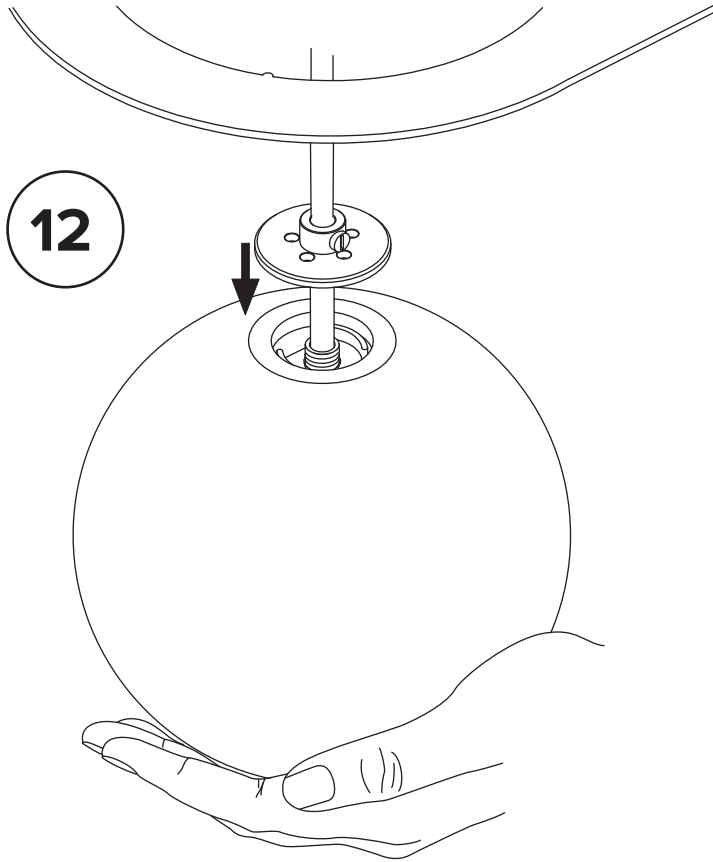


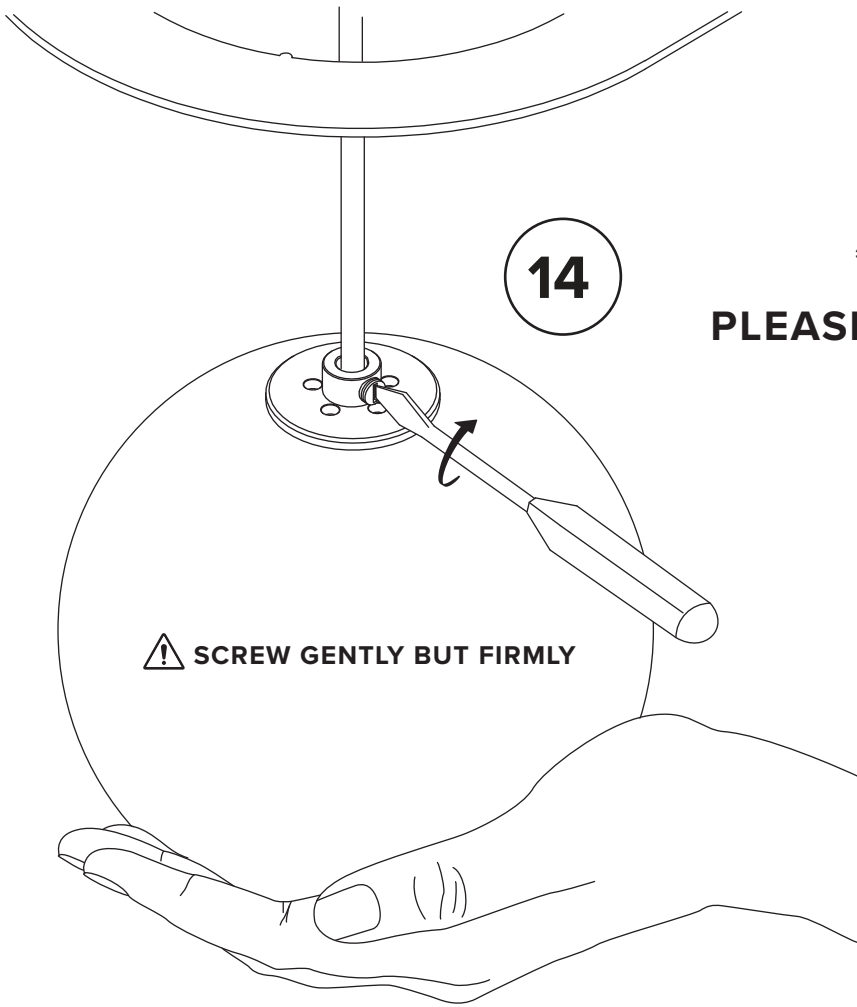




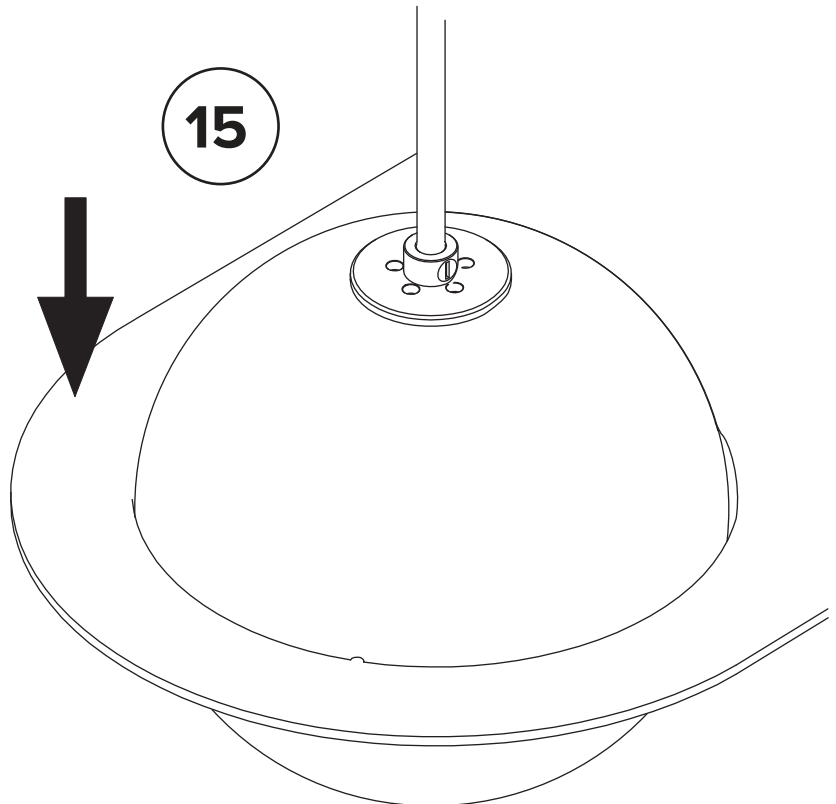
9



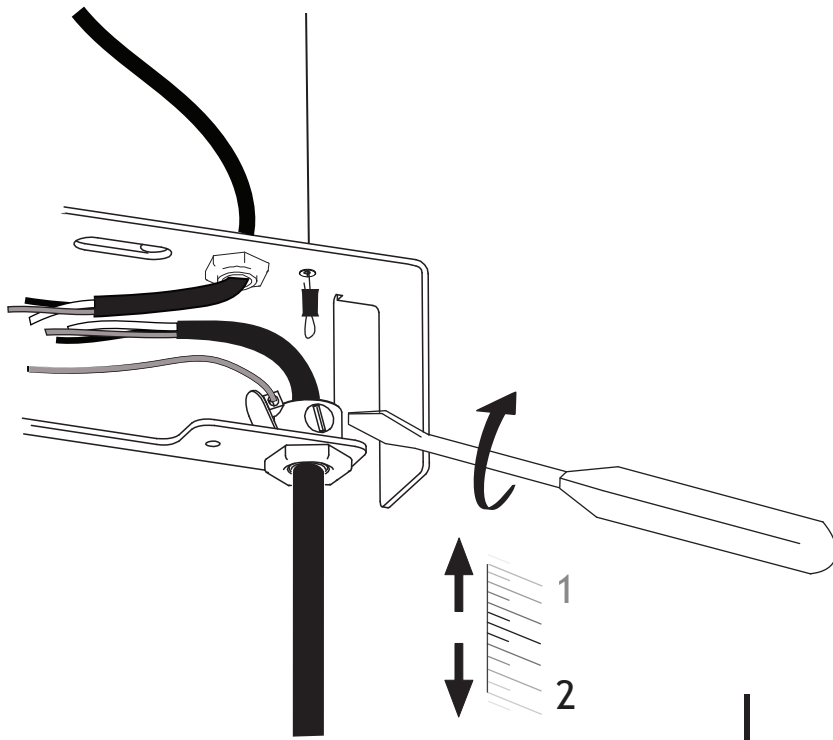




* To ensure safety,
**PLEASE FOLLOW THESE STEPS
CAREFULLY**

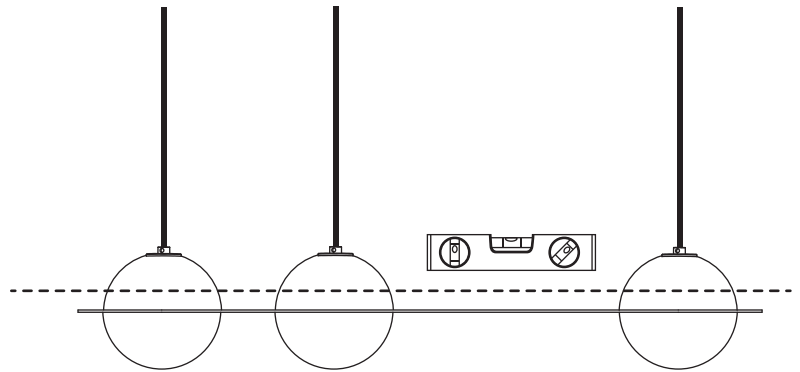
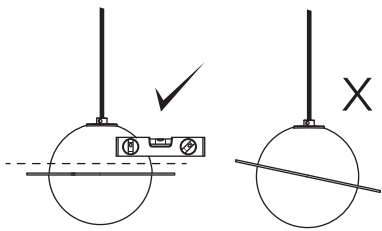


16

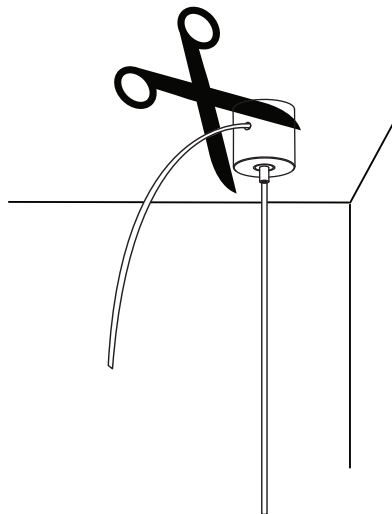


Make sure the globes are level
by micro-adjusting the wire
lengths.

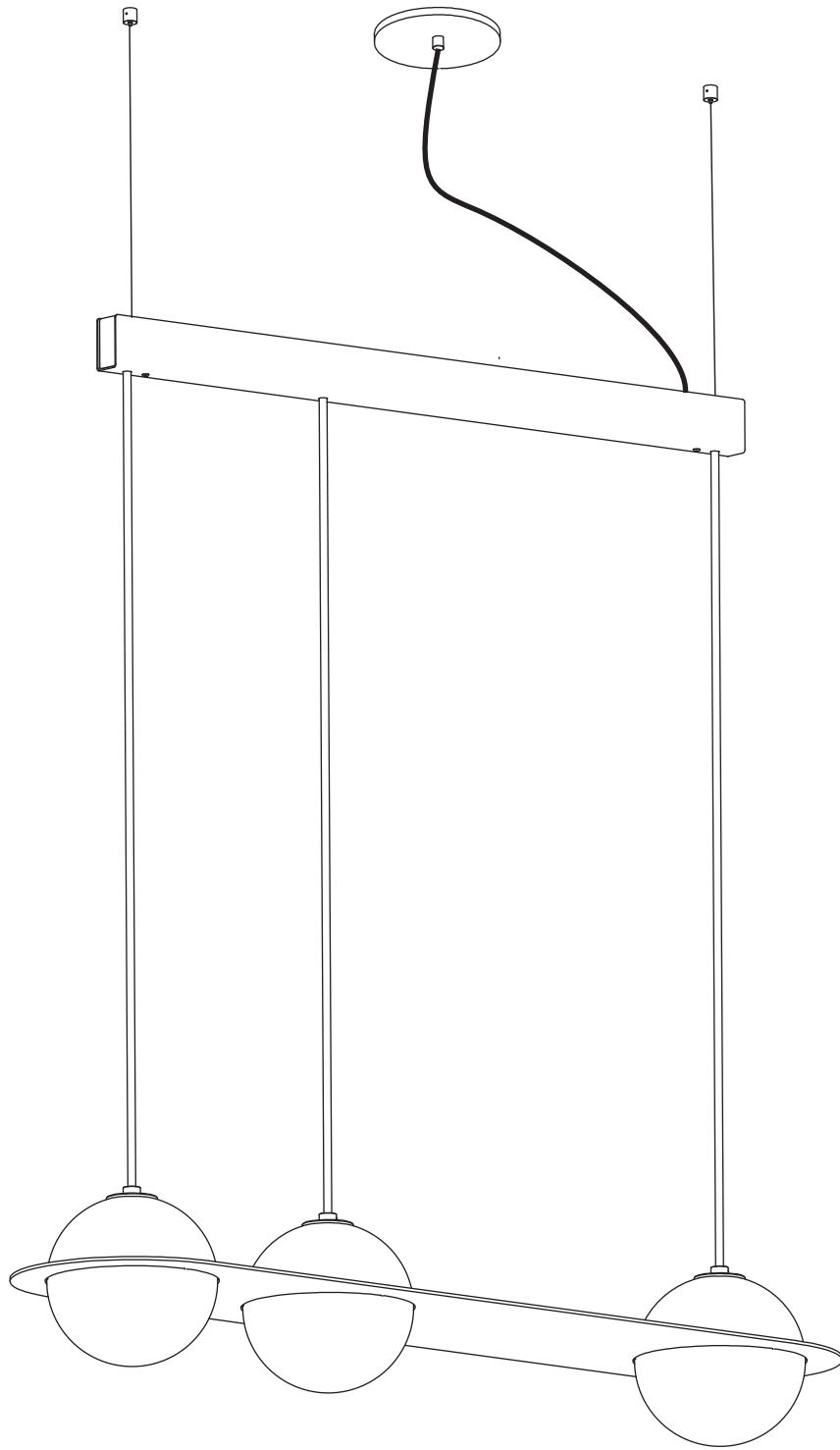
SCREW GENTLY BUT FIRMLY



17



Trim extra cable when desired
height and level are achieved.



lambert&fils