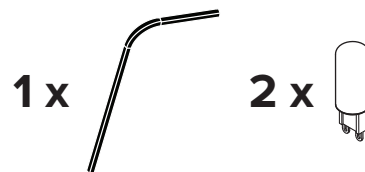
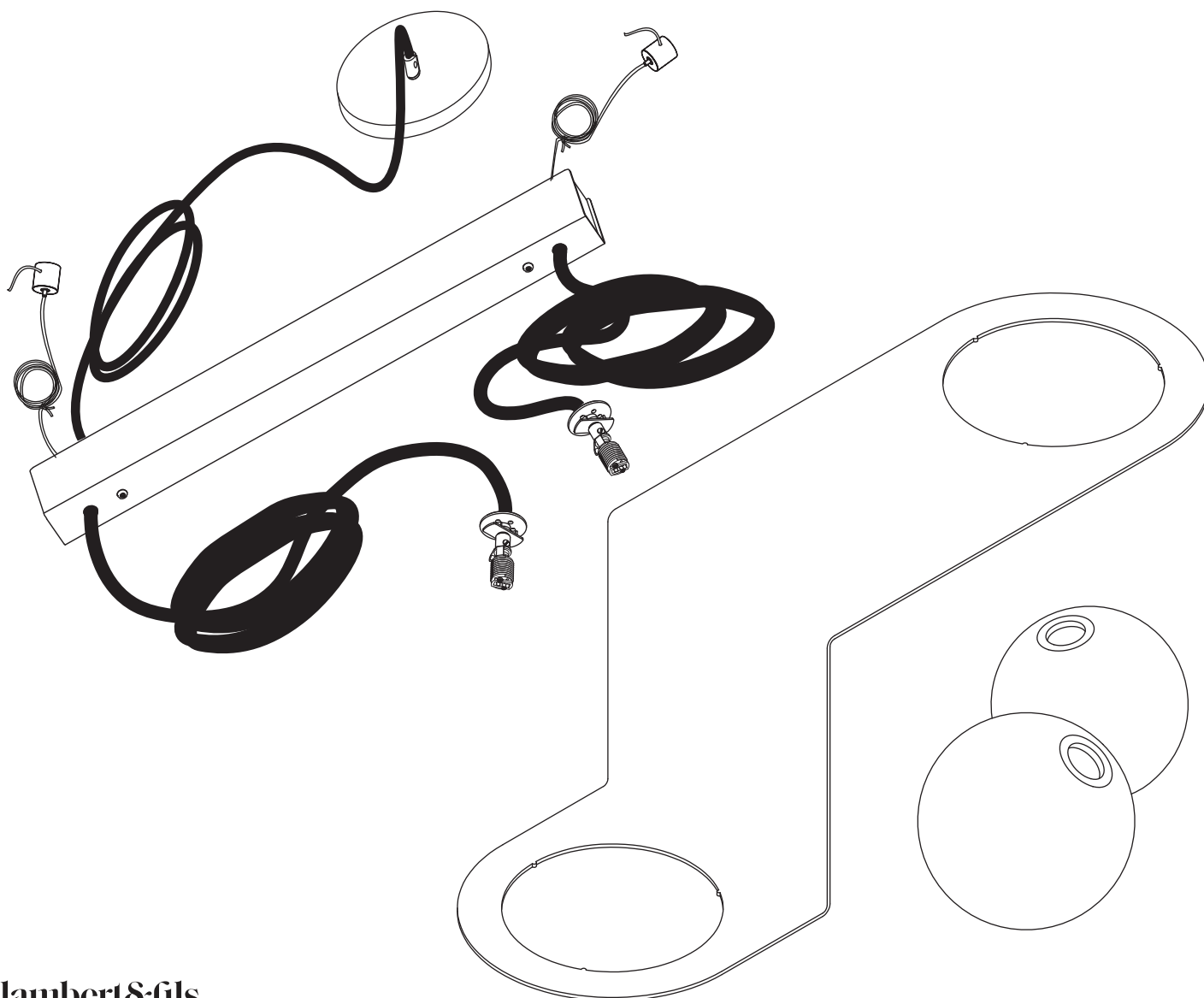


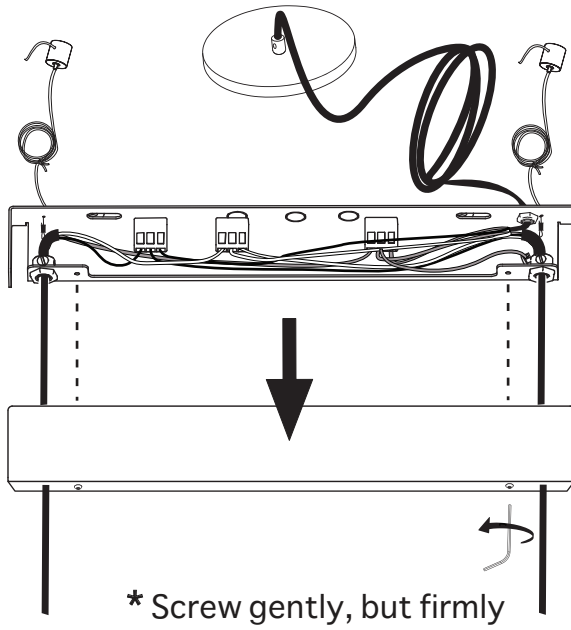
LAURENT 06



- To be installed by an electrician to an electrical box
- Use appropriate screws and anchors where necessary
- Wear enclosed gloves when handling lamp
- Handle materials with care. Please consult lamp maintenance sheet on our web site
- Should be used exclusively as a lamp and not as a shelving, display or hanging unit



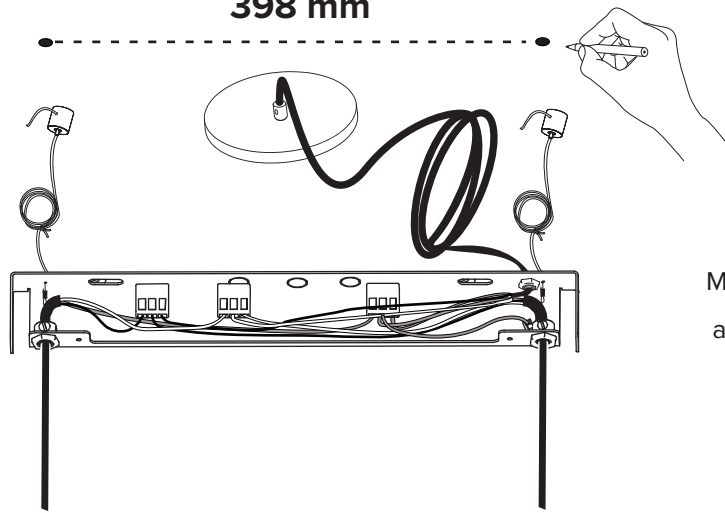
1



* Screw gently, but firmly

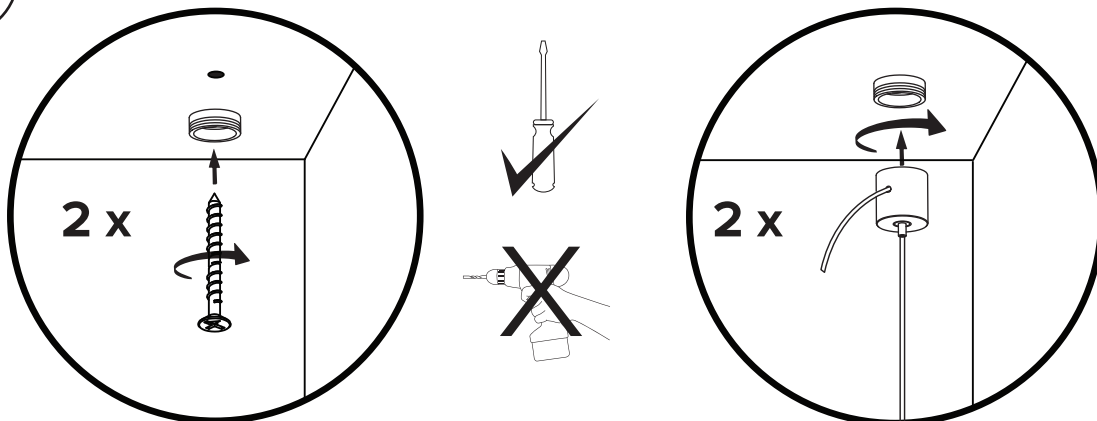
15 5/8" ¹¹
398 mm

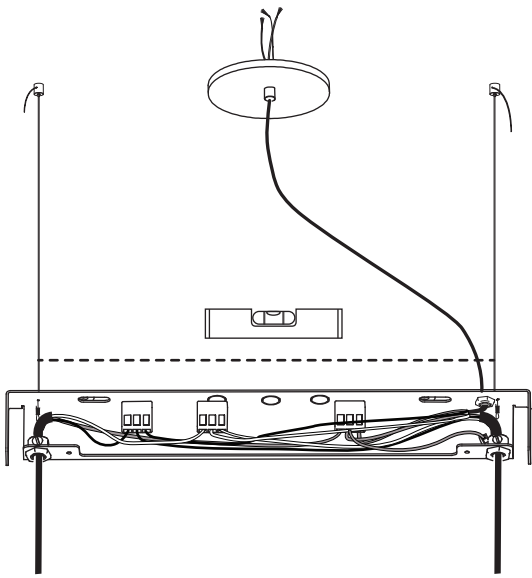
2



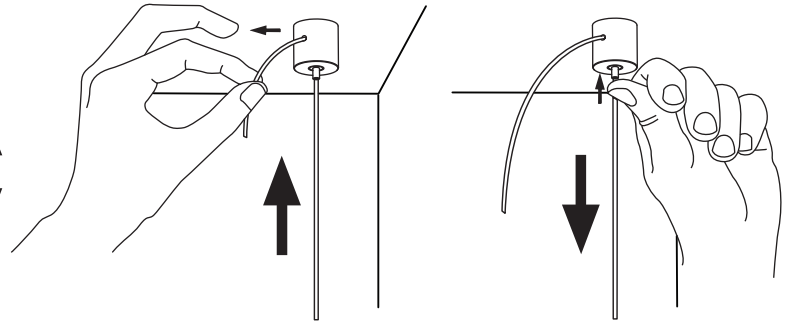
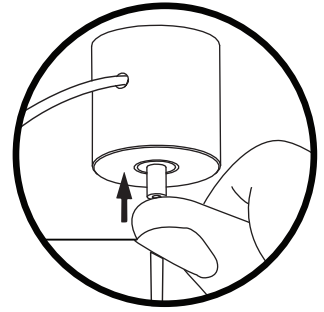
Make sure to use appropriate anchors for ceiling material.

3

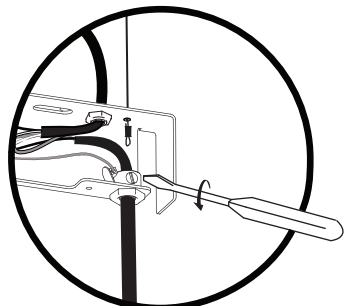
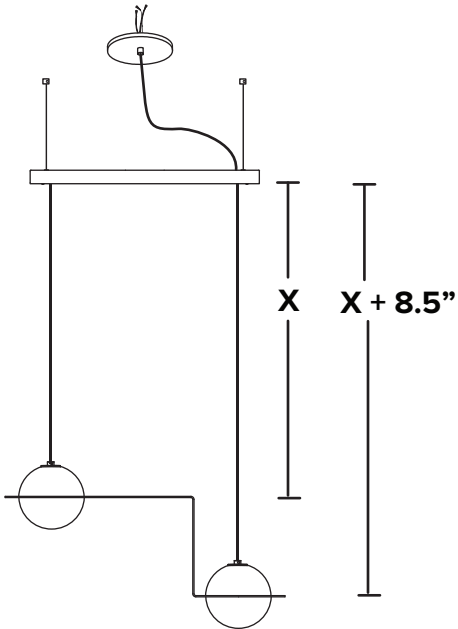




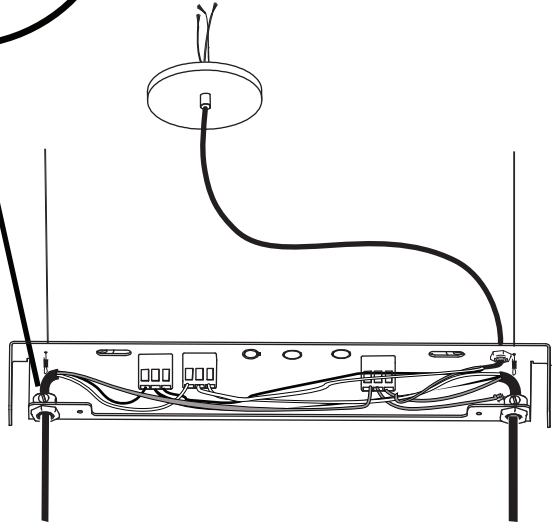
4



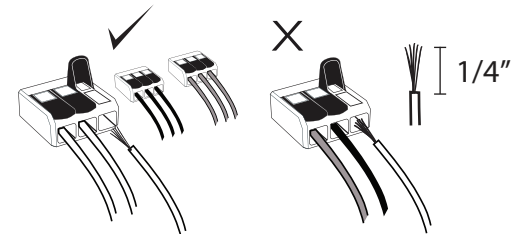
5



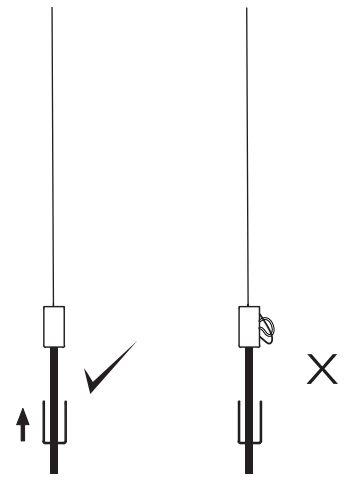
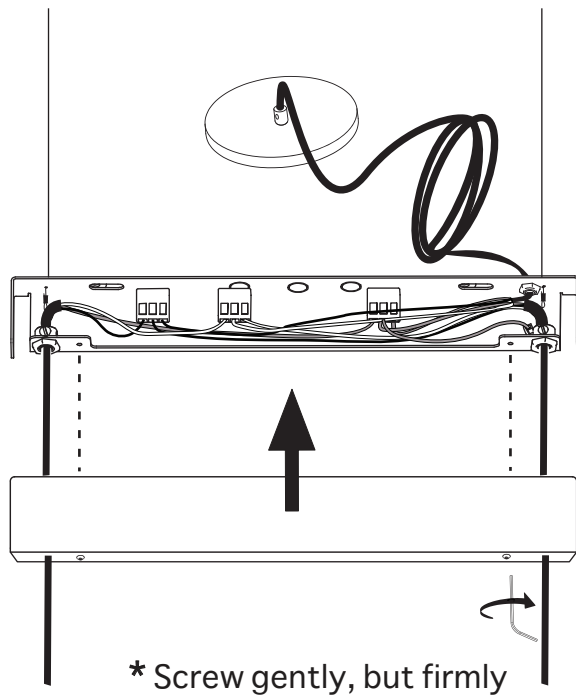
Loosen set screw to adjust wire length. Screw back gently but firmly, when desired wire length is reached



Trim wires to desired length (X). Do not leave a large excess of wires inside canopy. Reconnect them as before.

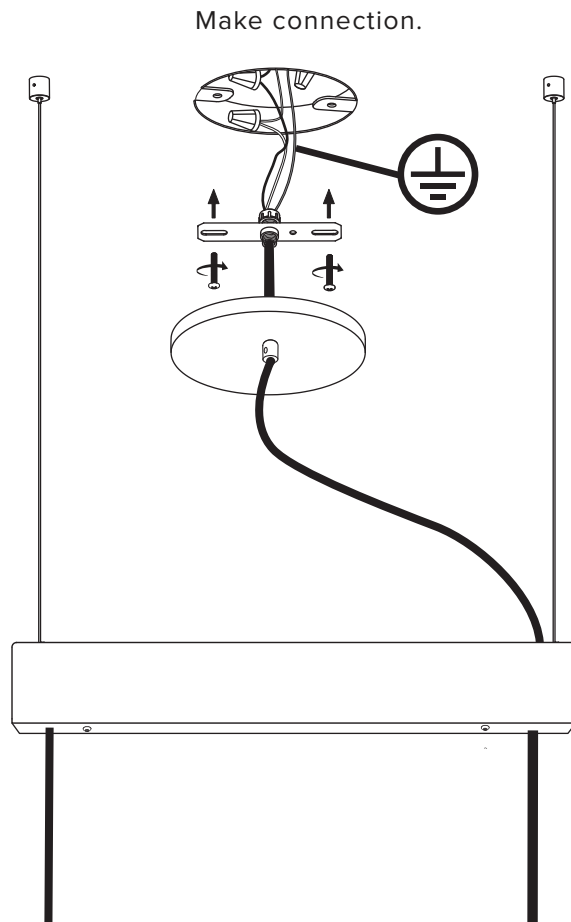


6

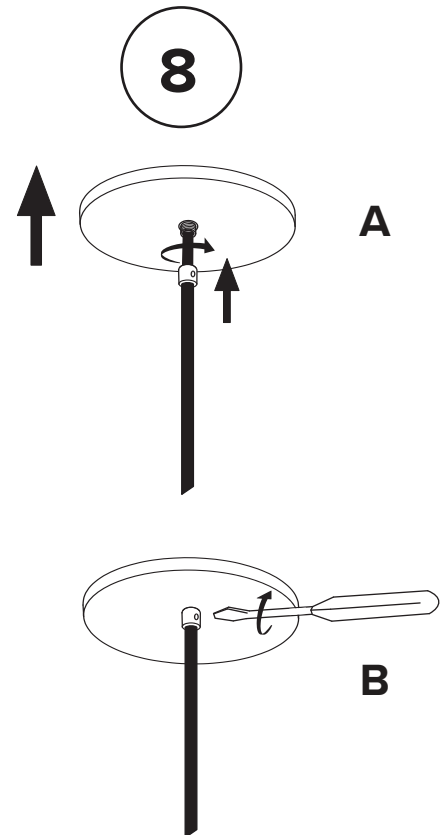


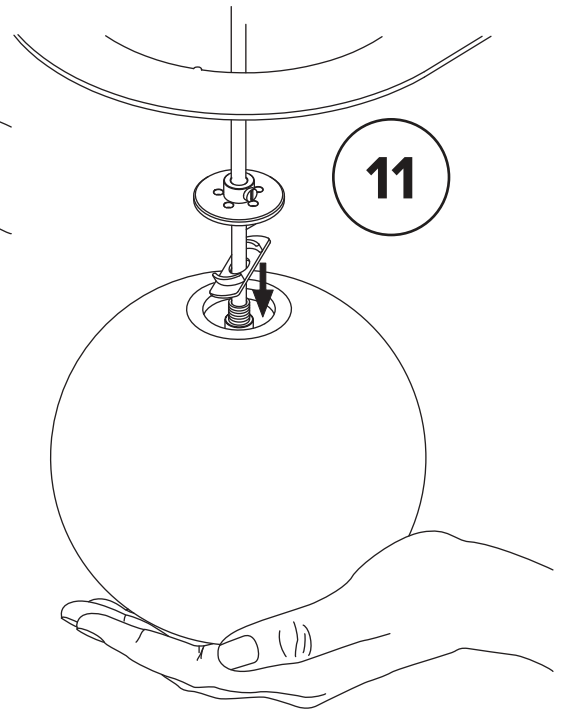
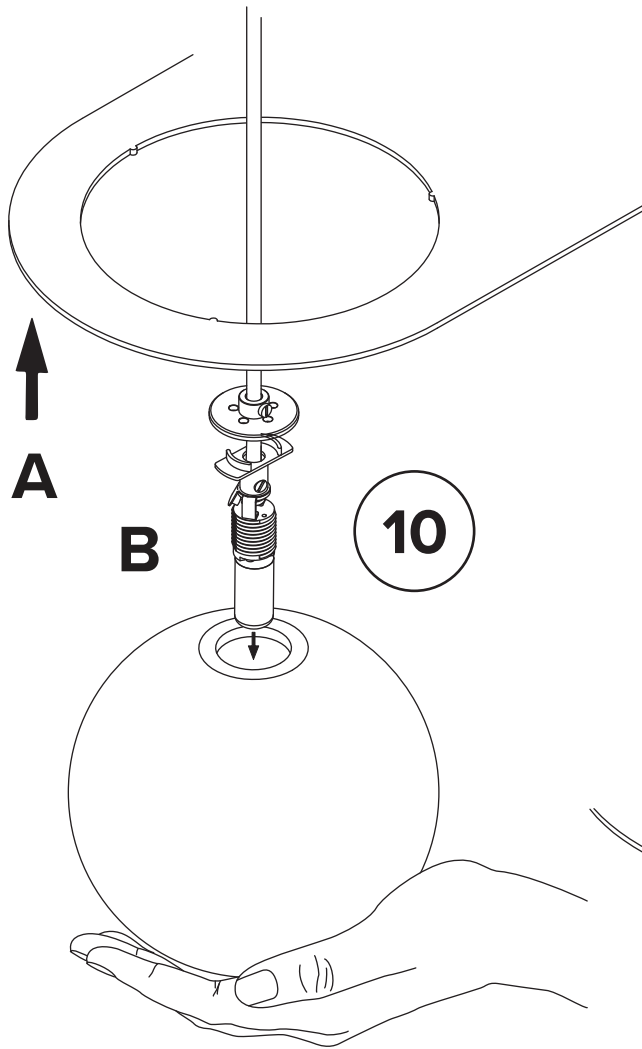
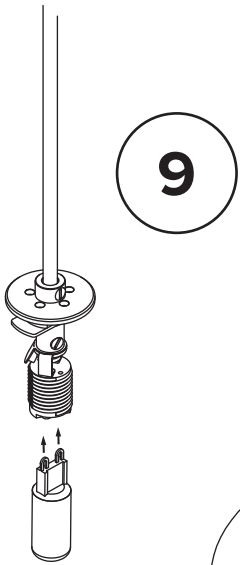
Ensure no wires are clipped or pinched during this operation.

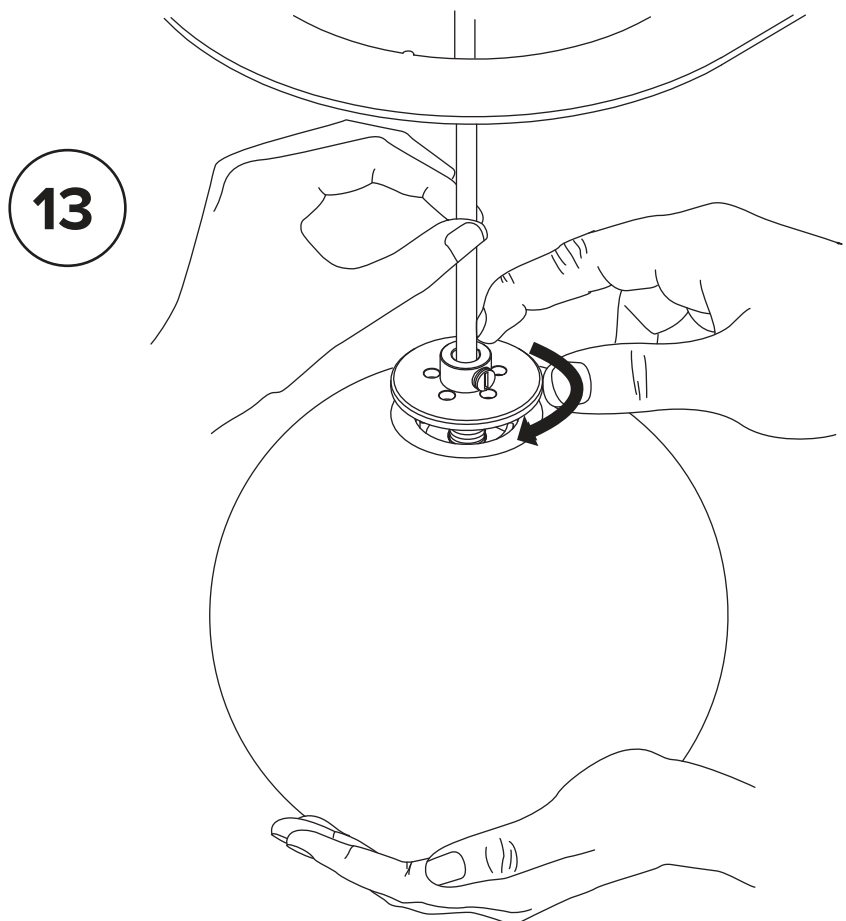
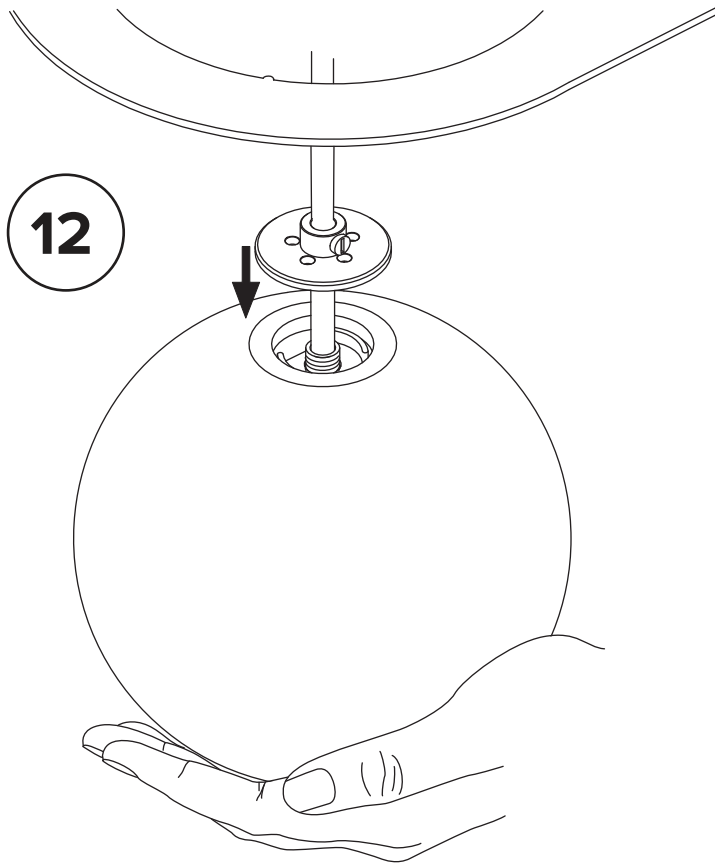
7

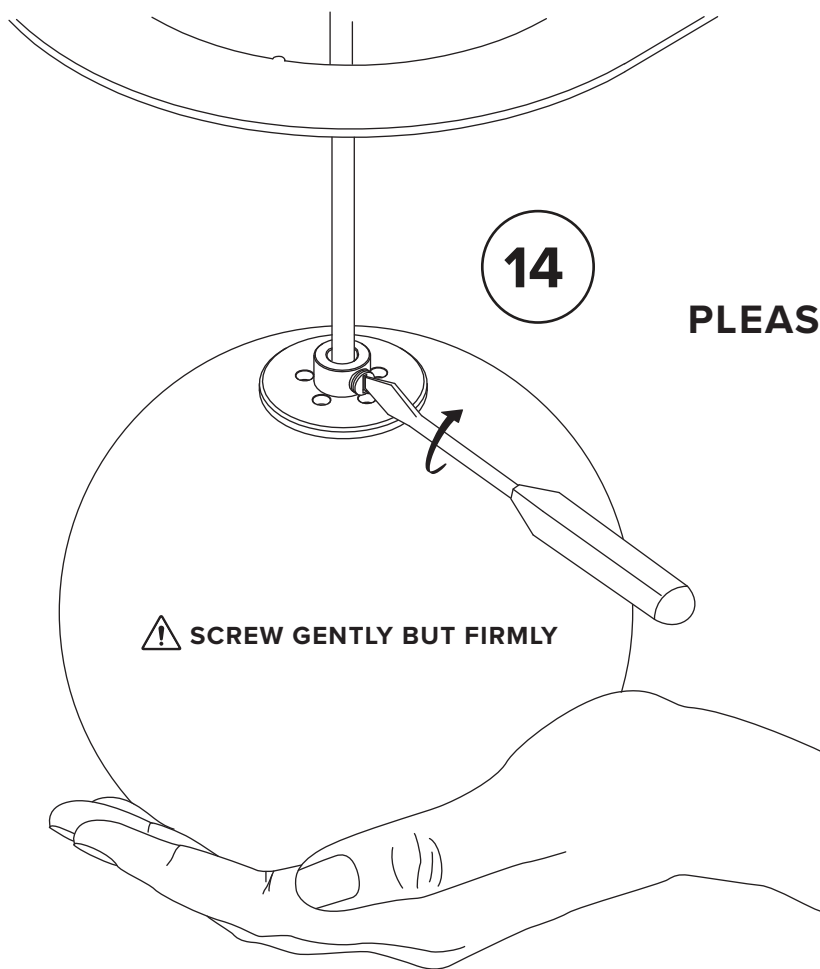


8

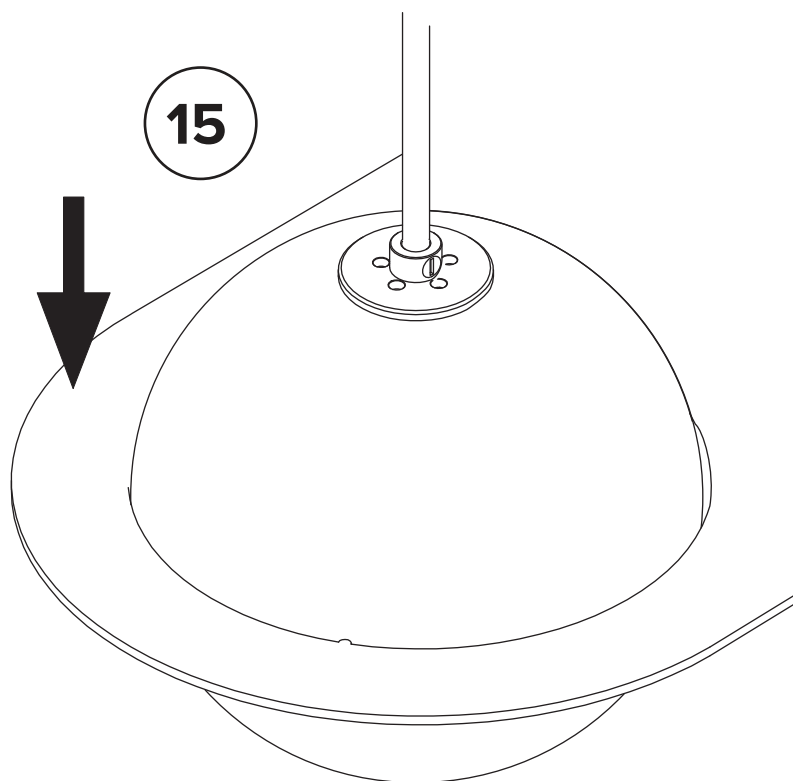


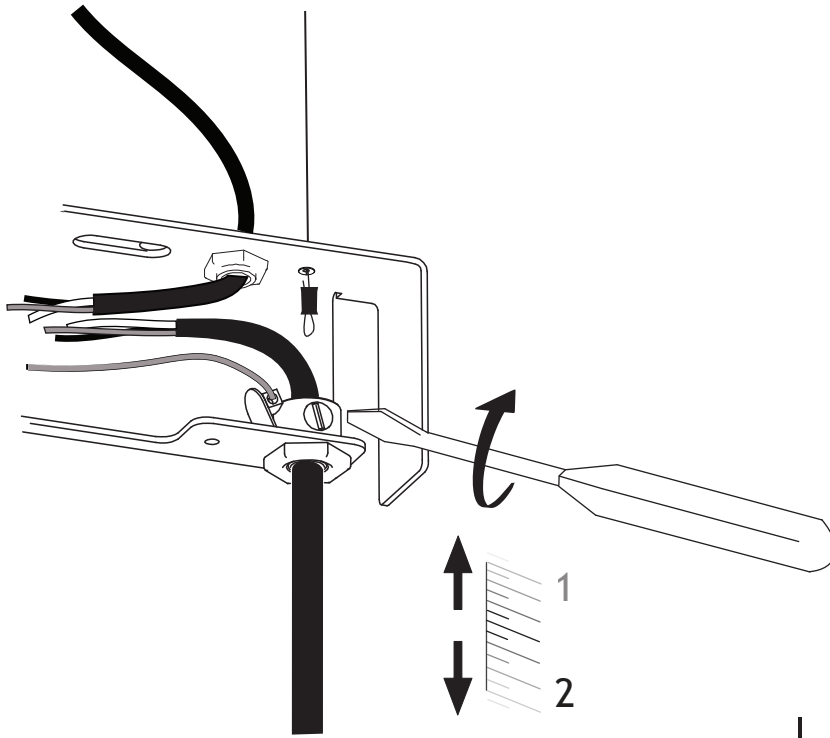






* To ensure safety,
**PLEASE FOLLOW THESE STEPS
CAREFULLY**

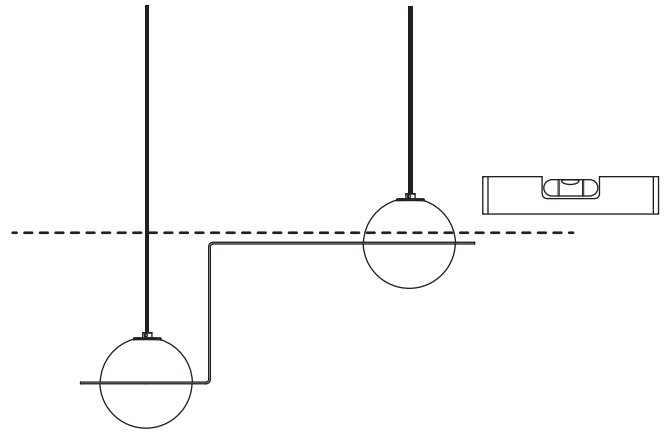
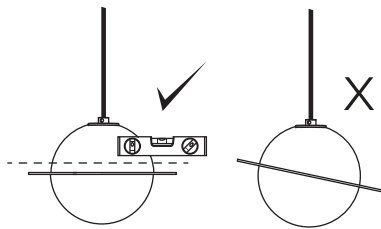




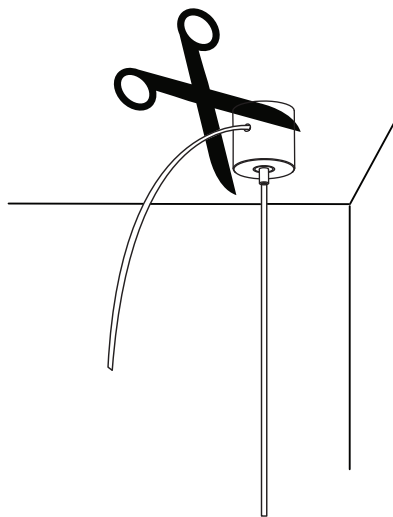
16

Make sure the globes are level by micro-adjusting the wire lengths.

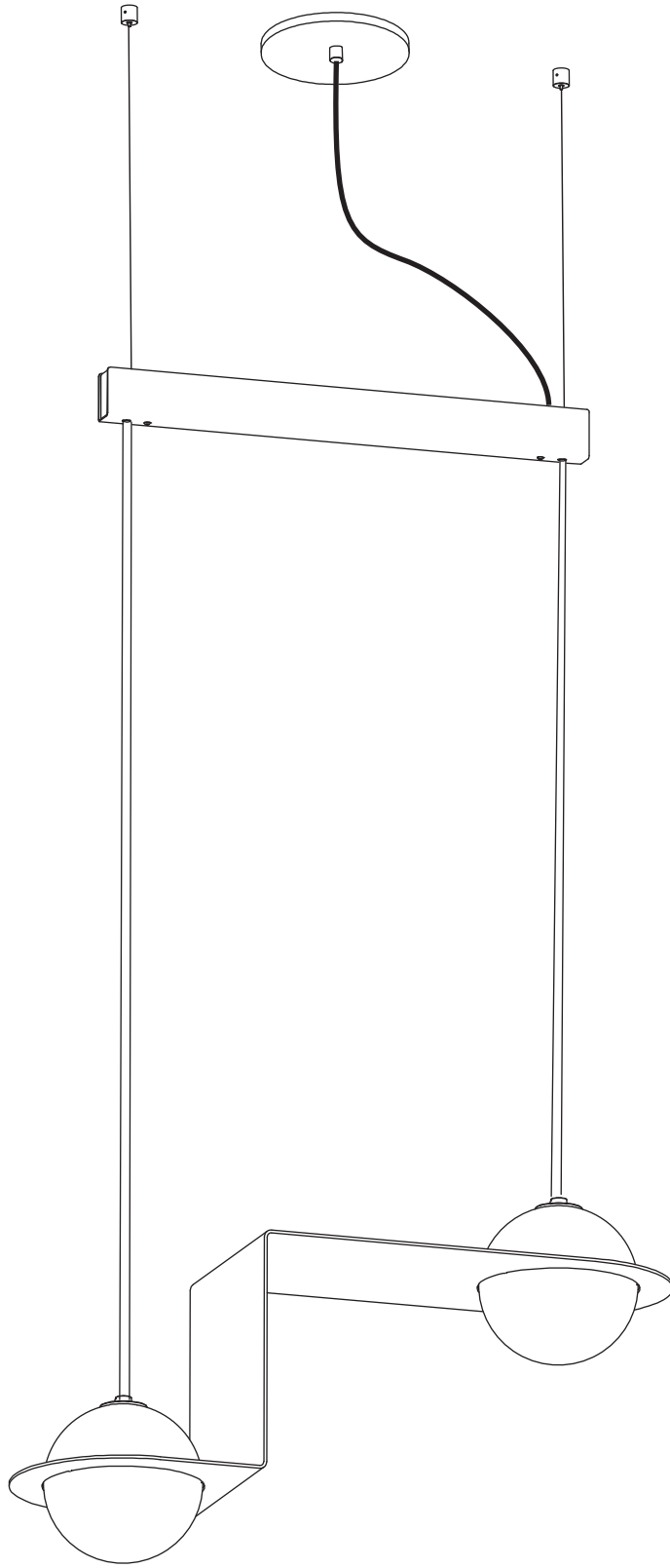
SCREW GENTLY BUT FIRMLY



17



Trim extra cable when desired height and level are achieved.



lambert&fils