

LAURENT 04

5 x



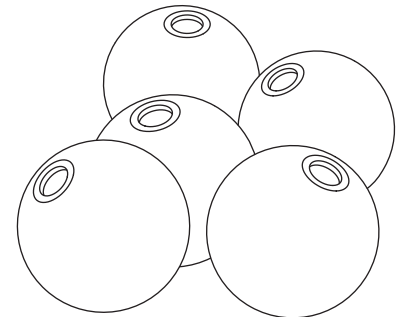
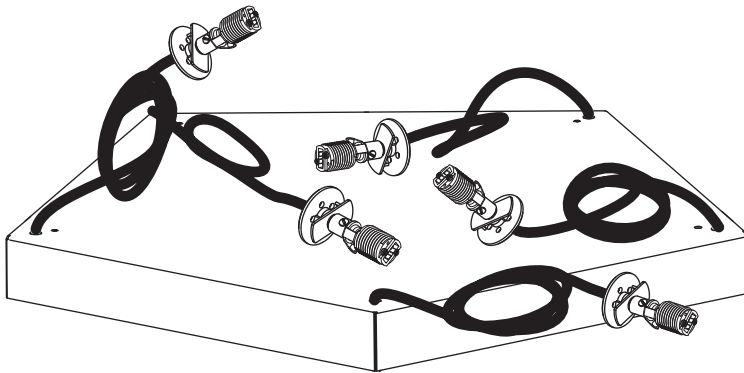
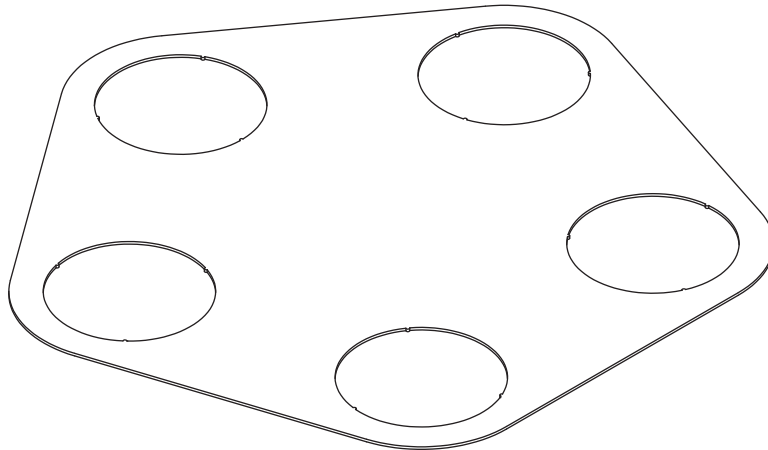
1 x

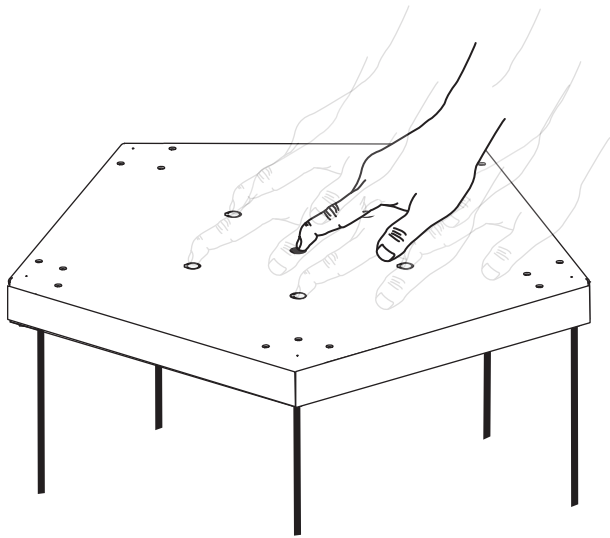


5 x



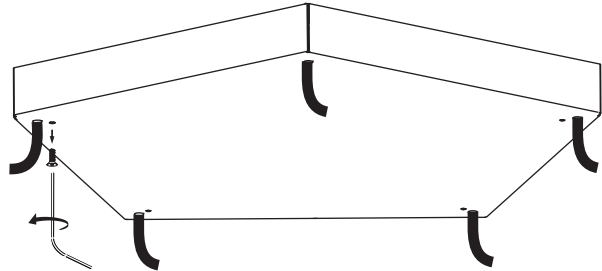
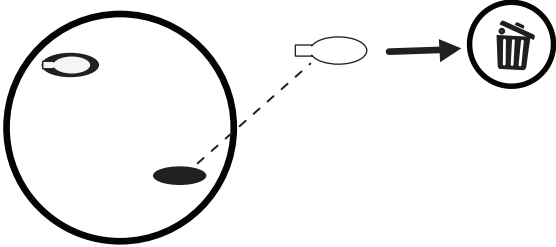
- To be installed by an electrician to an electrical box
- Use appropriate screws and anchors where necessary
- Wear enclosed gloves when handling lamp
- Handle materials with care. Please consult lamp maintenance sheet on our web site
- Should be used exclusively as a lamp and not as a shelving, display or hanging unit





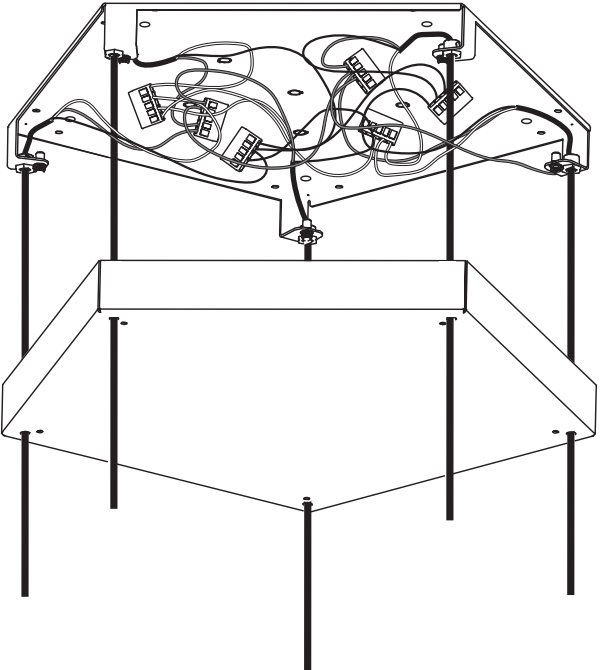
1

Knockout selected hole depending on desired electrical box alignment.



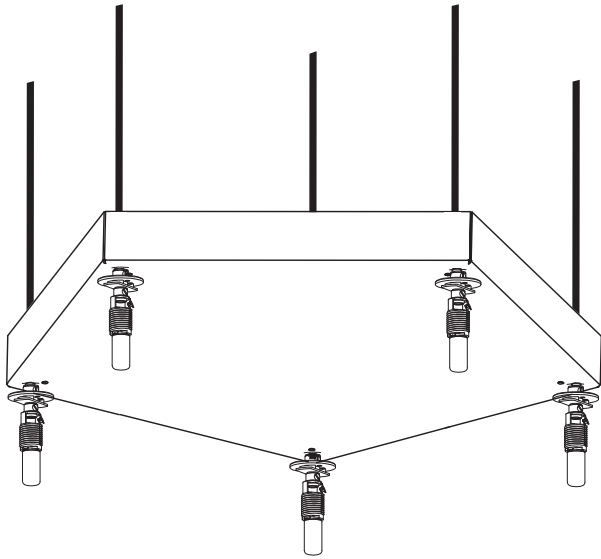
2

Gently unscrew the cover plate using provided allen key.



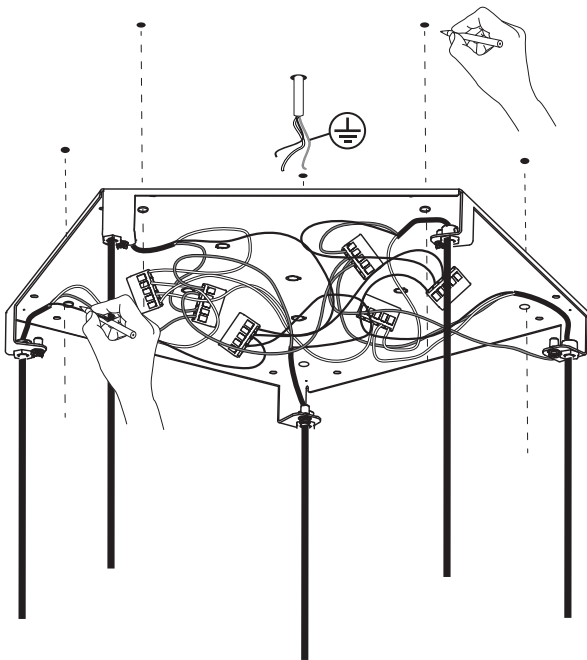
3

Carefully remove cover plate by sliding it along the wires.



4

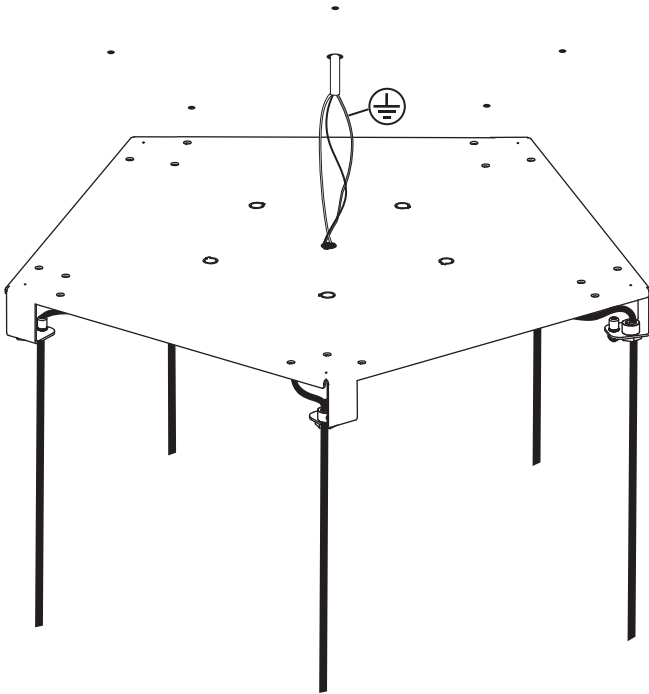
Gently rest cover plate on socket caps.



5

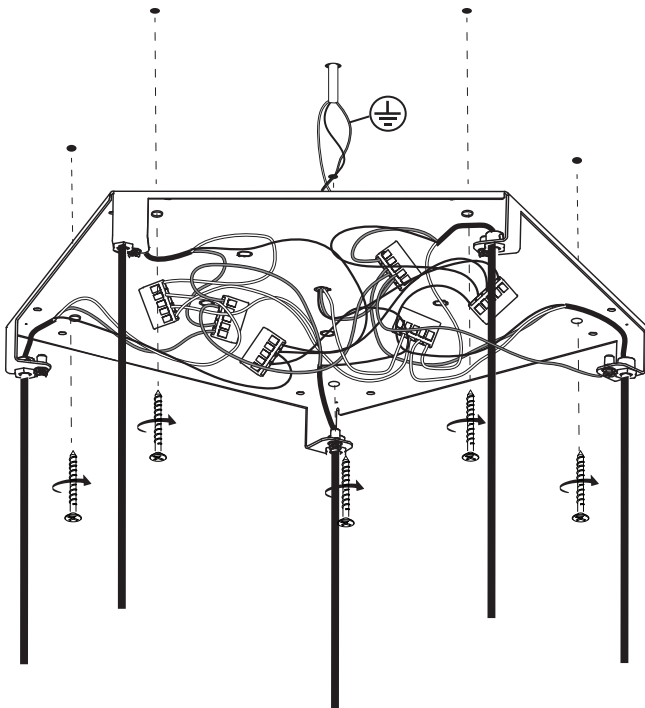
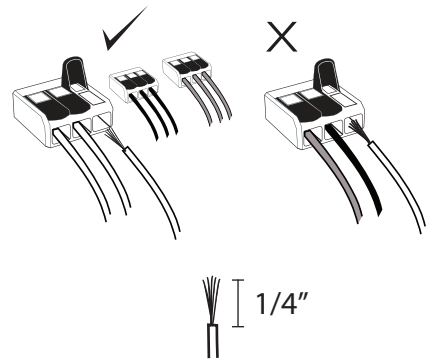
Use the frame as a template to mark your anchoring points to the ceiling by centering it with your junction box.

6



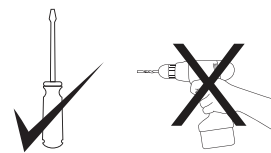
Once the appropriate anchors have been placed, connect your luminaire.

(We recommend this to be a two person operation.)



7

Gently but firmly screw the frame to the ceiling still aligning the center with your junction box.

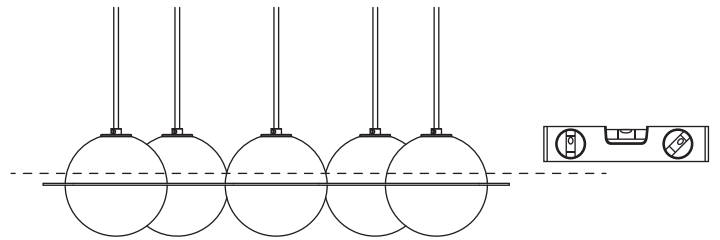
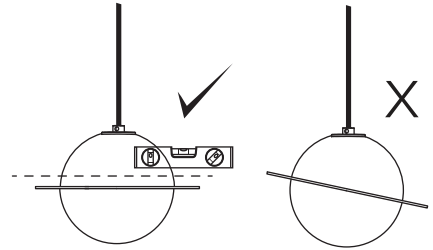
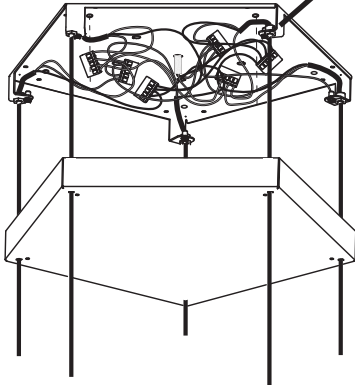
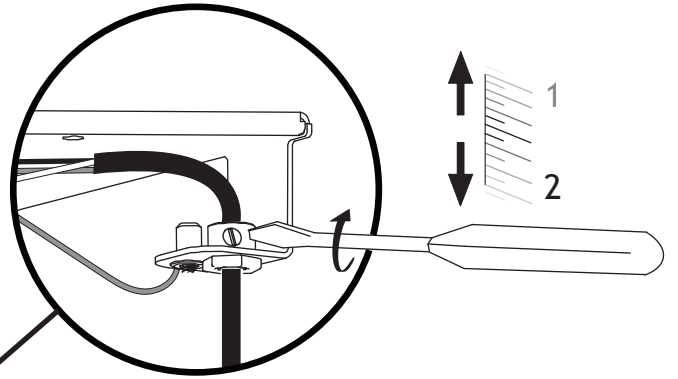


Avoid scuffing the wires during this operation.

8

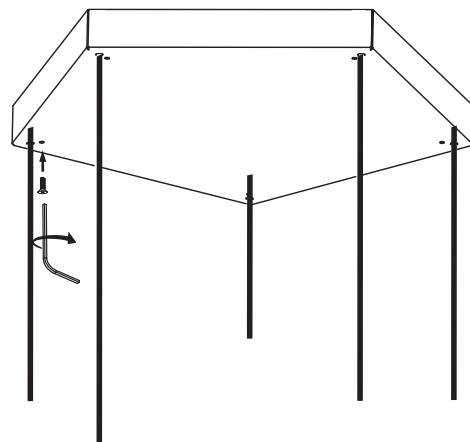
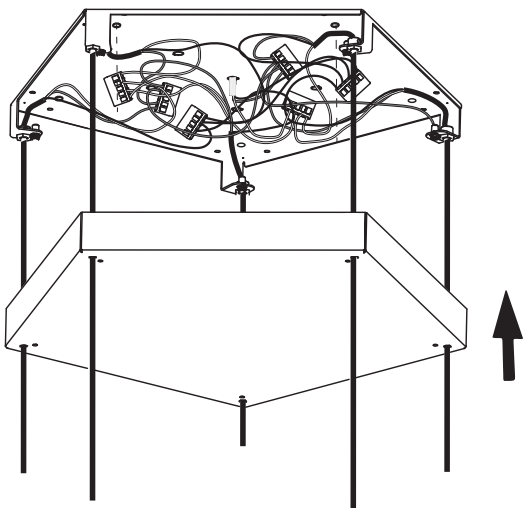
Make sure the globes are level by micro-adjusting the wire lengths.

 **SCREW GENTLY BUT FIRMLY**



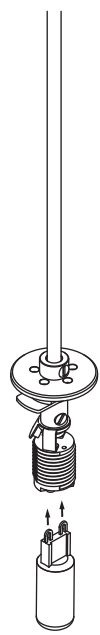
9

Once the frame is secured and the globes are level, slide the cover plate back up to the frame and screw the cover plate back onto the ceiling frame. Make sure all wires are locked into the enclosure.



* Screw gently, but firmly

10

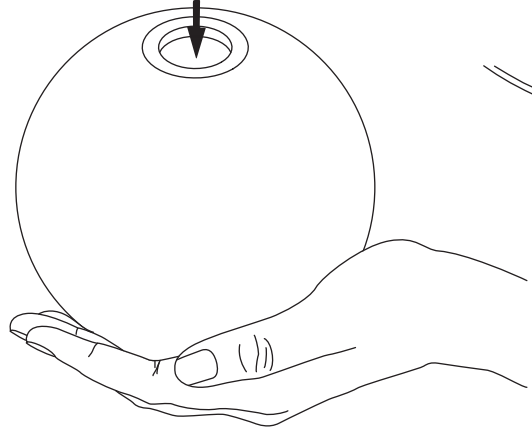


* To ensure safety,
**PLEASE FOLLOW THESE STEPS
CAREFULLY**

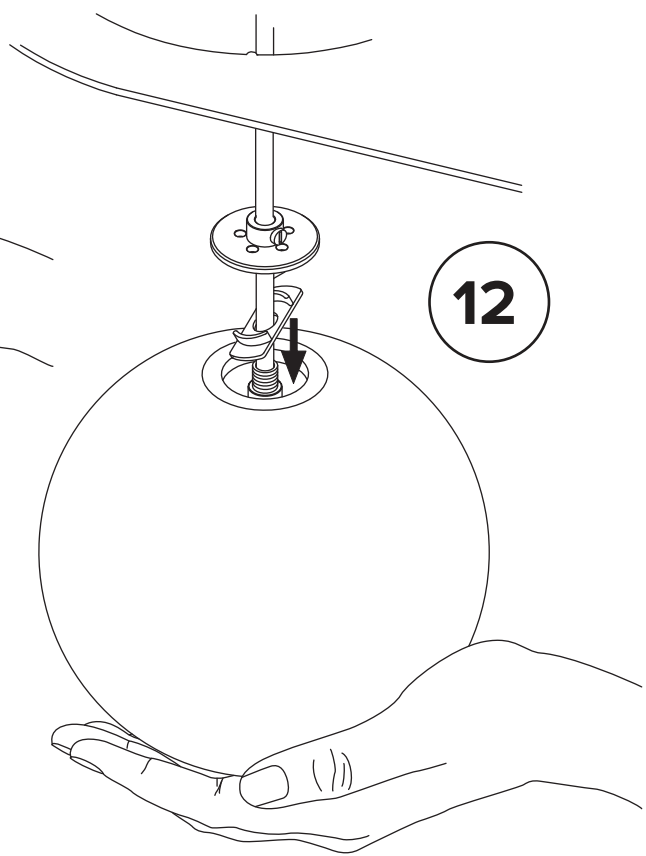
A

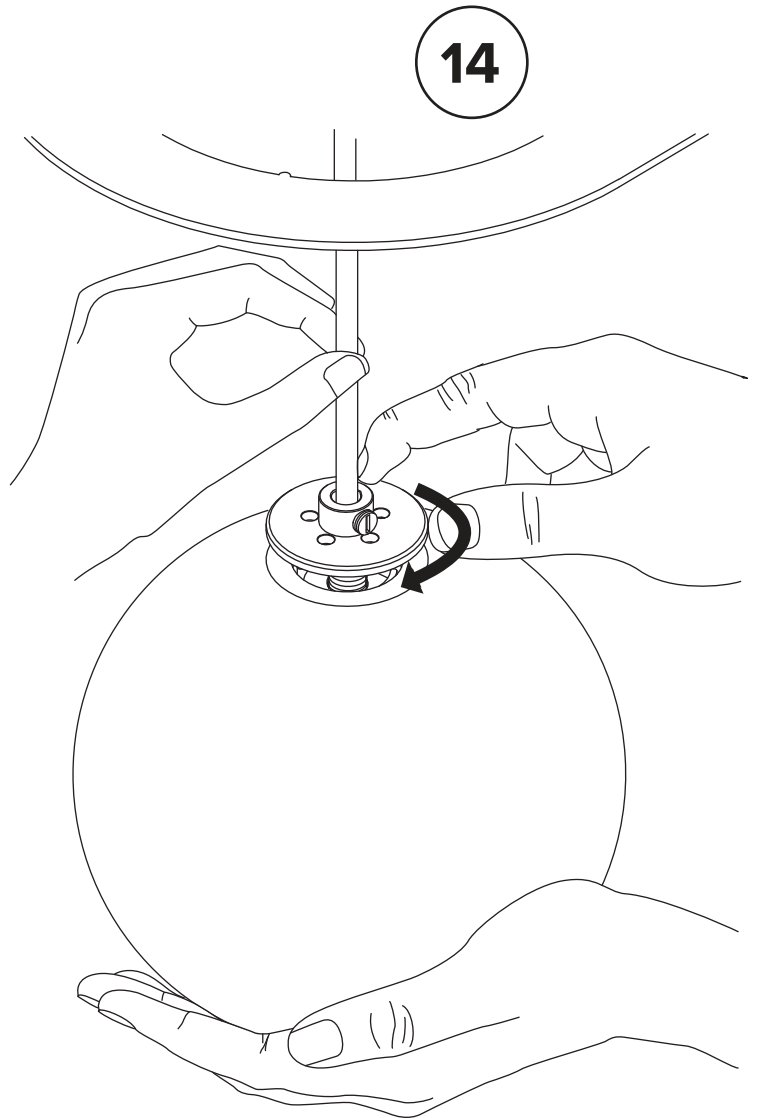
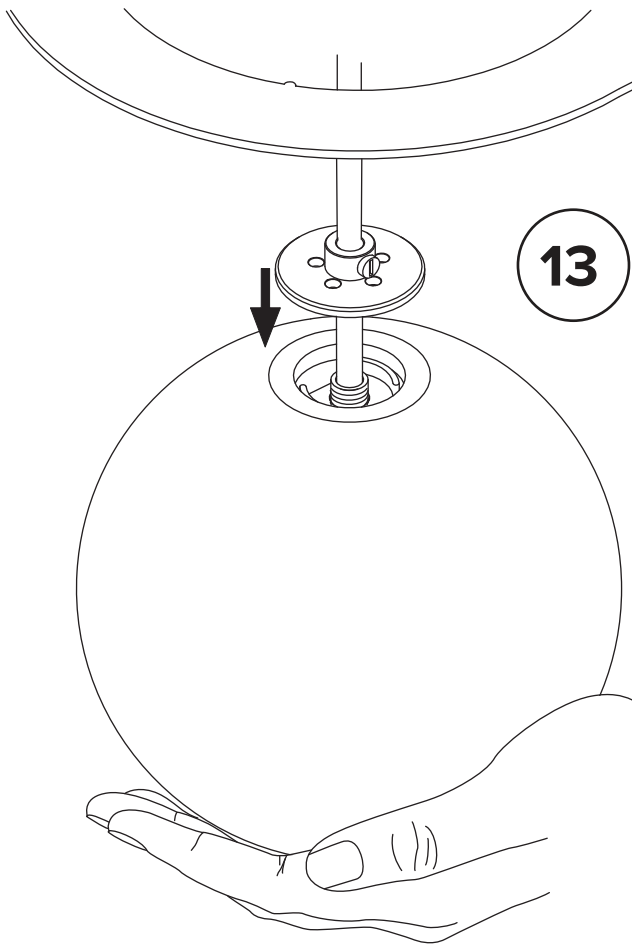
B

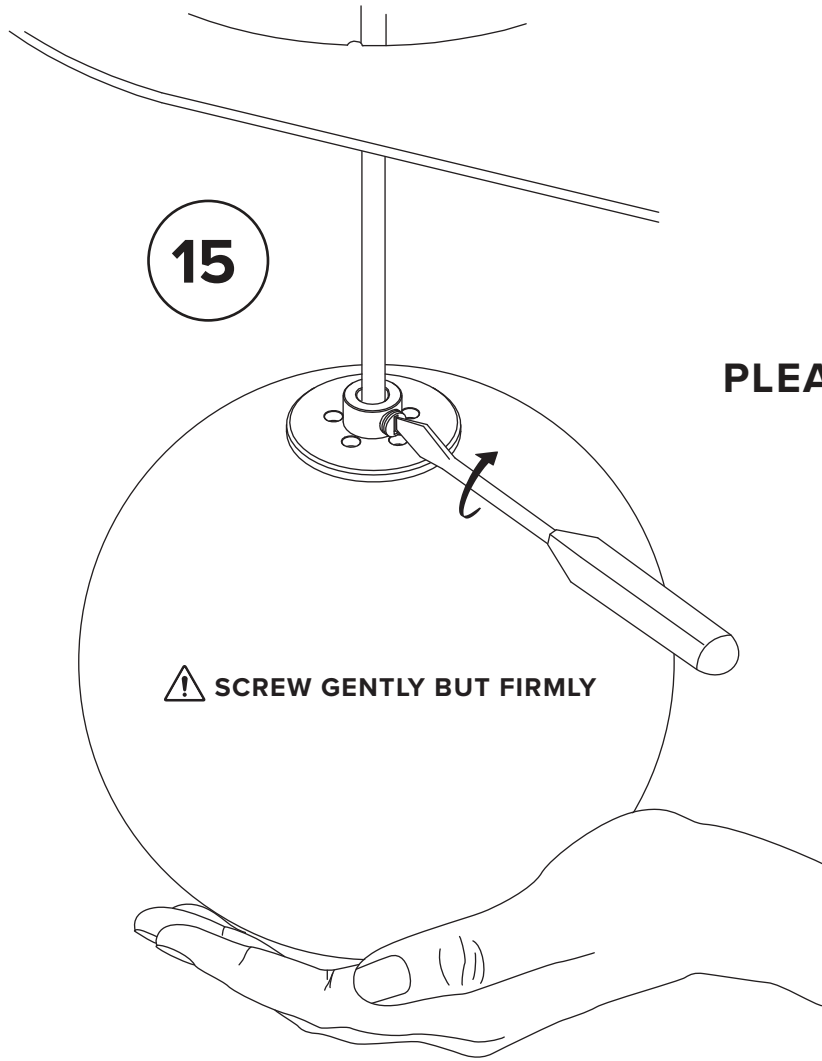
11



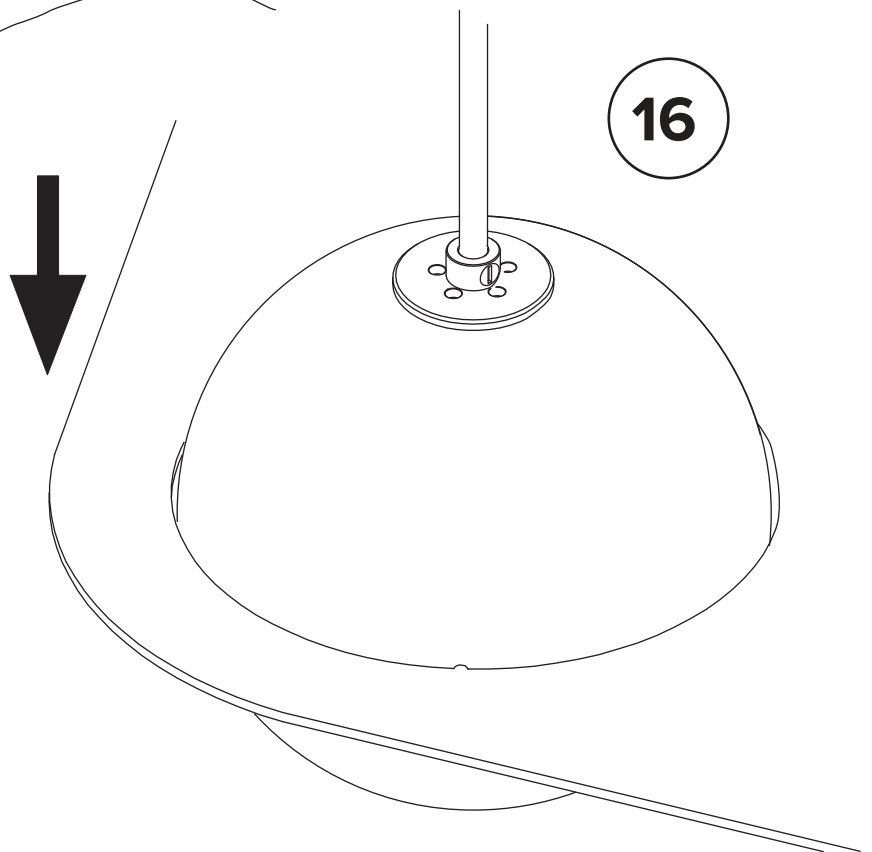
12

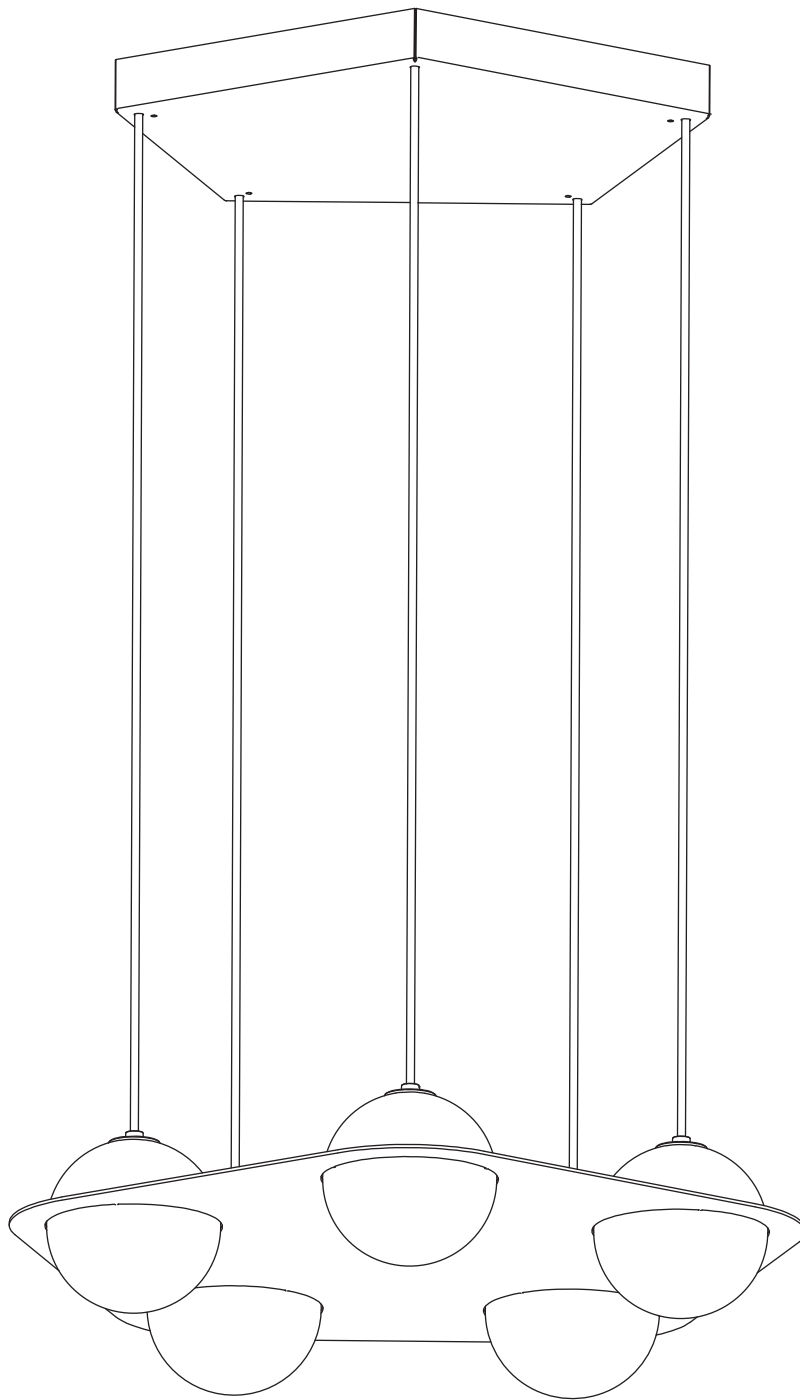






* To ensure safety,
**PLEASE FOLLOW THESE STEPS
CAREFULLY**





lambert&fils