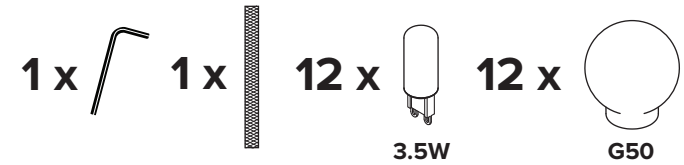
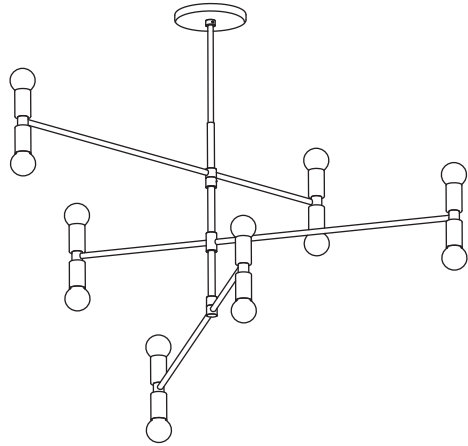
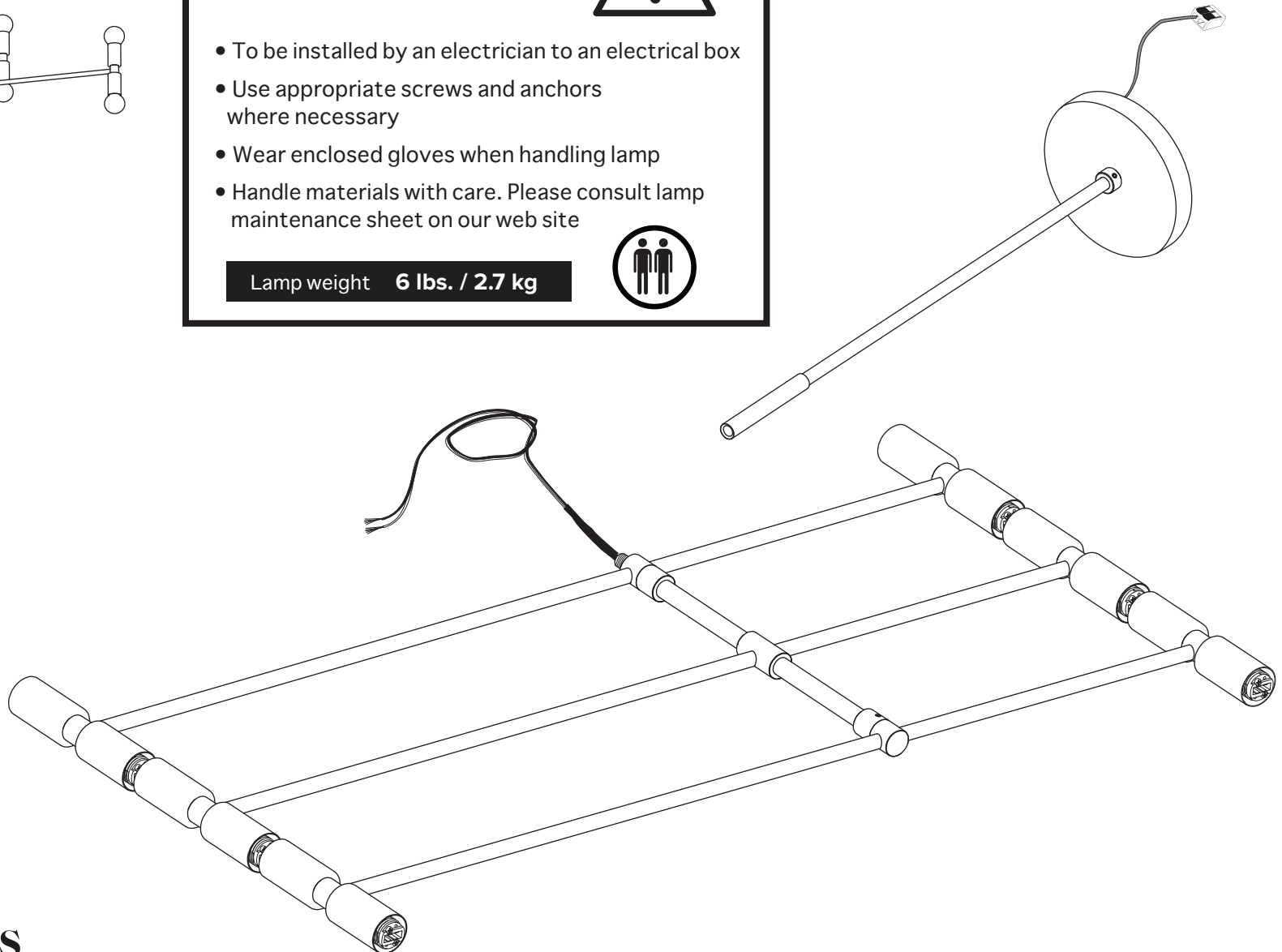


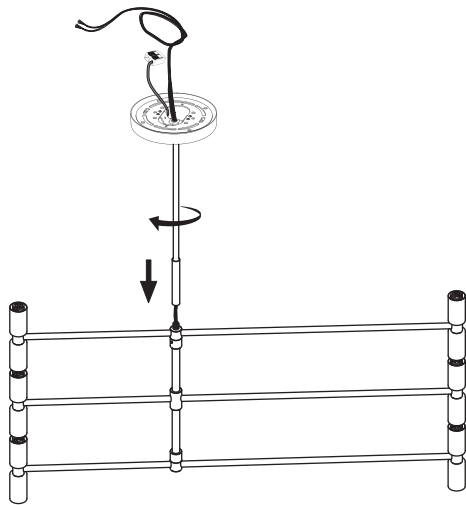
# ATOMIUM



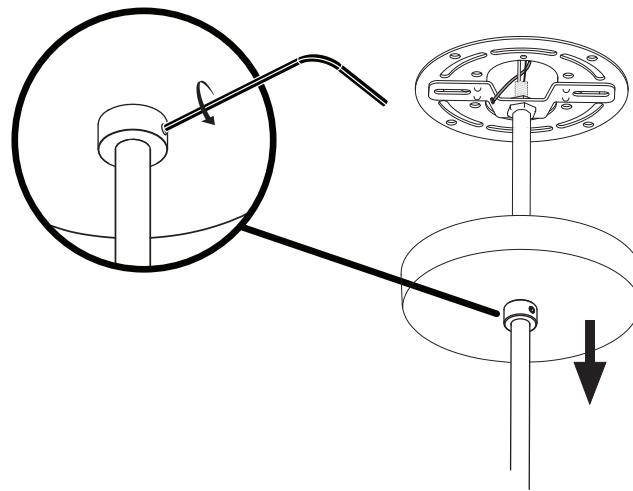
- To be installed by an electrician to an electrical box
- Use appropriate screws and anchors where necessary
- Wear enclosed gloves when handling lamp
- Handle materials with care. Please consult lamp maintenance sheet on our web site

Lamp weight **6 lbs. / 2.7 kg**

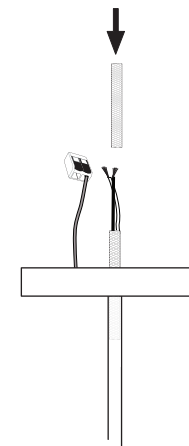




1

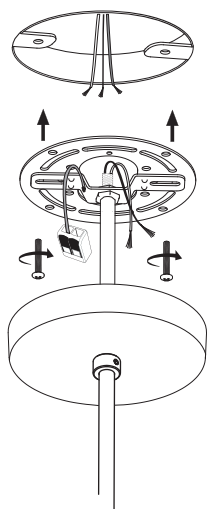


2

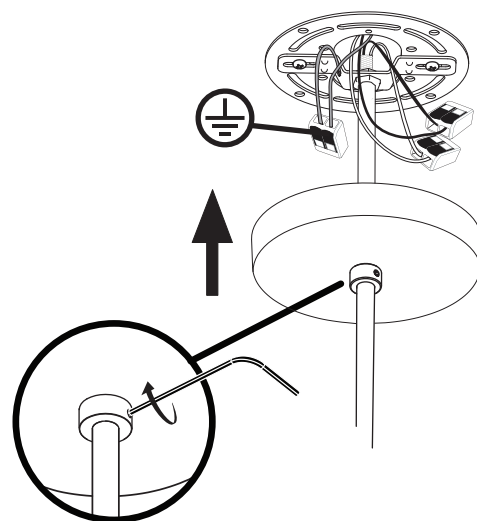


3

\* To ensure that your lamp is properly balanced,  
**PLEASE FOLLOW THESE STEPS CAREFULLY**



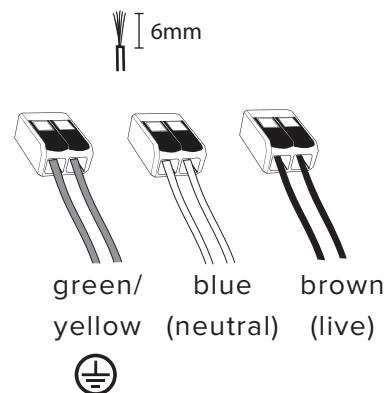
4



\* Screw gently, but firmly

5

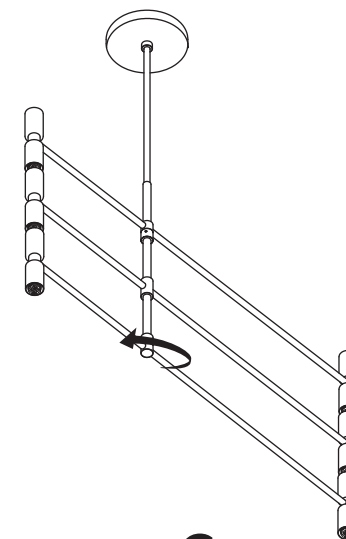
Make connection



green/  
yellow

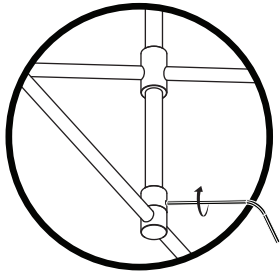
blue  
(neutral)

brown  
(live)



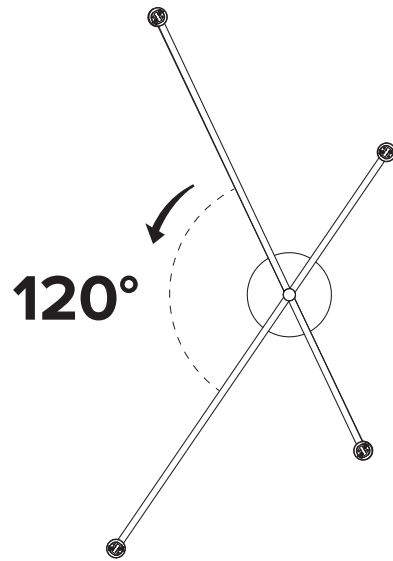
6

\* To ensure that your lamp is properly balanced,  
**PLEASE FOLLOW THESE STEPS CAREFULLY**

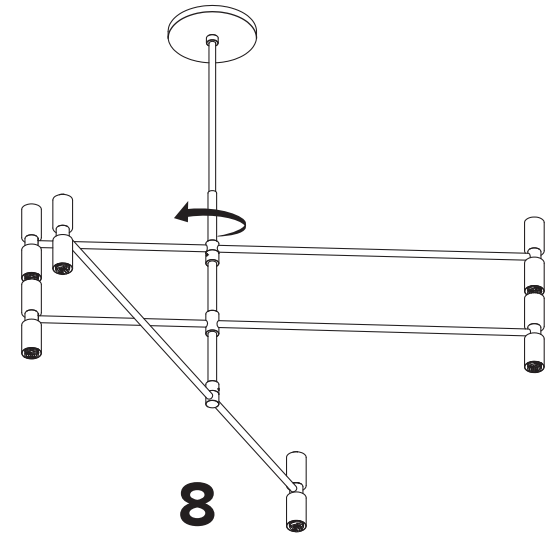


\* Screw gently, but firmly  
(Do not remove set screw)

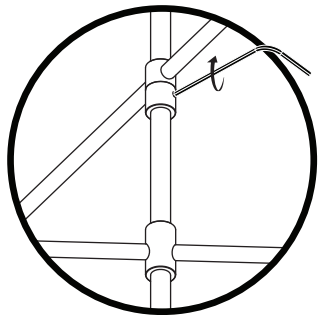
**7**



**120°**

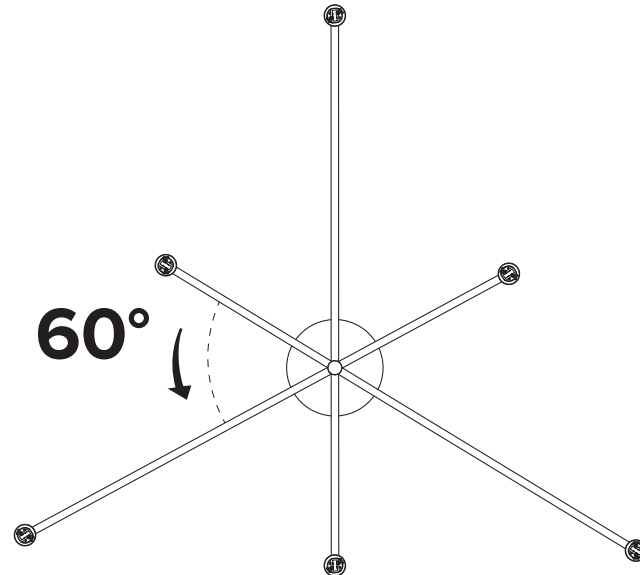


**8**

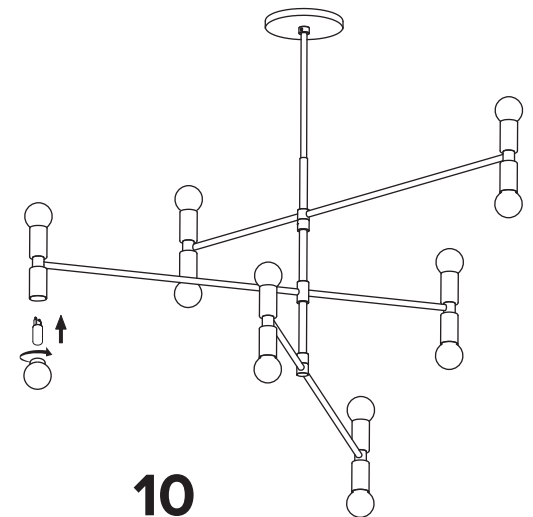


\* Screw gently, but firmly  
(Do not remove set screw)

**9**



**60°**



**10**