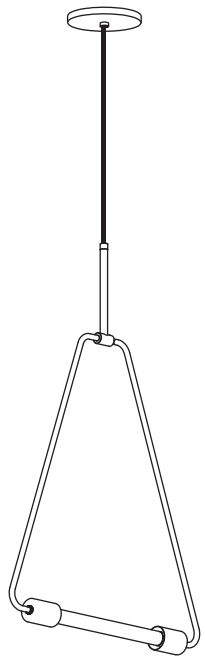



PERCHOIR

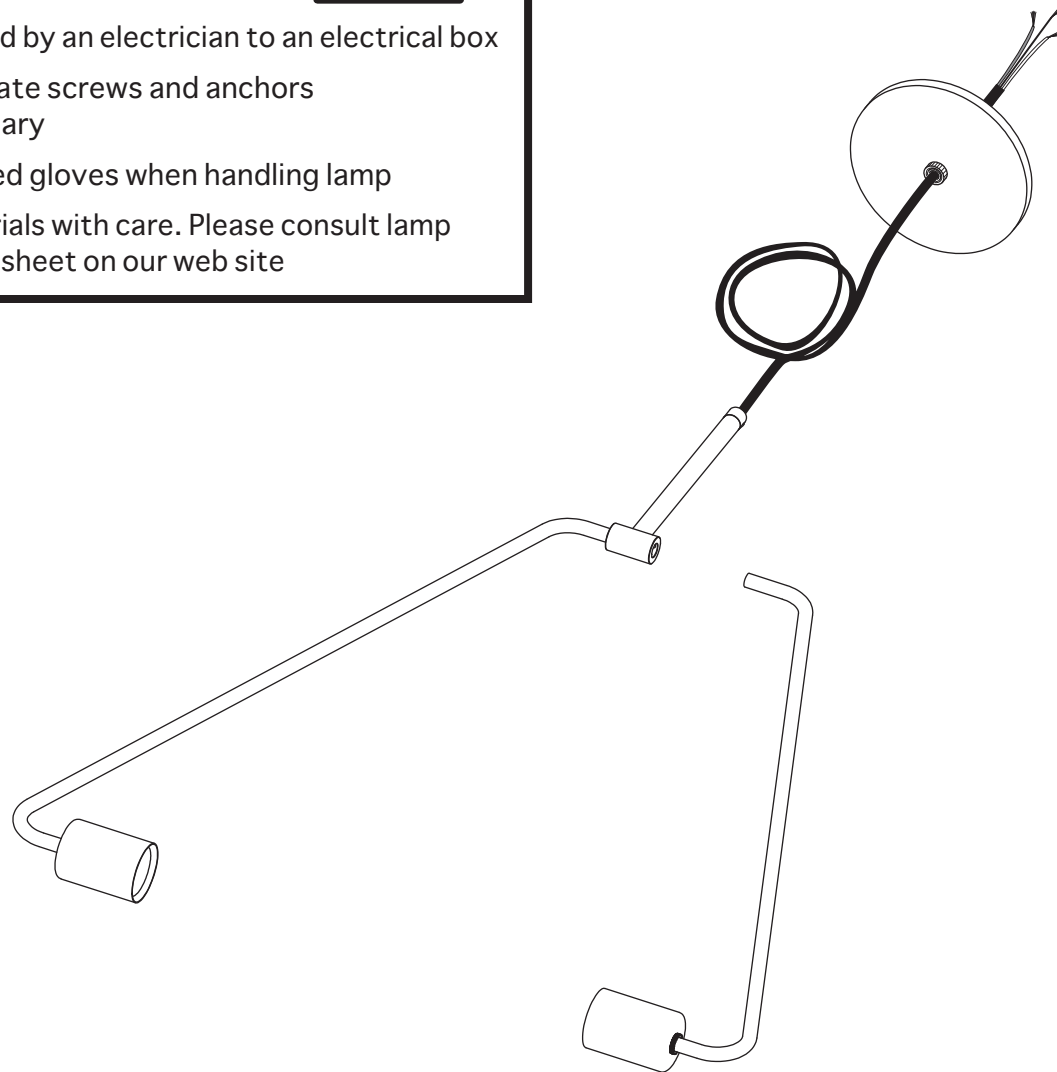


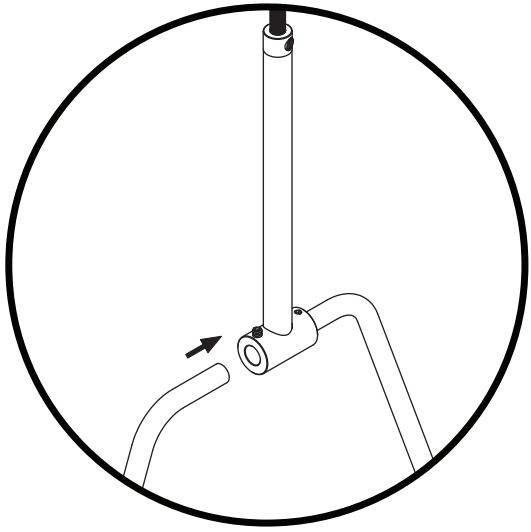
1 x 

1 x 

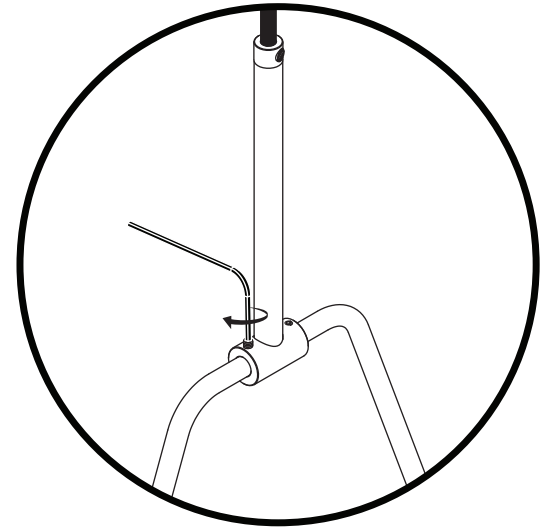
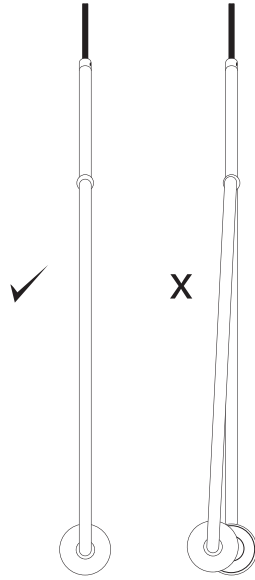


- To be installed by an electrician to an electrical box
- Use appropriate screws and anchors where necessary
- Wear enclosed gloves when handling lamp
- Handle materials with care. Please consult lamp maintenance sheet on our web site



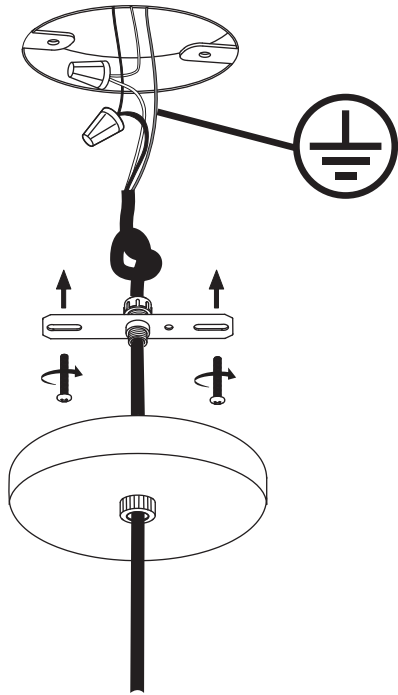


1

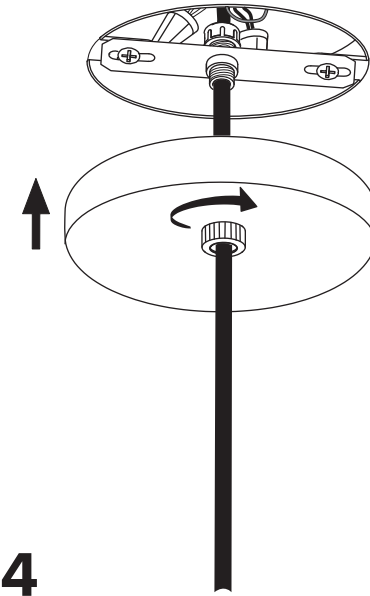


2

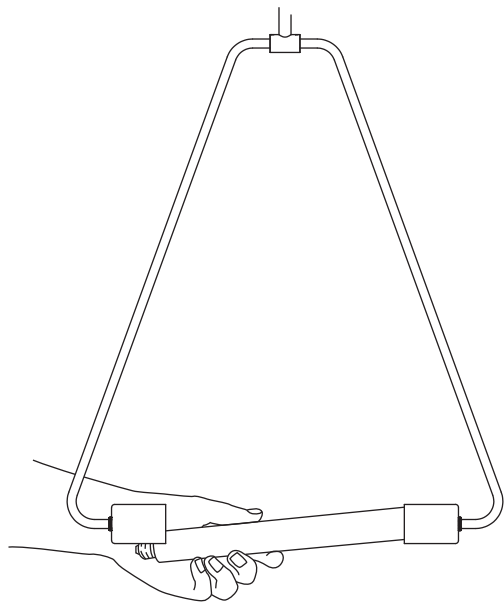
* Screw gently, but firmly



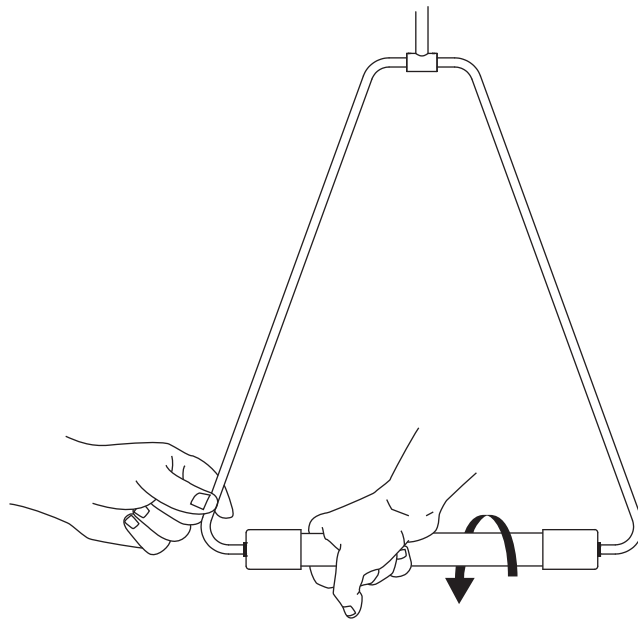
3



4



5



6