


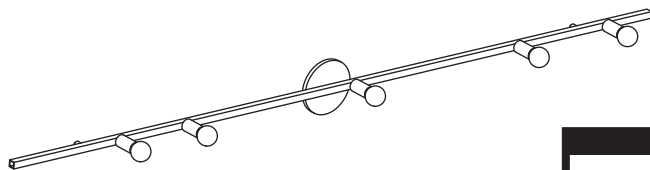
DOT LINE WALL HARDWARE

1 x 

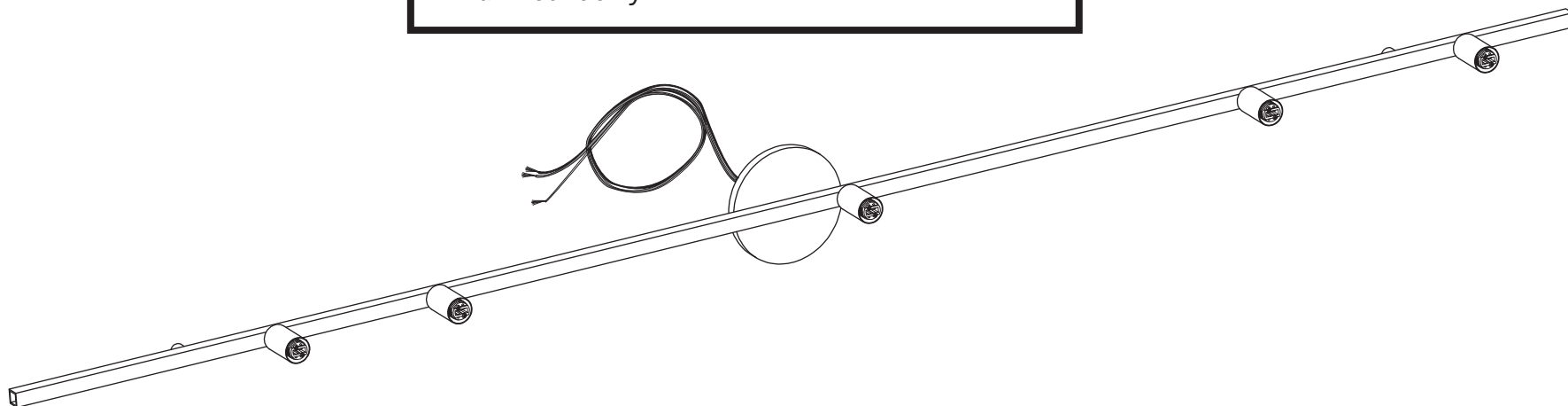
2 x 

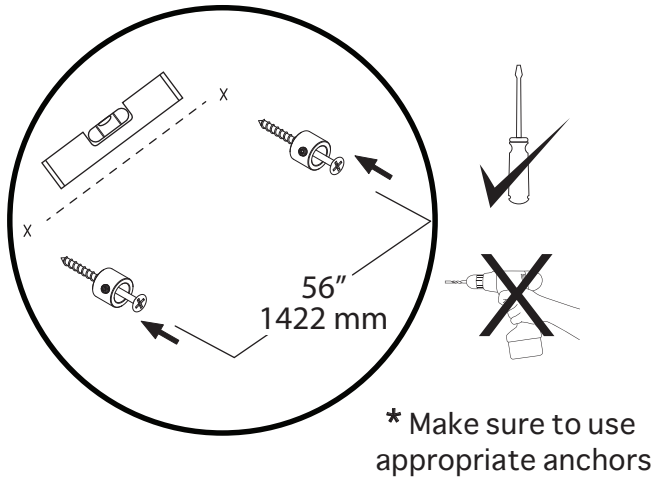
5 x 
3.5W

5 x 
G50

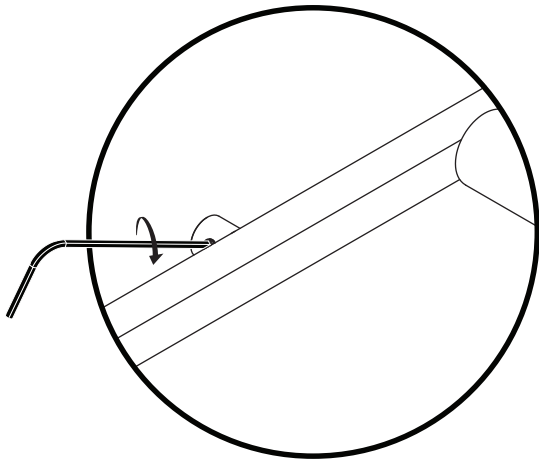
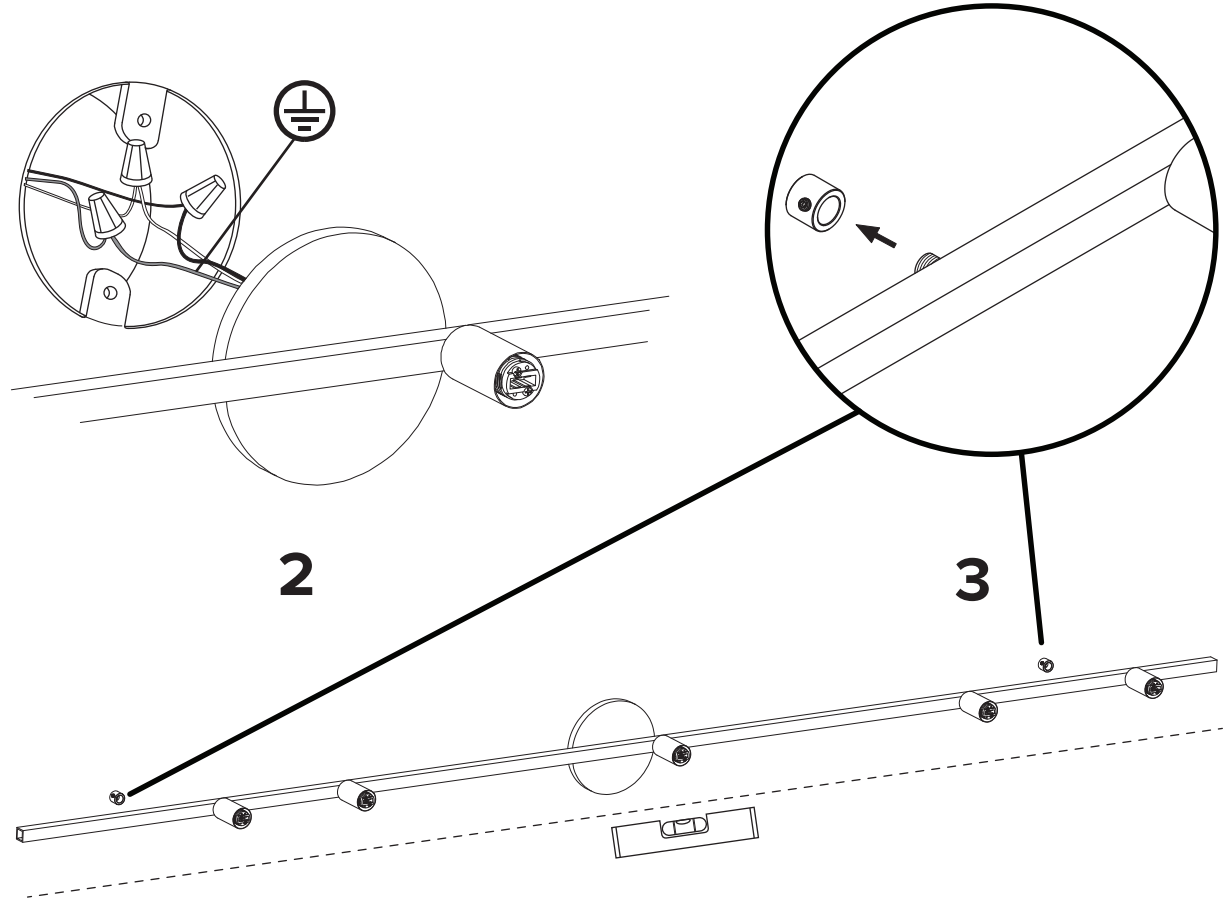


- To be installed by an electrician to an electrical box
- Use appropriate screws and anchors where necessary
- Wear enclosed gloves when handling lamp
- Handle materials with care. Please consult lamp maintenance sheet on our web sit
- Should be used exclusively as a lamp and not as a shelving, display or hanging unite
- Wall mount only





1



4

