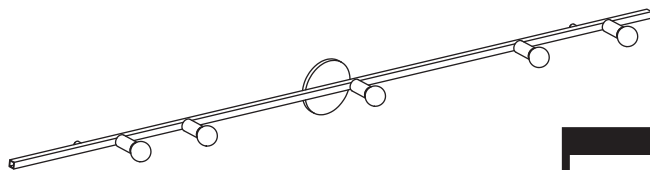
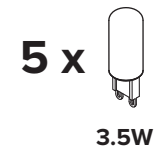
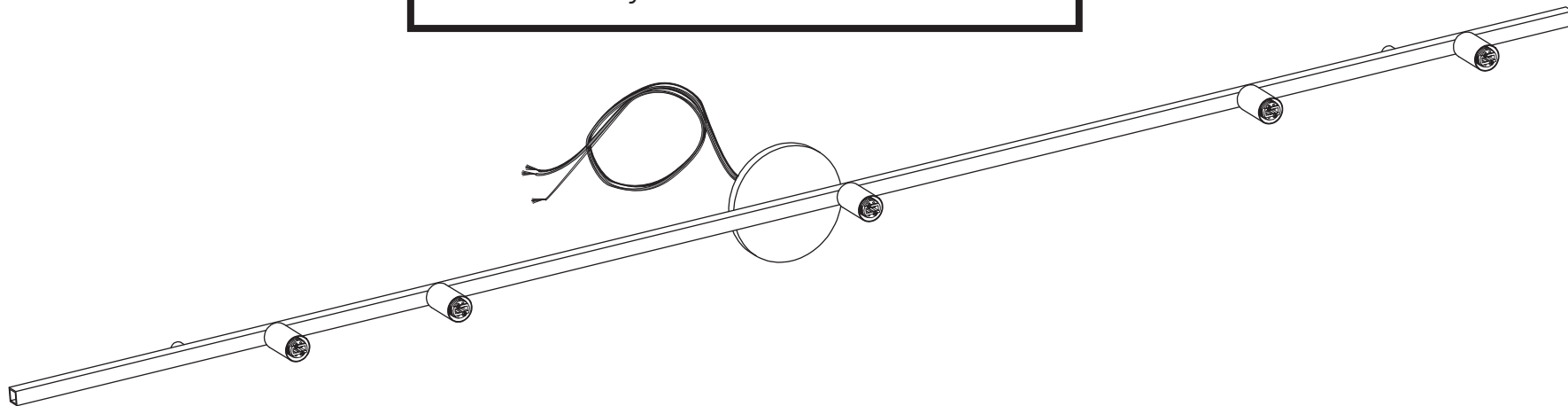
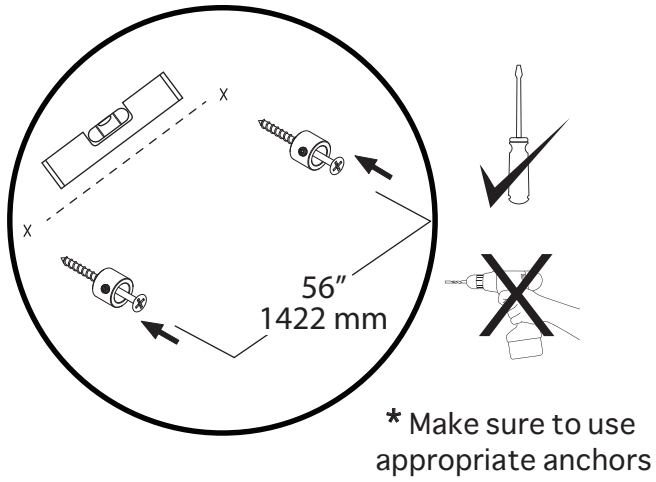


DOT LINE WALL HARDWARE

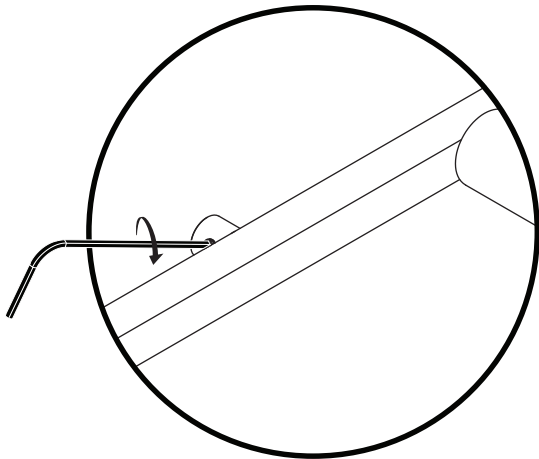
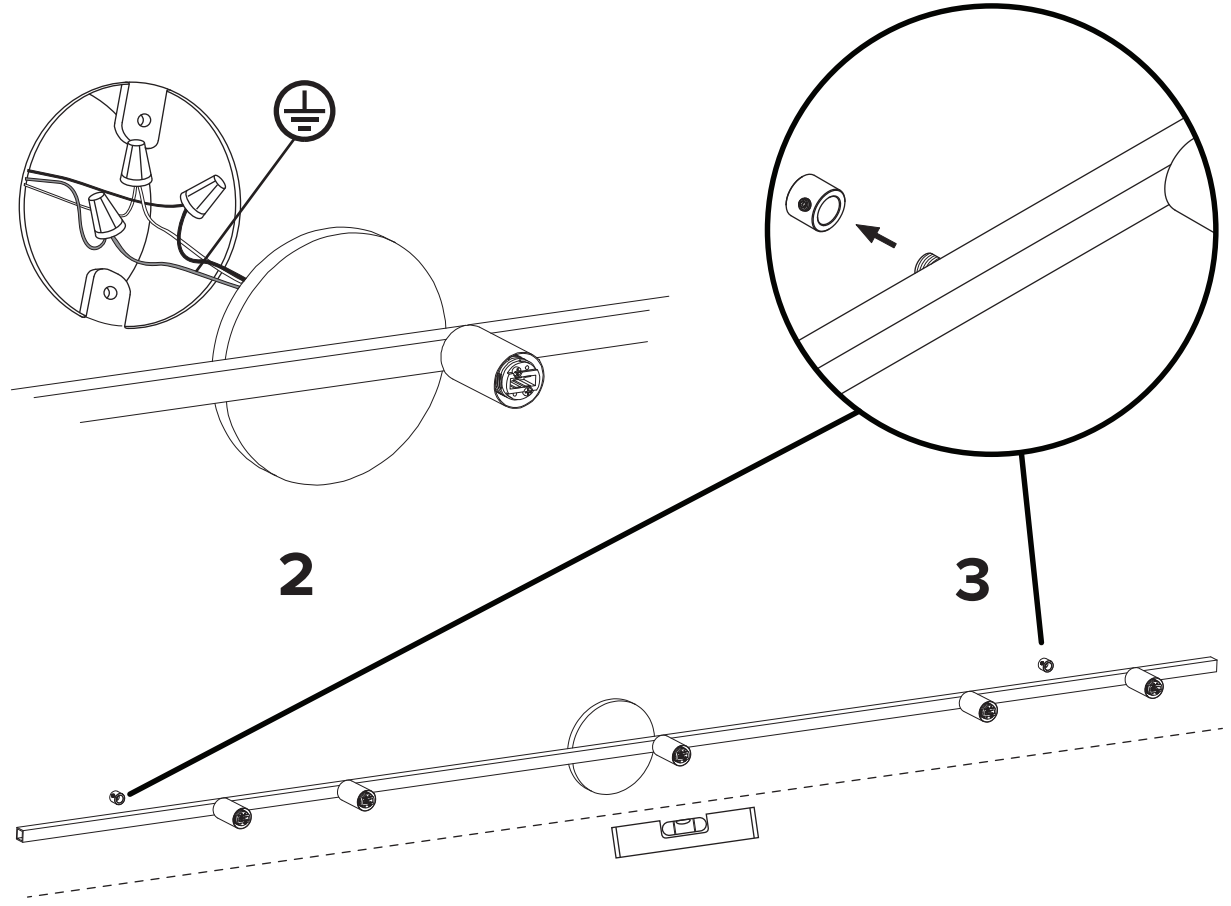


- To be installed by an electrician to an electrical box
- Use appropriate screws and anchors where necessary
- Wear enclosed gloves when handling lamp
- Handle materials with care. Please consult lamp maintenance sheet on our web sit
- Should be used exclusively as a lamp and not as a shelving, display or hanging unite
- Wall mount only



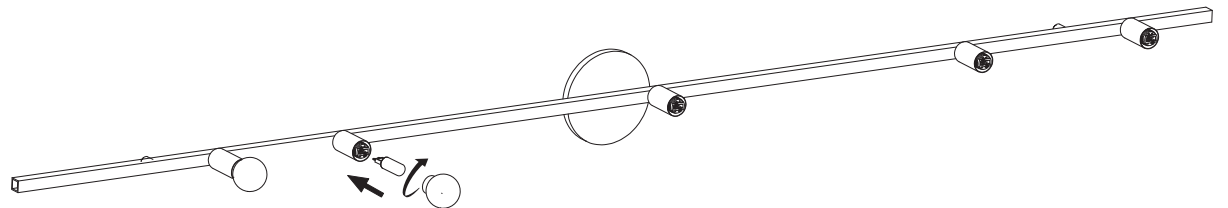


1



* Screw gently, but firmly

4



5