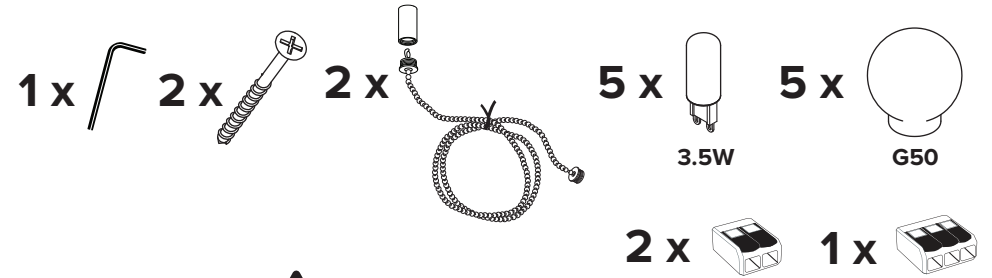
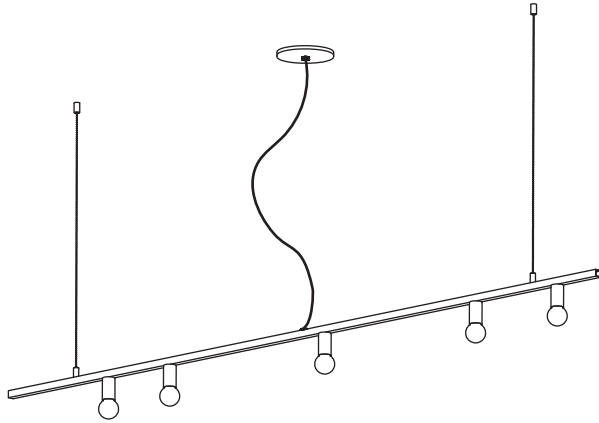
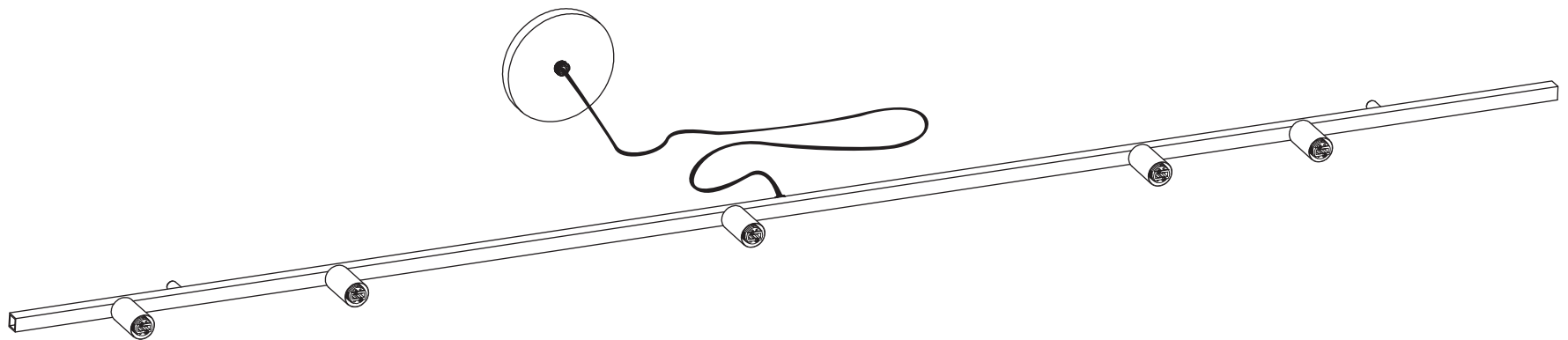


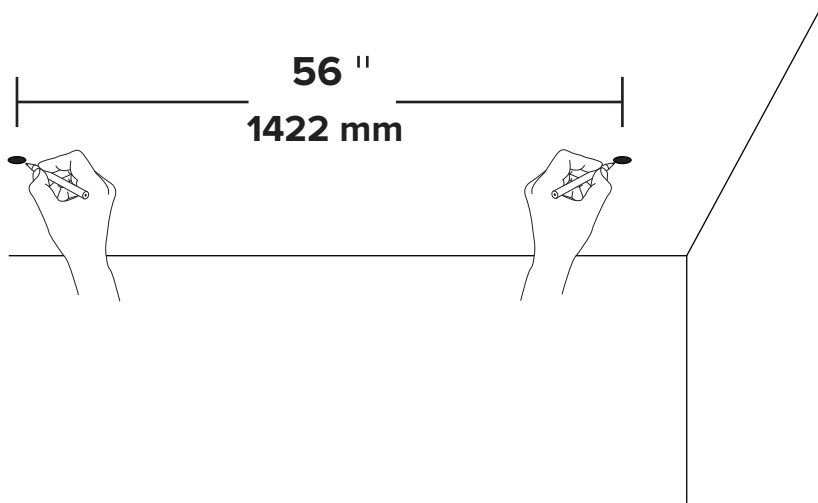
DOT LINE SUSPENSION



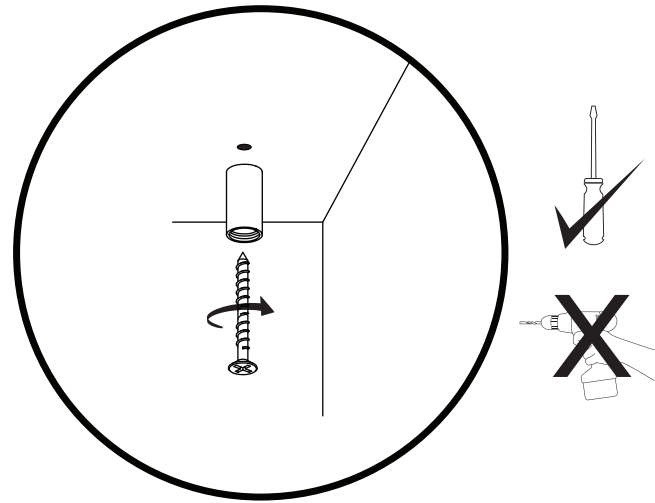
- To be installed by an electrician to an electrical box
- Use appropriate screws and anchors where necessary
- Wear enclosed gloves when handling lamp
- Handle materials with care. Please consult lamp maintenance sheet on our web site
- Should be used exclusively as a lamp and not as a shelving, display or hanging uni

lamp weight 11 lbs.



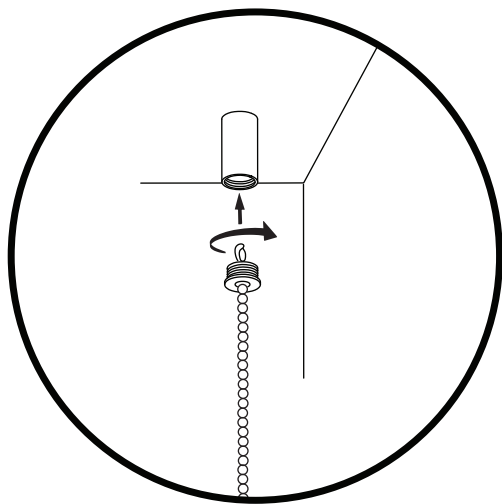


1

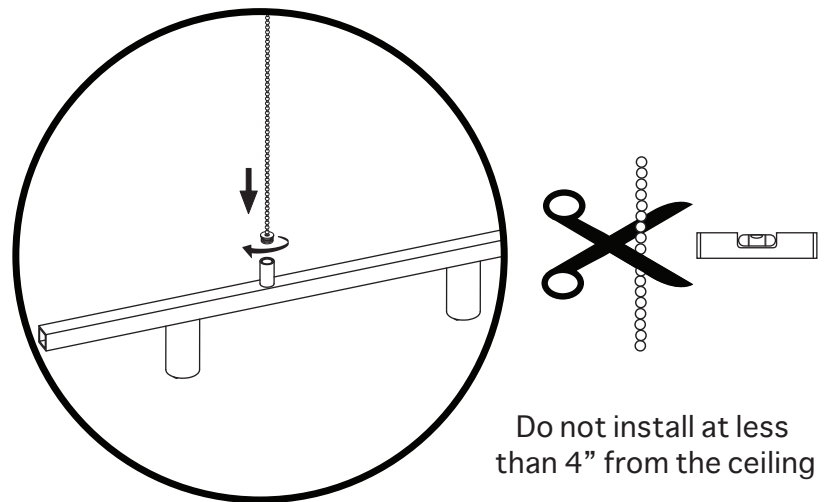


2

* Use appropriate anchors



3



4

Do not install at less than 4" from the ceiling

