

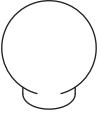

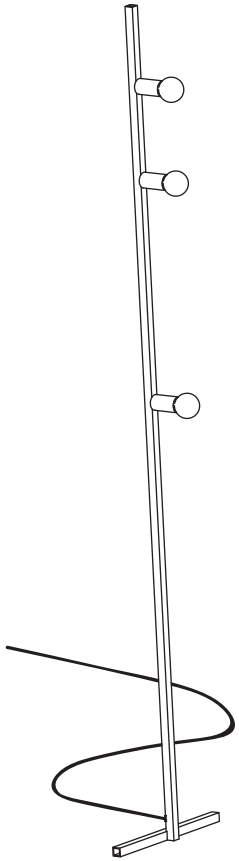
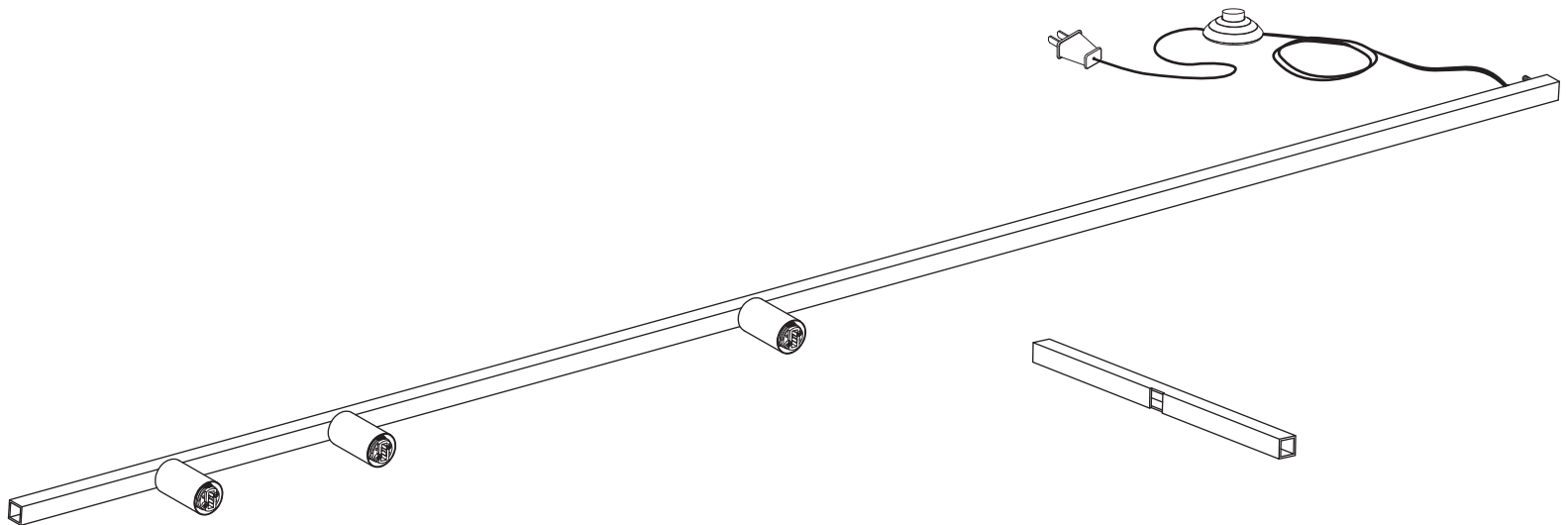


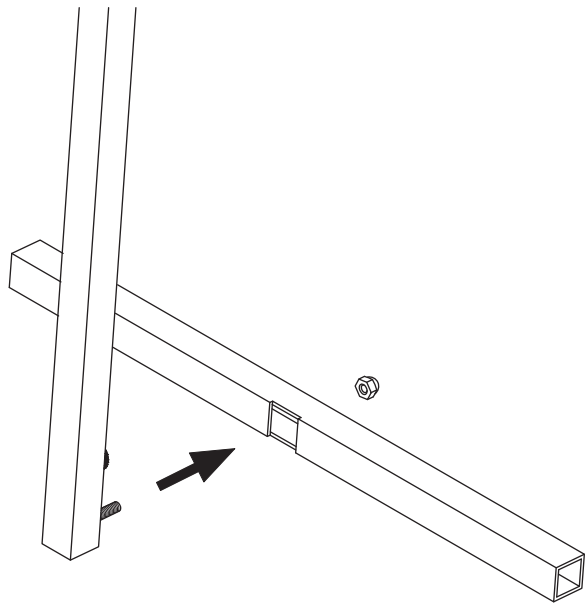
DOT LINE FLOOR

1 x  3 x  3.5W 3 x  G50

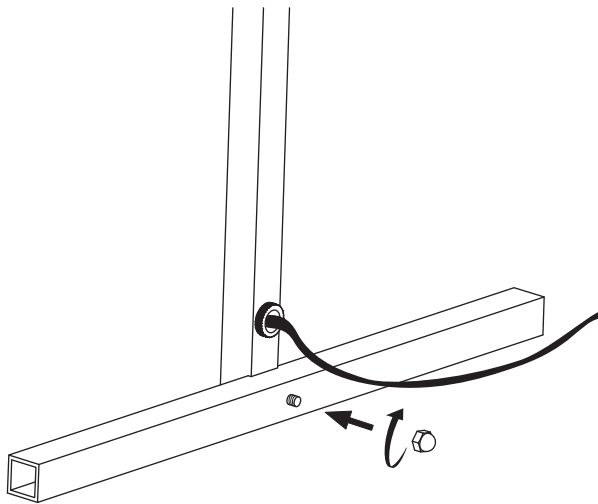


- Wear enclosed gloves when handling lamp
- Handle materials with care. Please consult lamp maintenance sheet on our web site

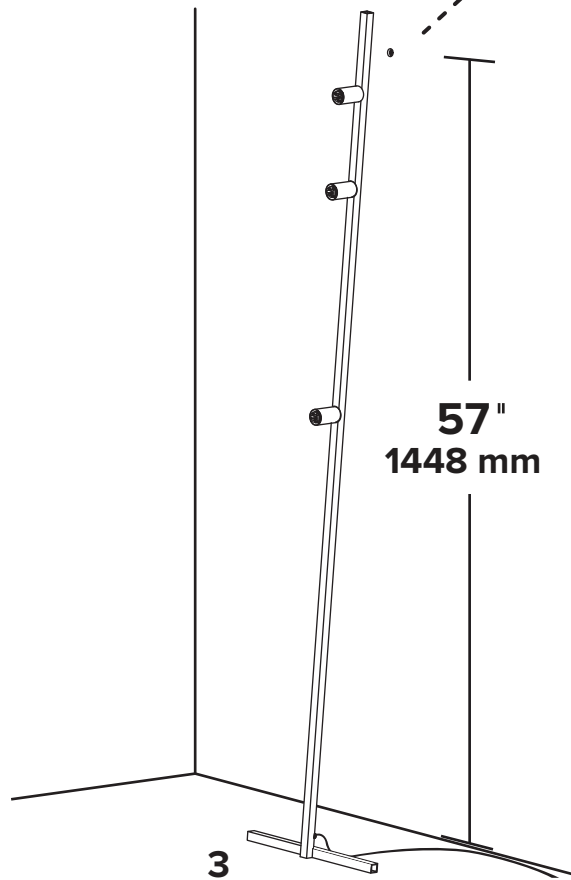




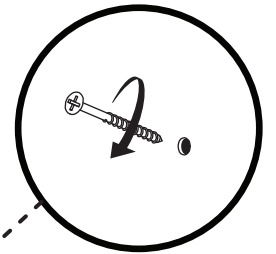
1



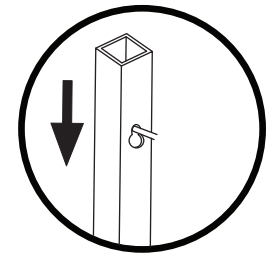
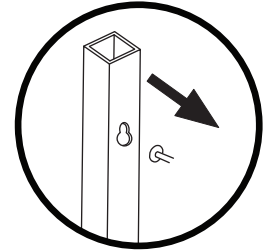
2



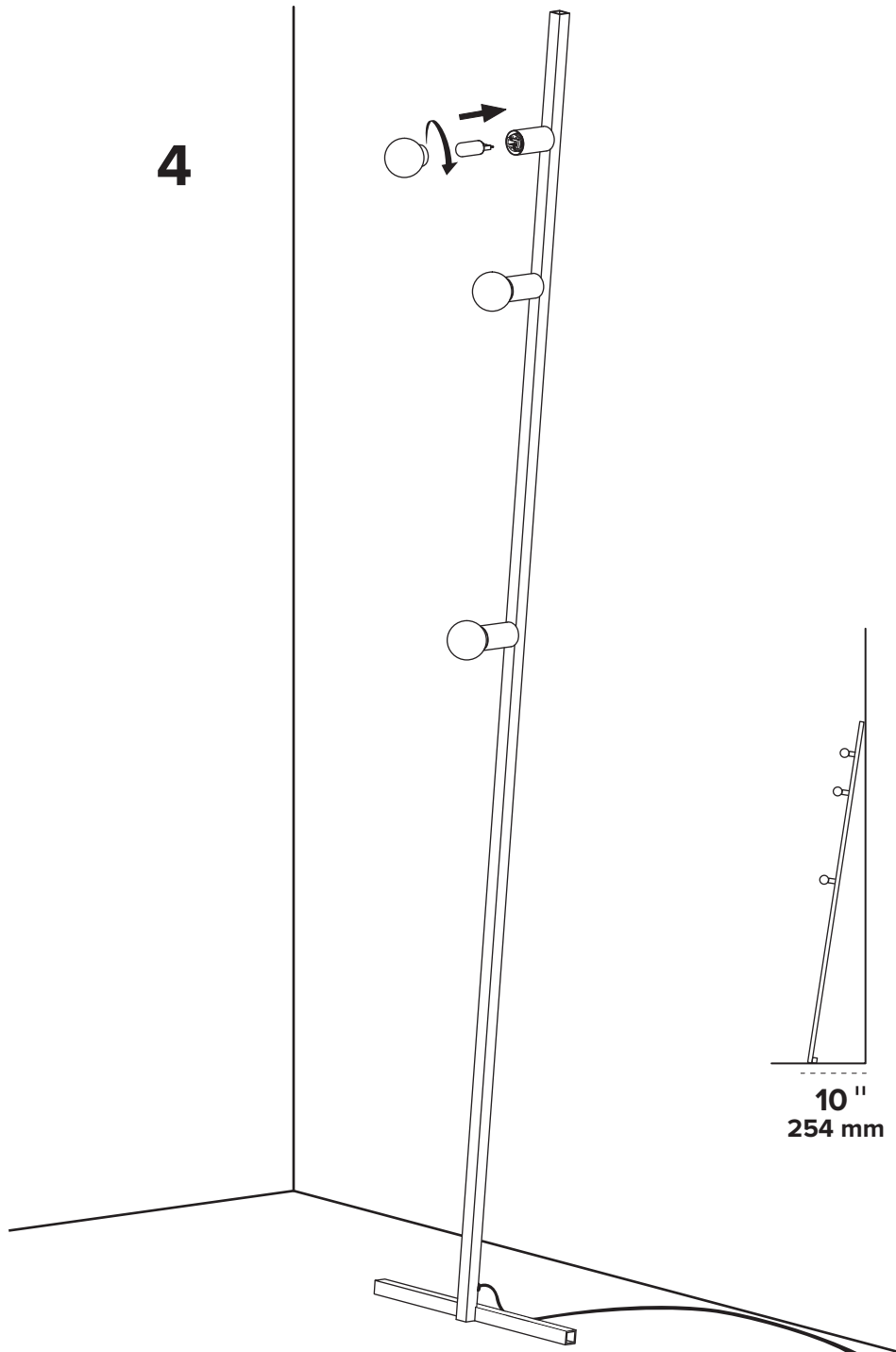
3



Make sure to use appropriate anchors



4



10''
254 mm