

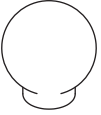

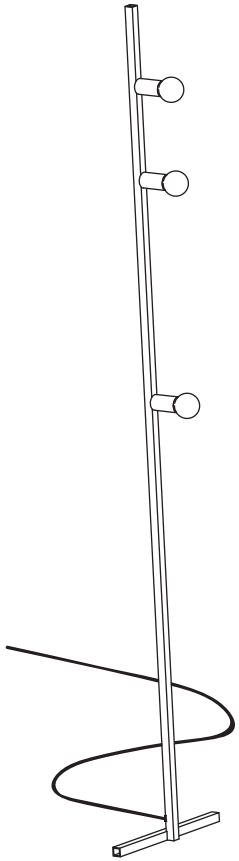
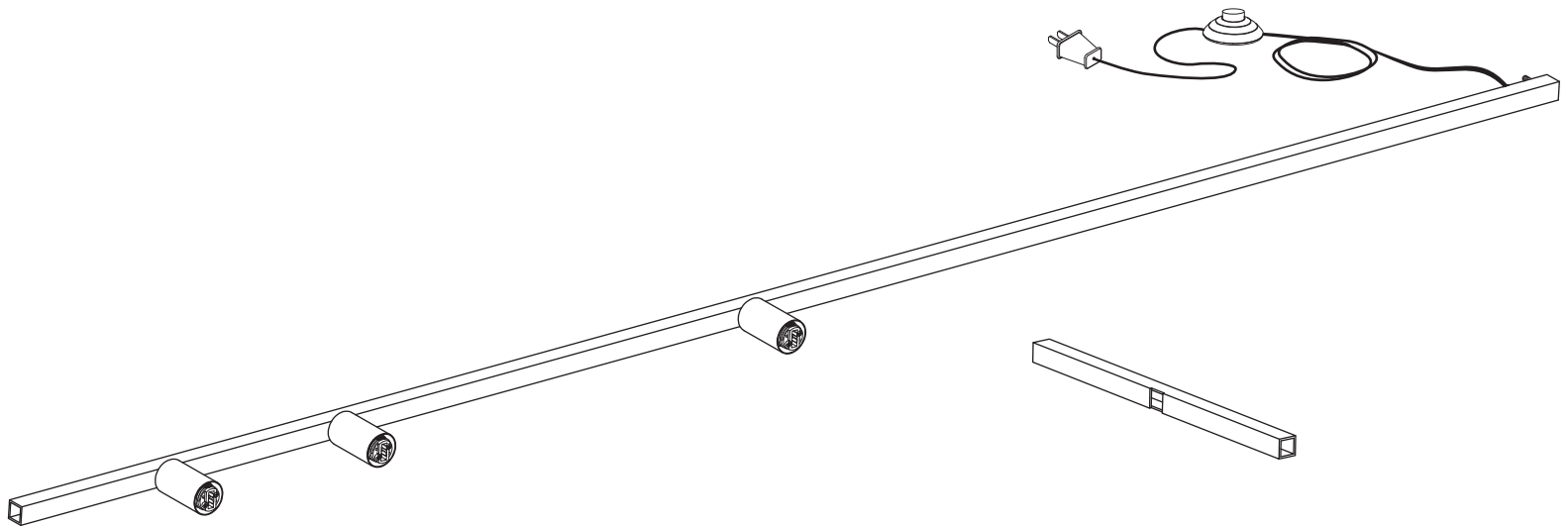


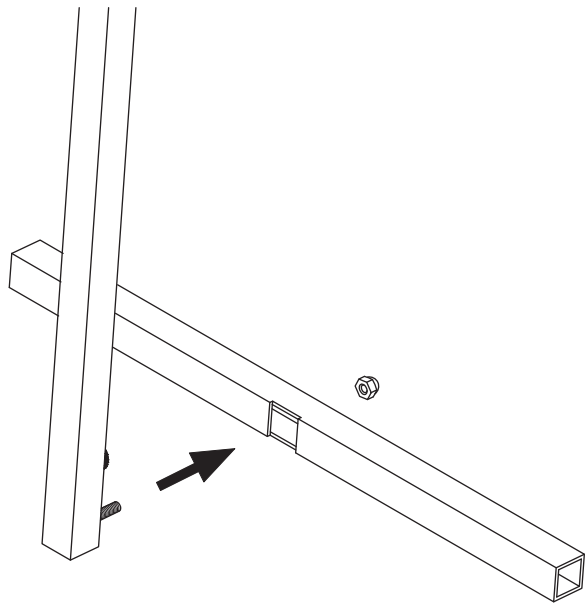
# DOT LINE FLOOR

1 x  3 x  3.5W 3 x  G50

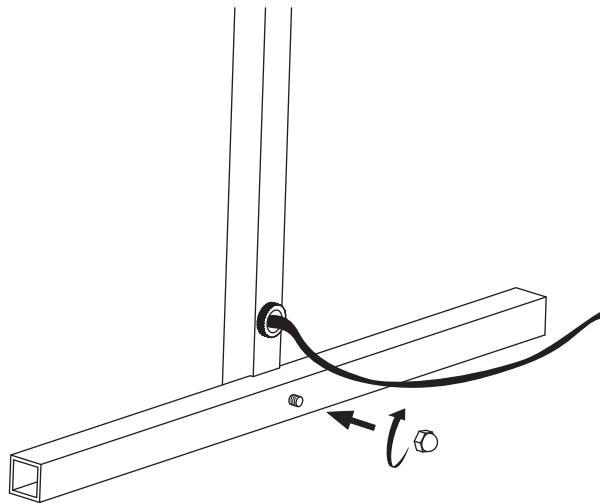


- Wear enclosed gloves when handling lamp
- Handle materials with care. Please consult lamp maintenance sheet on our web site

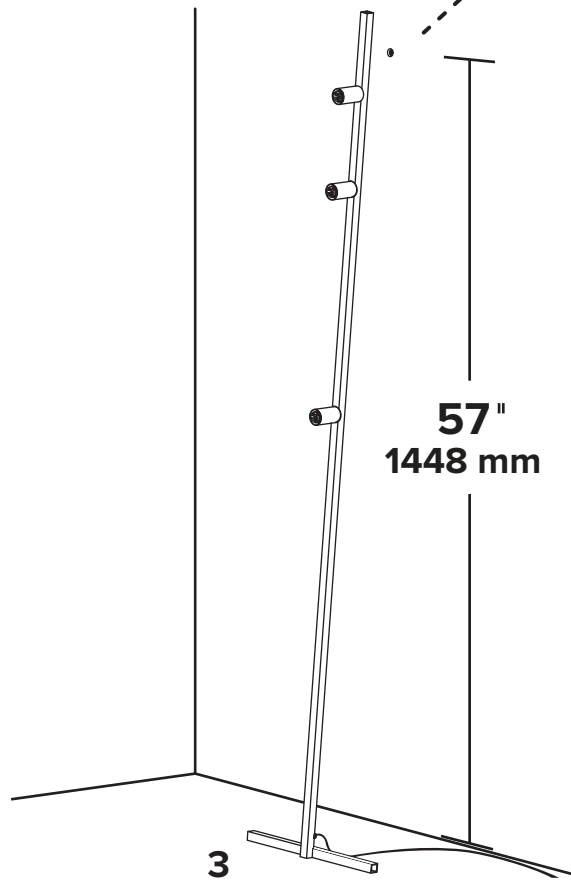




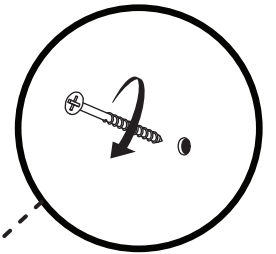
**1**



**2**

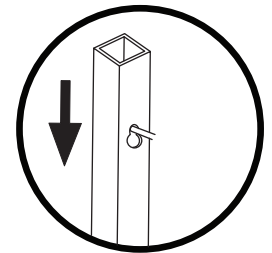
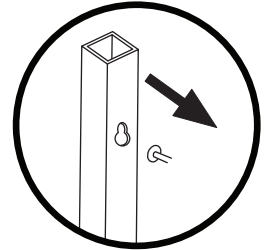


**3**

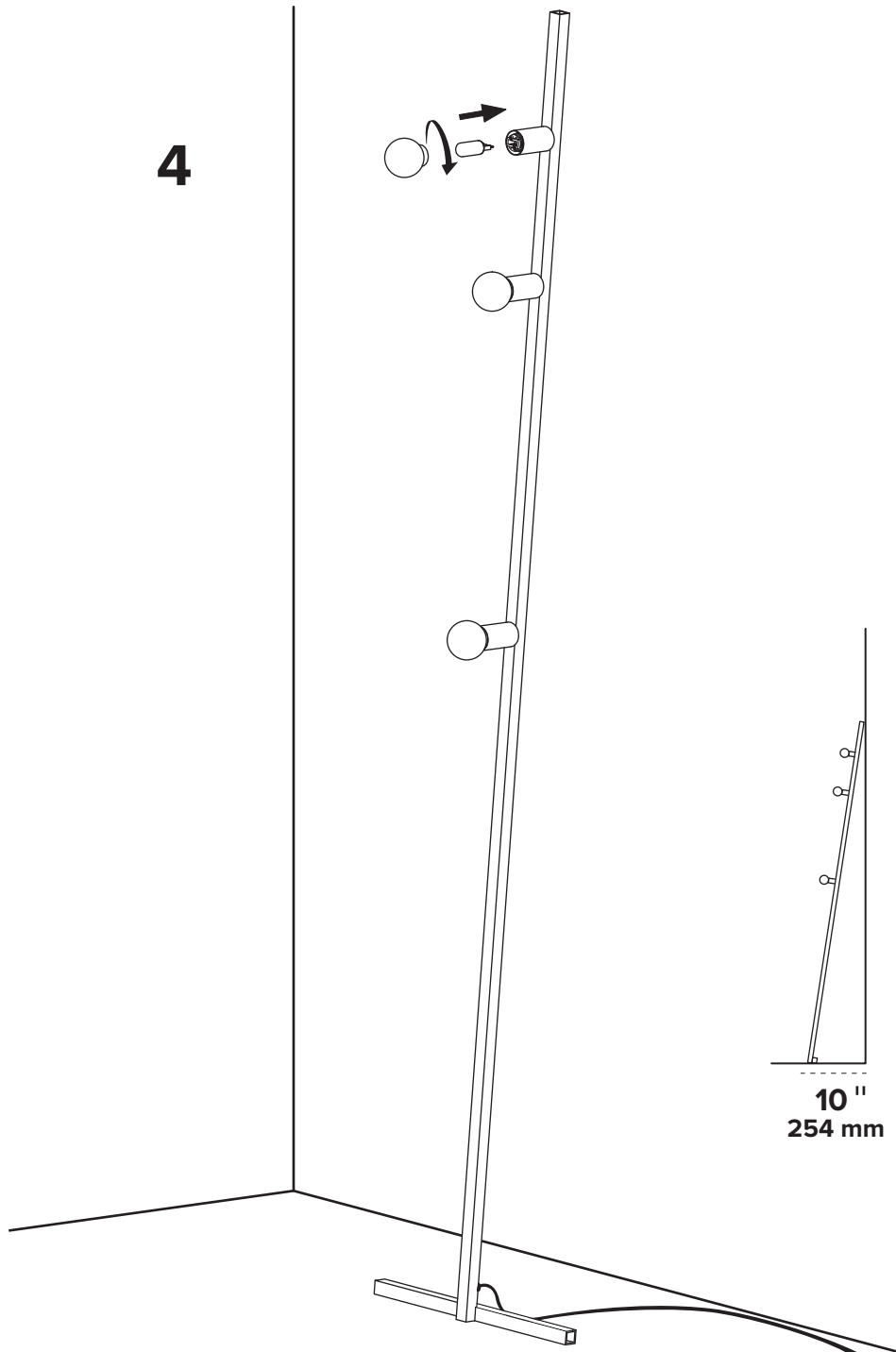


**3**

Make sure to use appropriate anchors



**4**



**10''**  
**254 mm**