

# ANTIPODE

3 x



1 x



1 x



1 x



3.5W

1 x



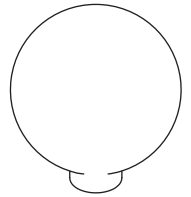
G50

1 x

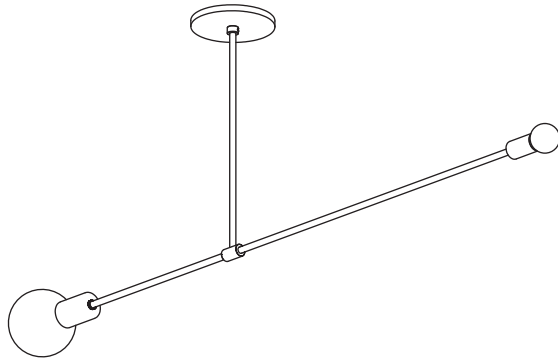



4.5W

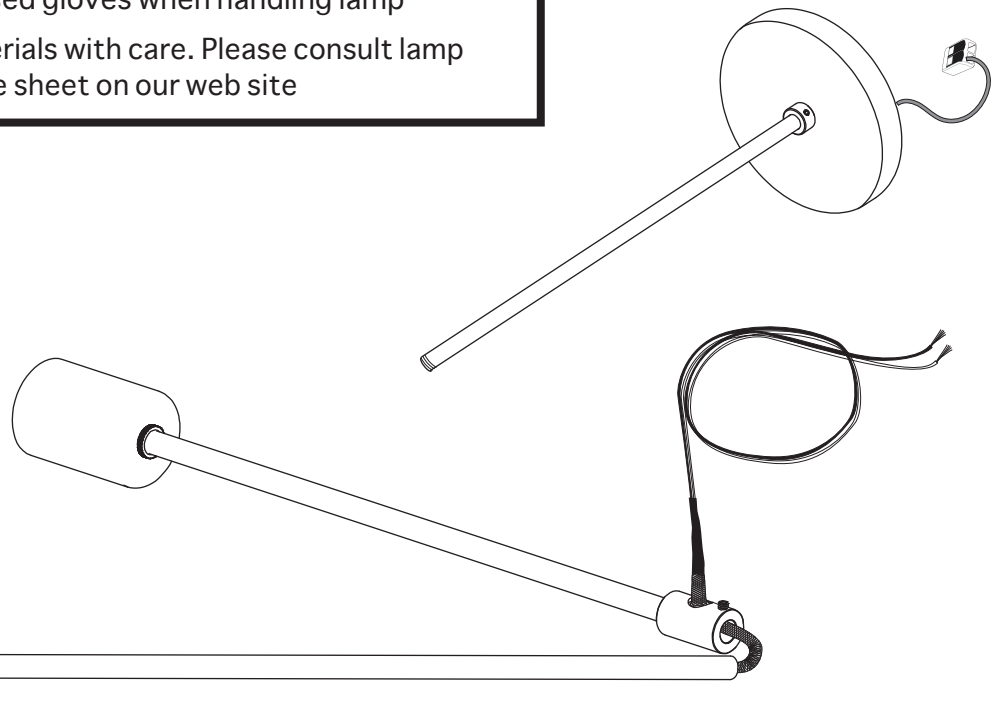
1 x

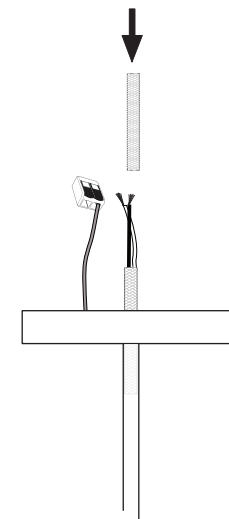
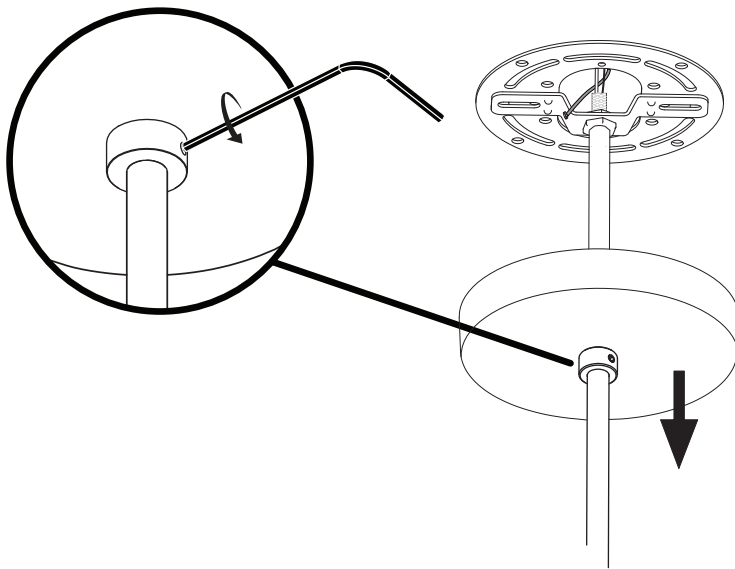
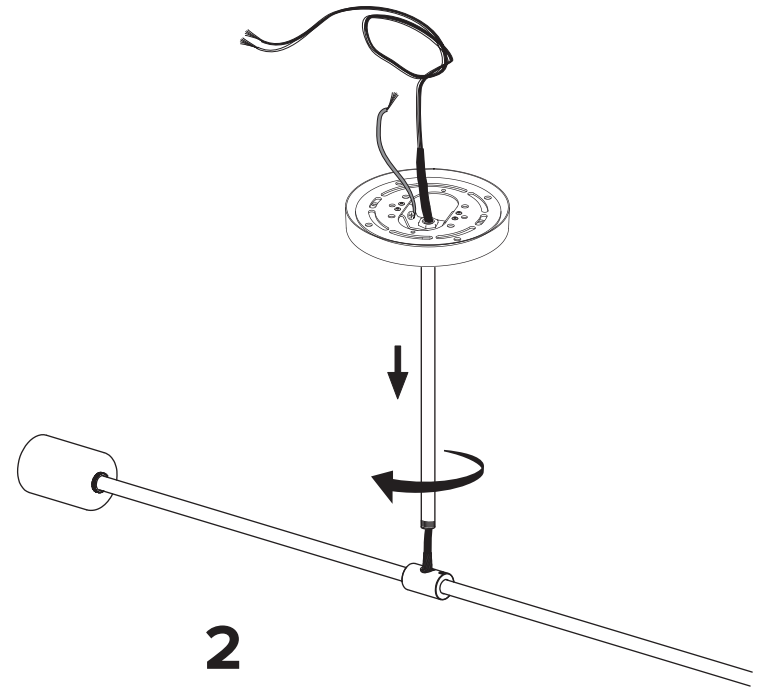
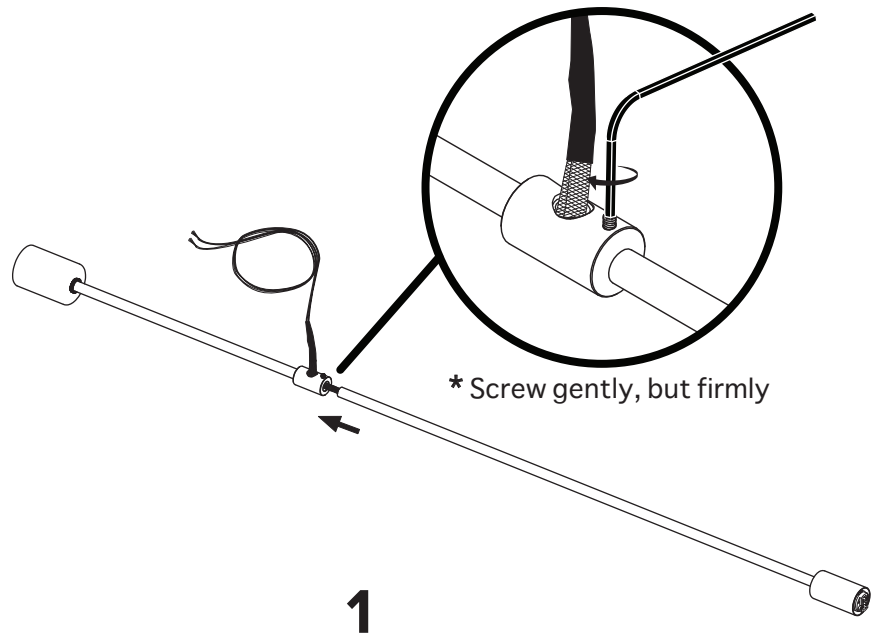


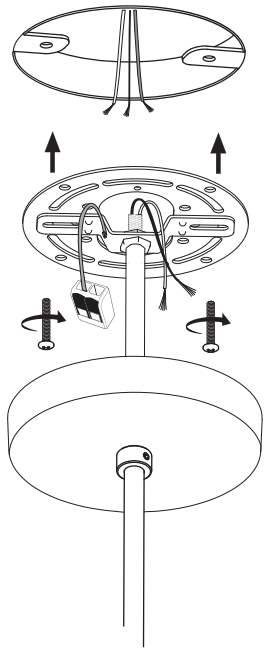
G100



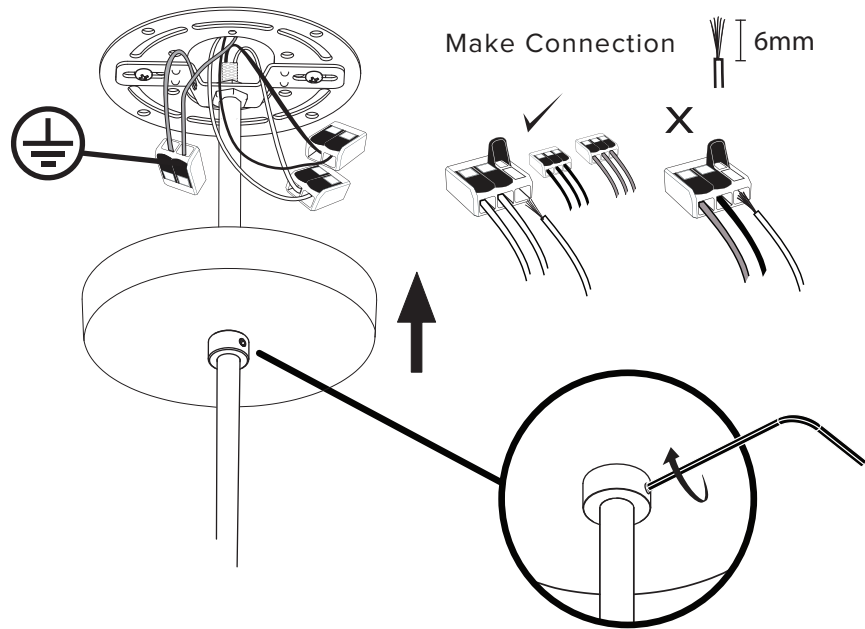
- 
- To be installed by an electrician to an electrical box
  - Use appropriate screws and anchors where necessary
  - Wear enclosed gloves when handling lamp
  - Handle materials with care. Please consult lamp maintenance sheet on our web site







**5**

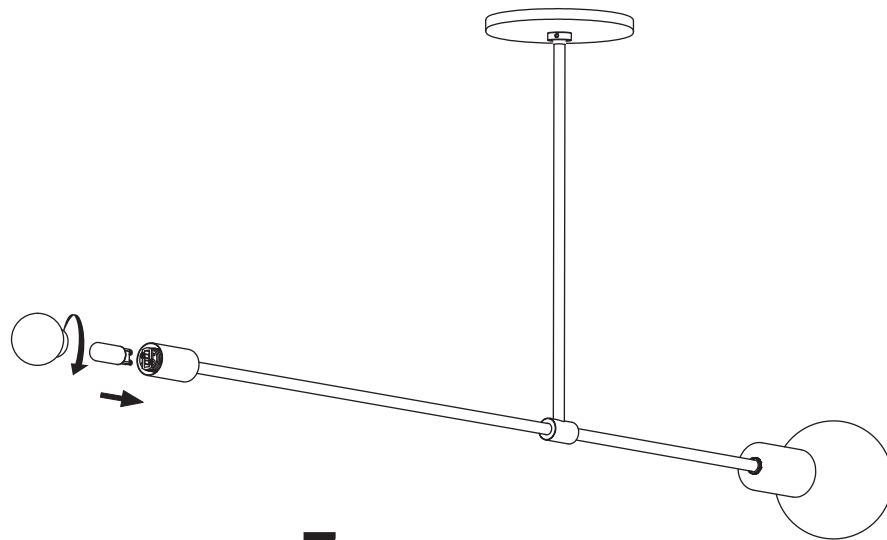


Make Connection

6mm

**6**

\* Screw gently, but firmly



**7**