

ANTIPODE

3 x



1 x



1 x



1 x



3.5W

1 x



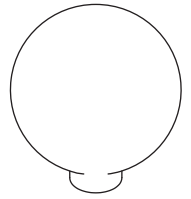
G50

1 x

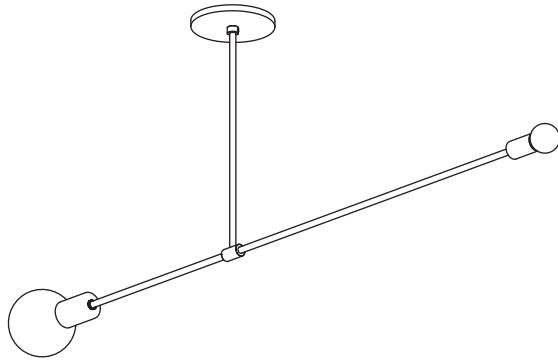


4.5W

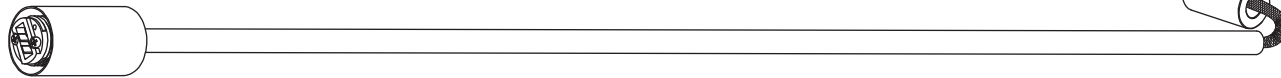
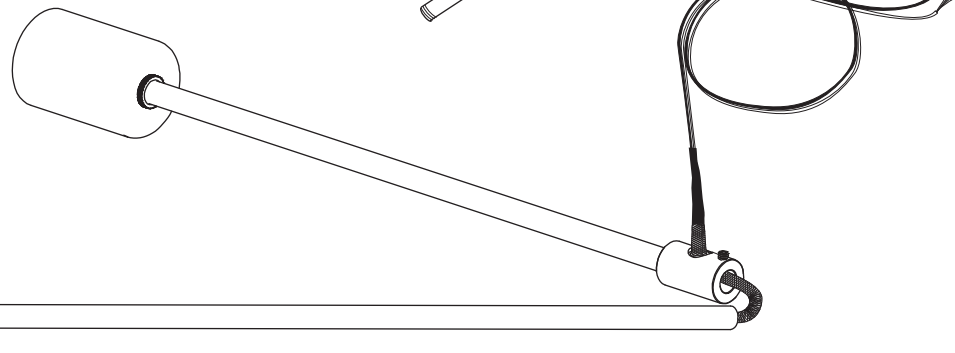
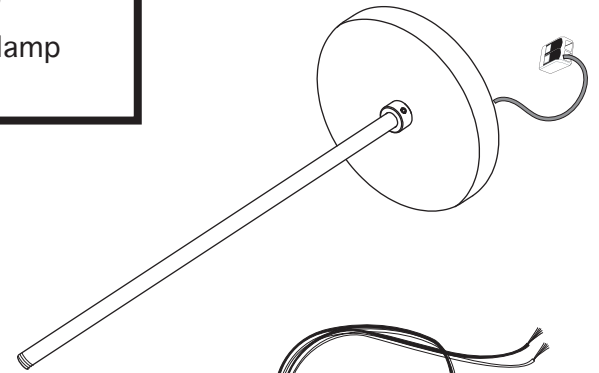
1 x

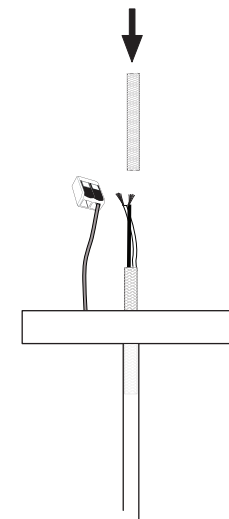
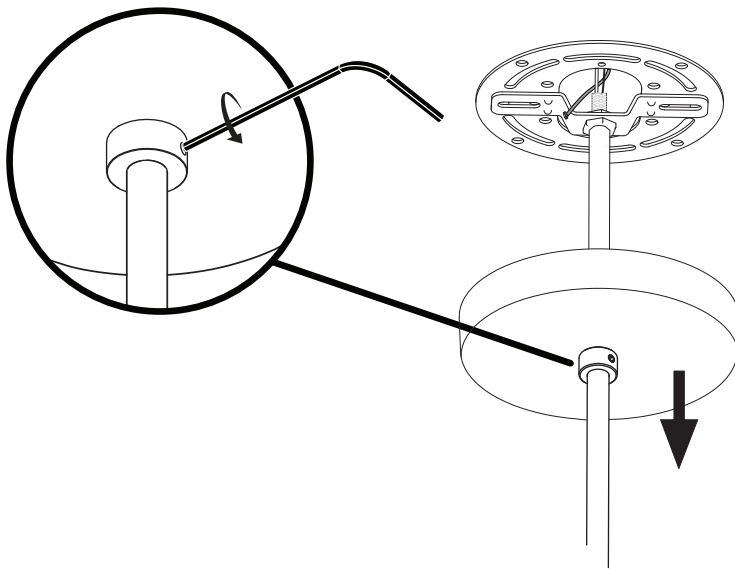
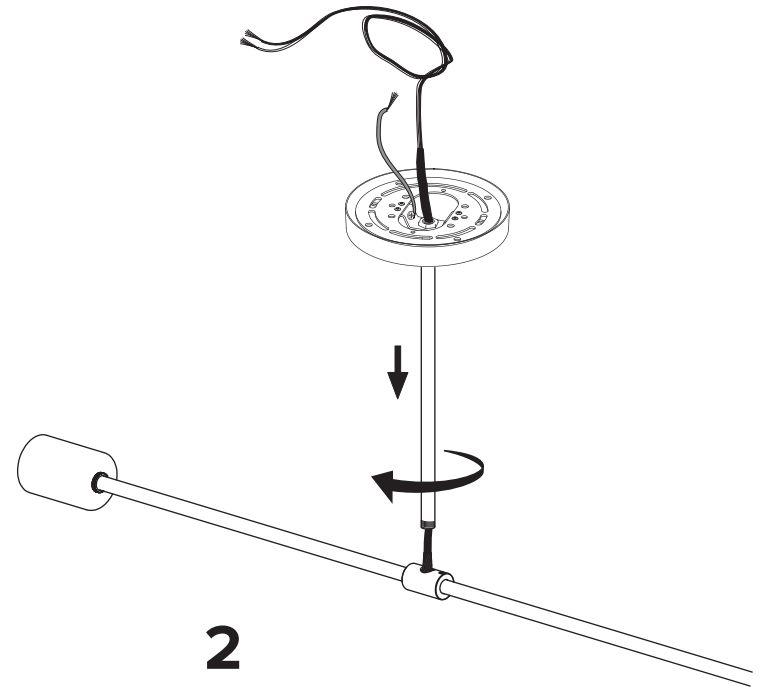
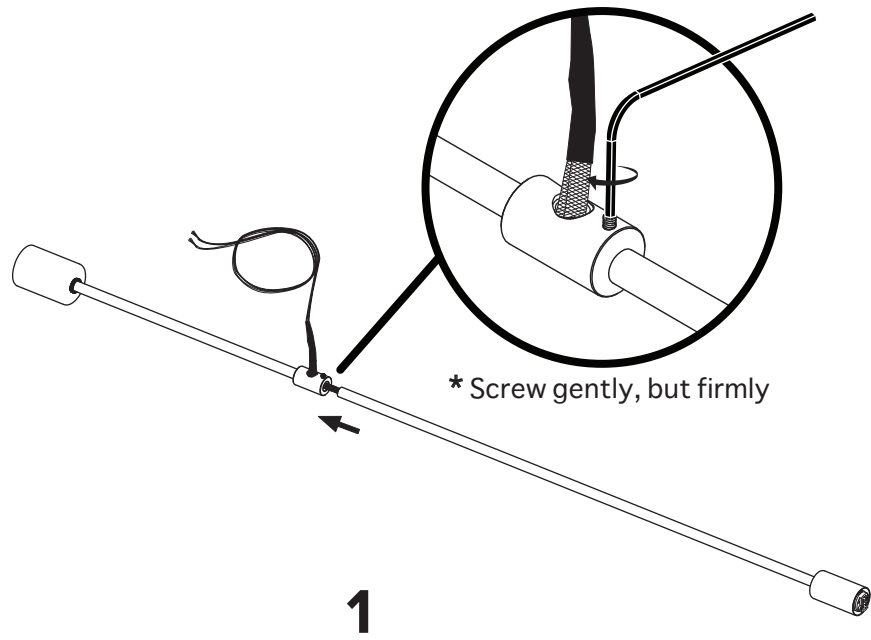


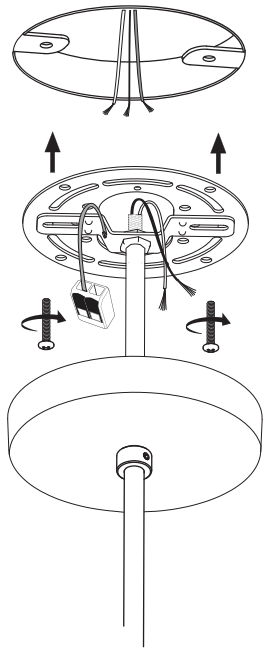
G100



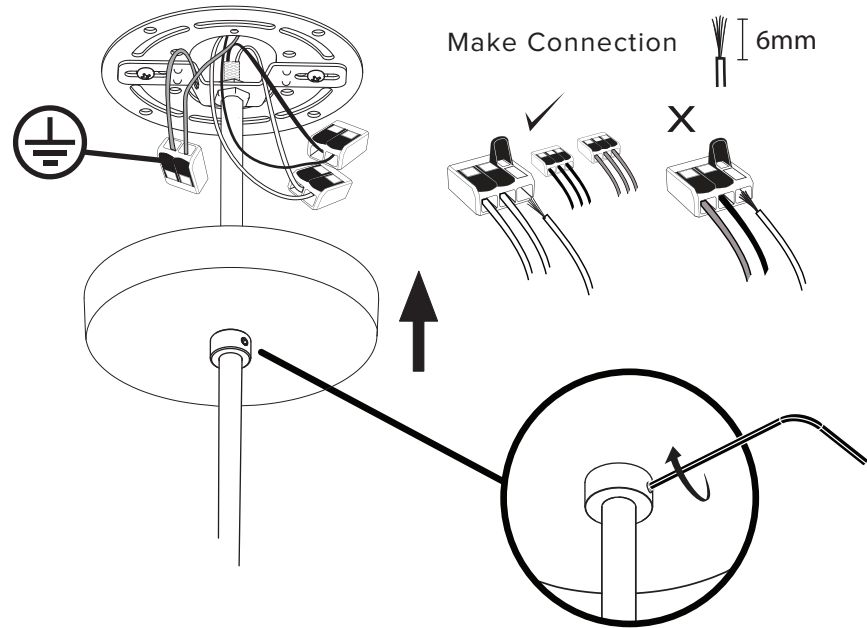
- To be installed by an electrician to an electrical box
- Use appropriate screws and anchors where necessary
- Wear enclosed gloves when handling lamp
- Handle materials with care. Please consult lamp maintenance sheet on our web site





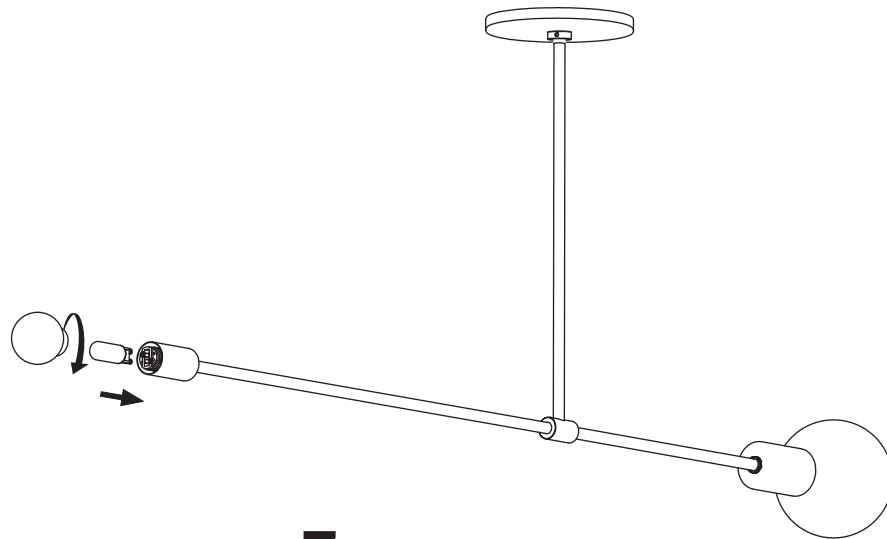


5



6

* Screw gently, but firmly



7