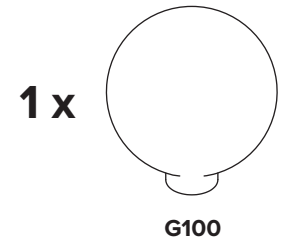
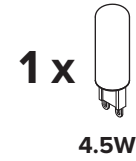
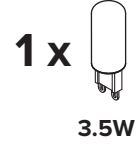
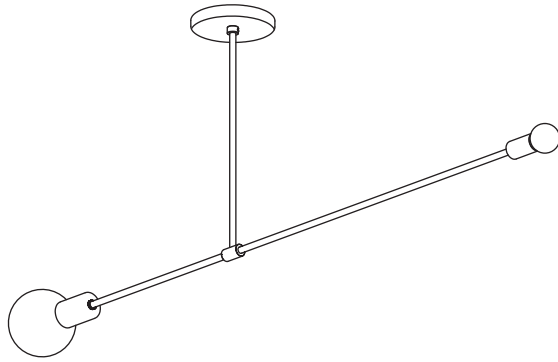



# ANTIPODE



- 
- To be installed by an electrician to an electrical box
  - Use appropriate screws and anchors where necessary
  - Wear enclosed gloves when handling lamp
  - Handle materials with care. Please consult lamp maintenance sheet on our web site

