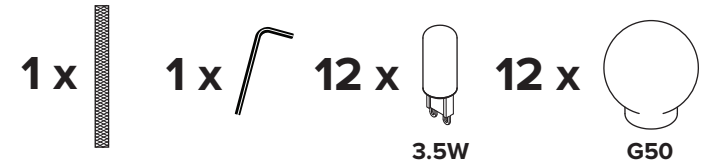
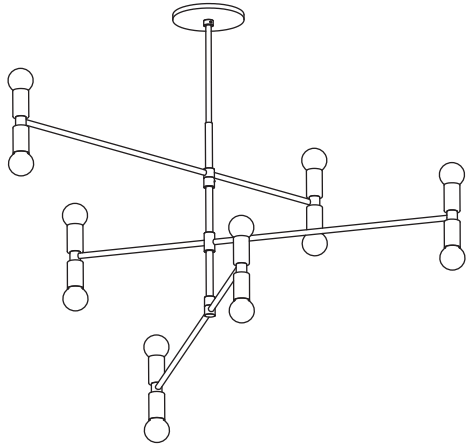




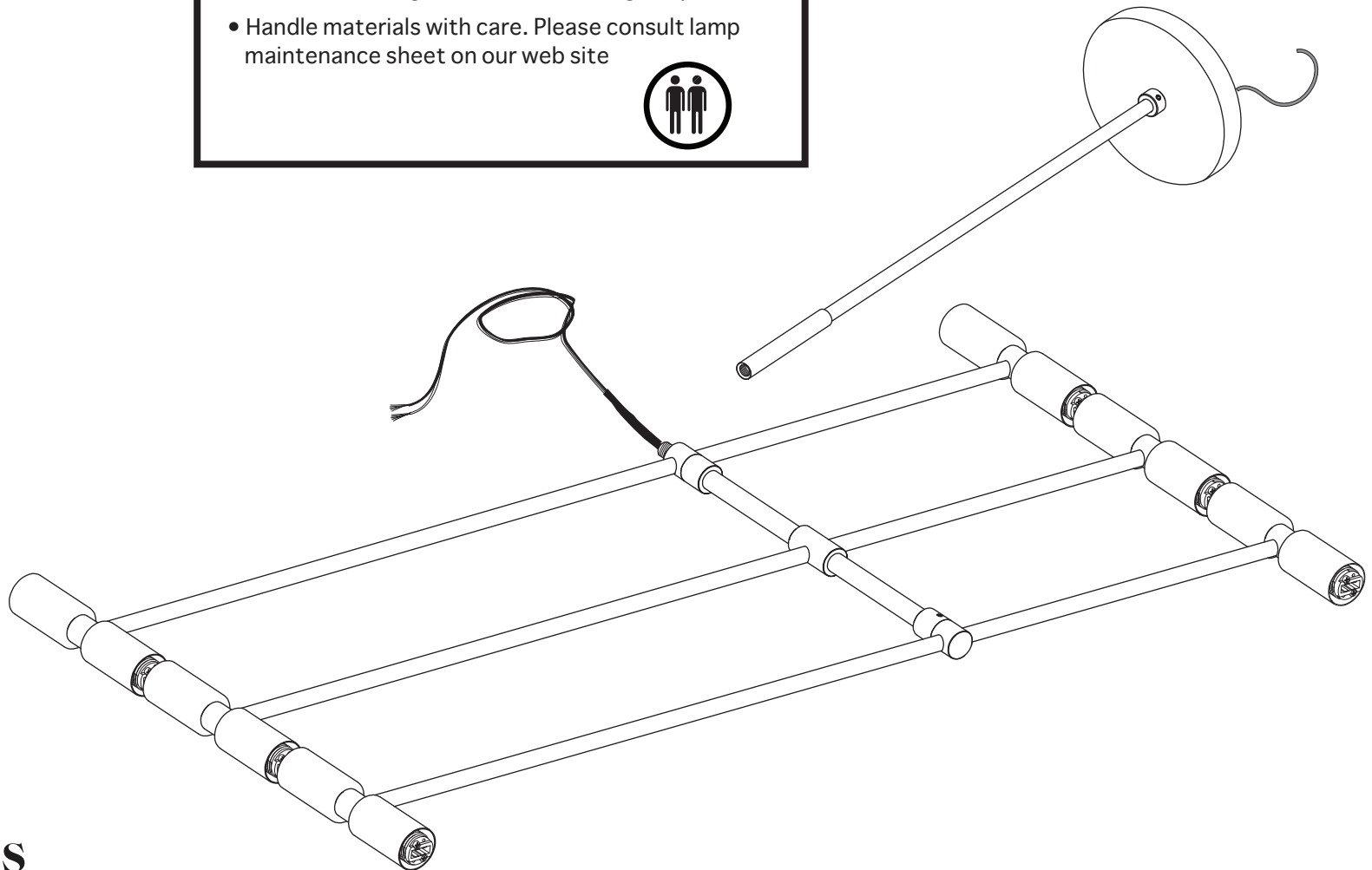
ATOMIUM

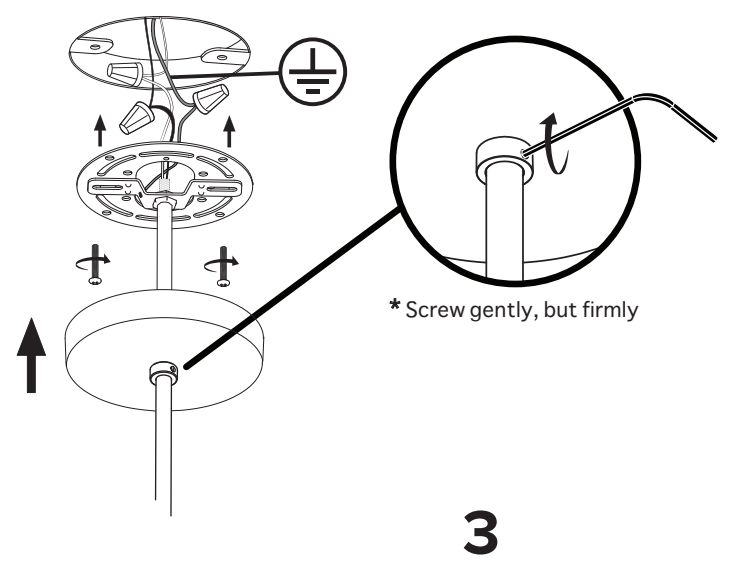
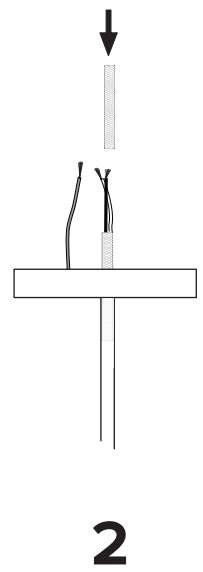
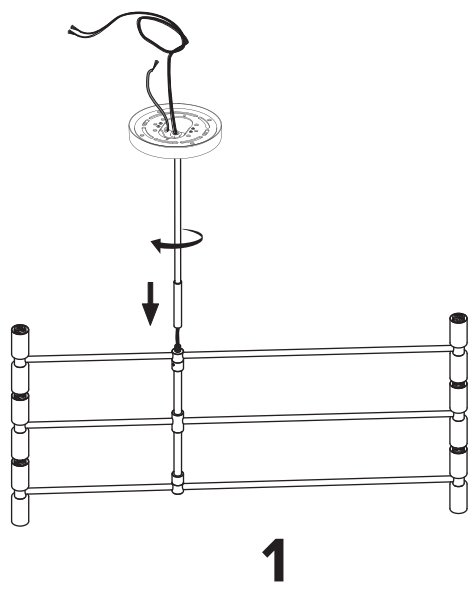




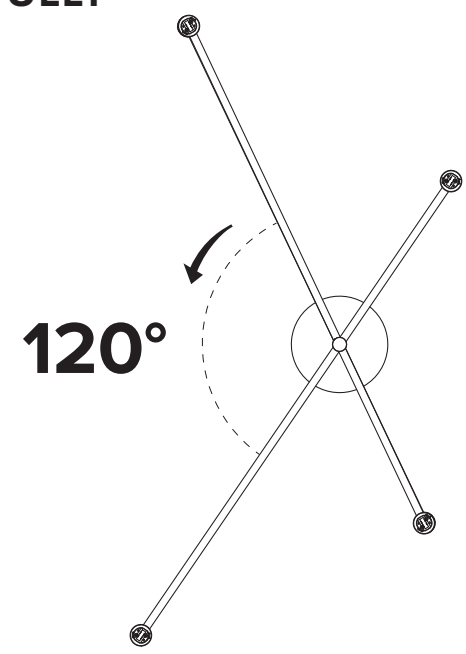
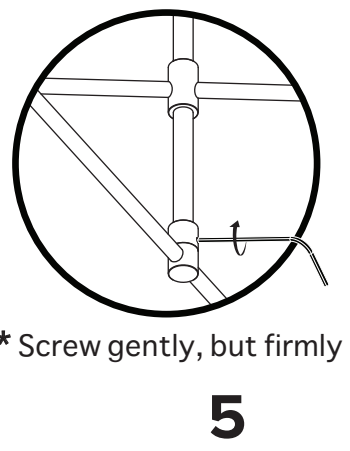
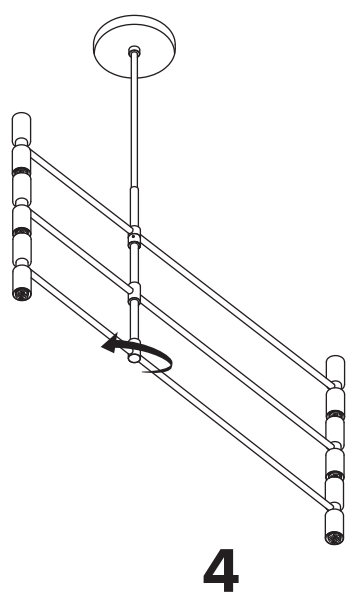
- To be installed by an electrician to an electrical box
- Use appropriate screws and anchors where necessary
- Wear enclosed gloves when handling lamp
- Handle materials with care. Please consult lamp maintenance sheet on our web site



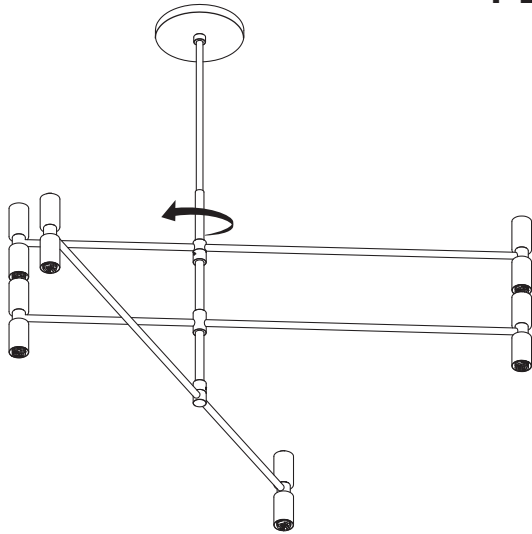




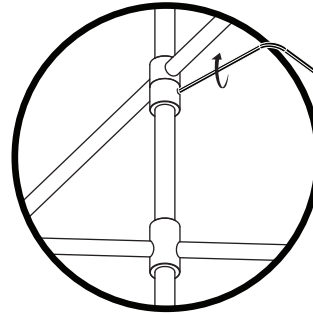
* To ensure that your lamp is properly balanced,
PLEASE FOLLOW THESE STEPS CAREFULLY



* To ensure that your lamp is properly balanced,
PLEASE FOLLOW THESE STEPS CAREFULLY

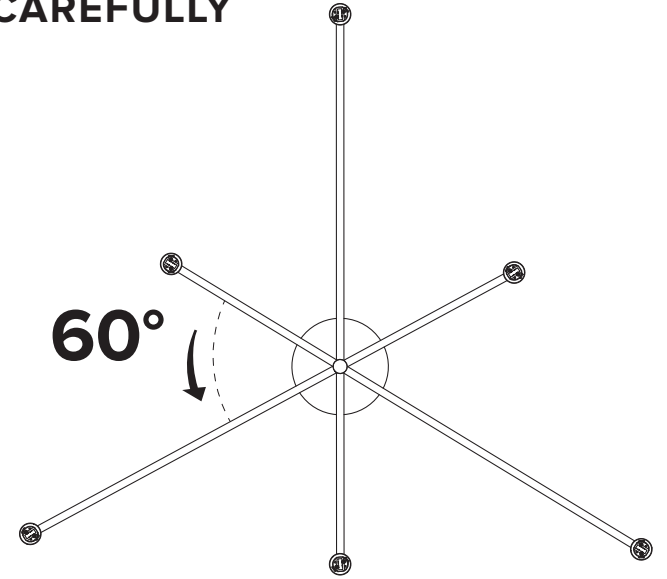


6

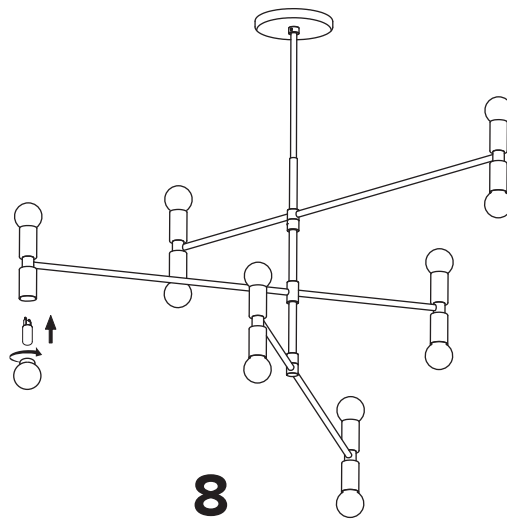


* Screw gently, but firmly

7



60°



8