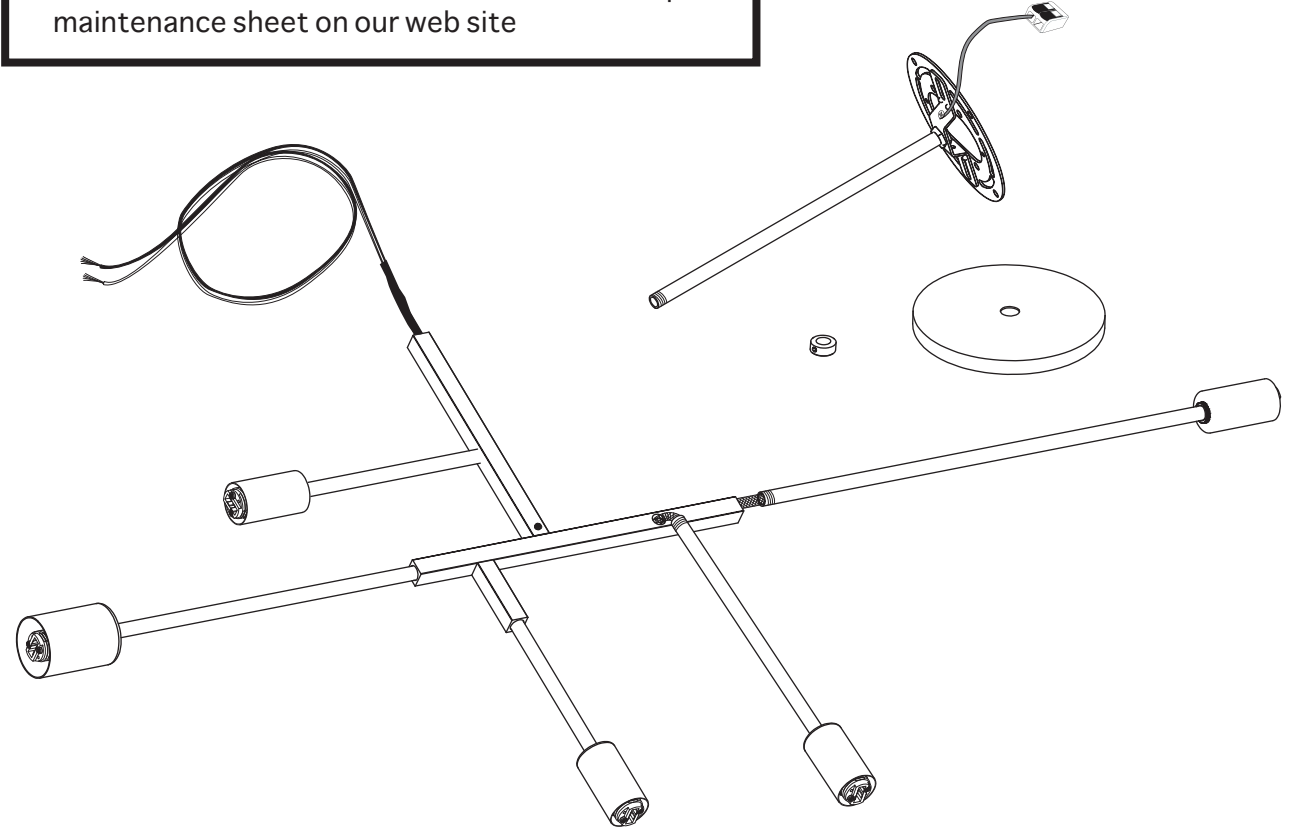
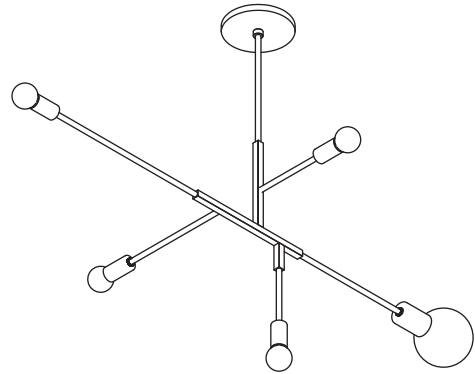
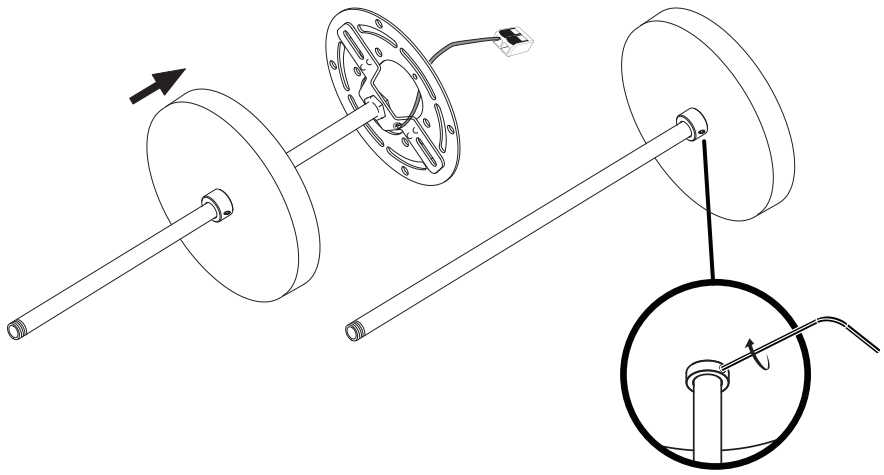


CLIFF SUSPENSION



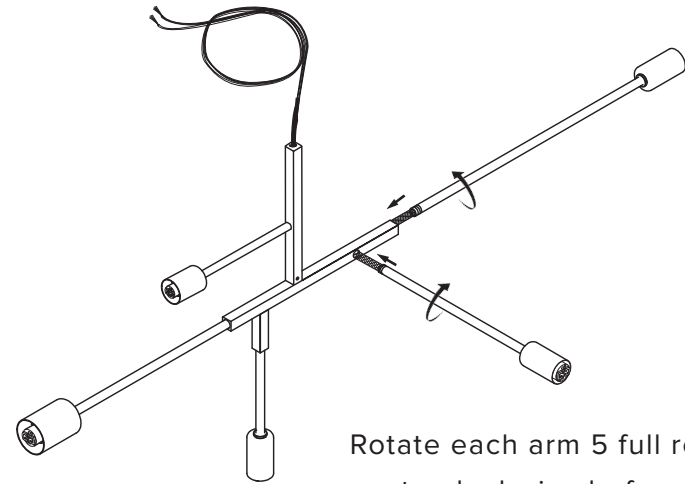
- To be installed by an electrician to an electrical box
- Use appropriate screws where necessary
- Wear enclosed gloves when handling lamp
- Handle materials with care. Please consult lamp maintenance sheet on our web site





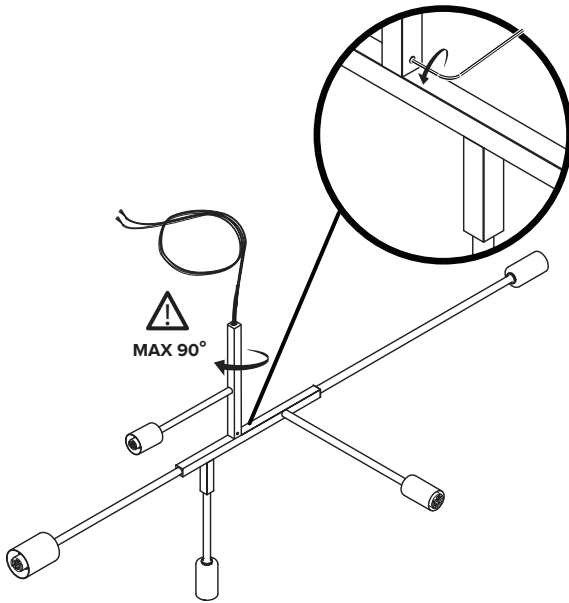
* Screw gently, but firmly

1



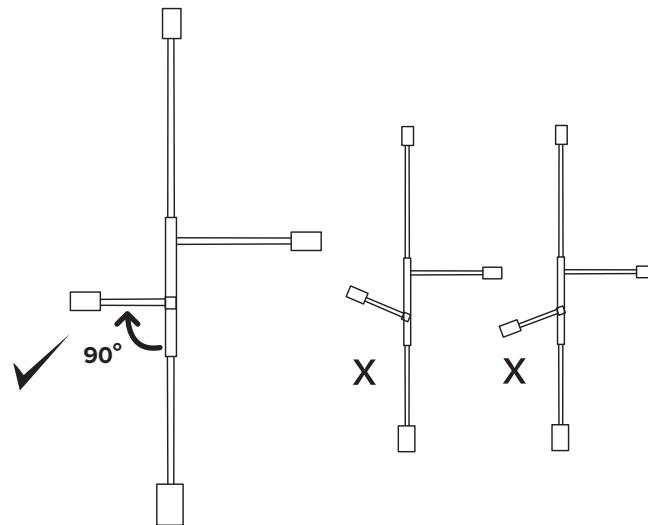
Rotate each arm 5 full rotations
counterclockwise before inserting
arms into body to prevent wires
from over twisting.

2



MAX 90°

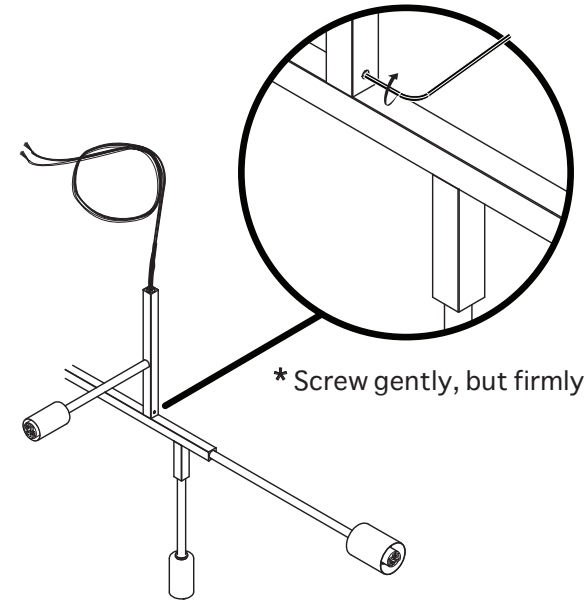
3



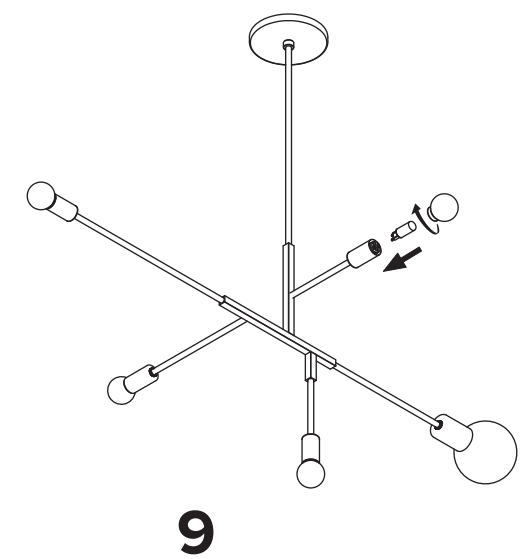
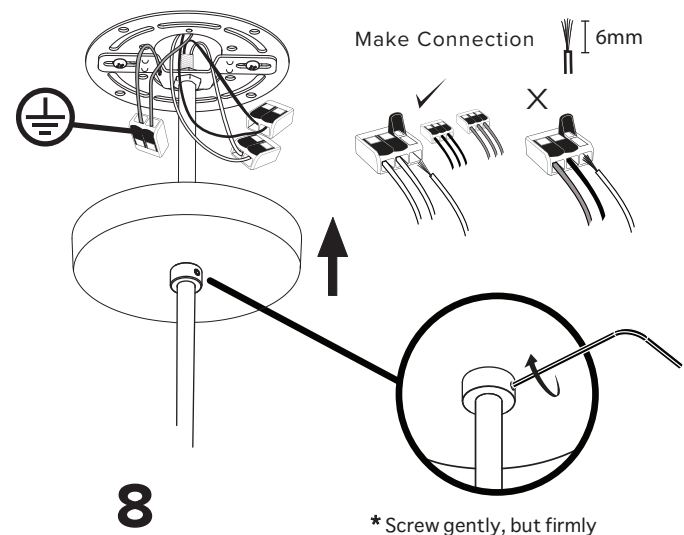
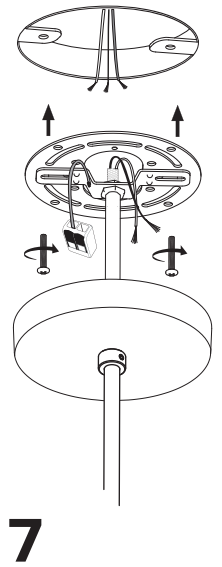
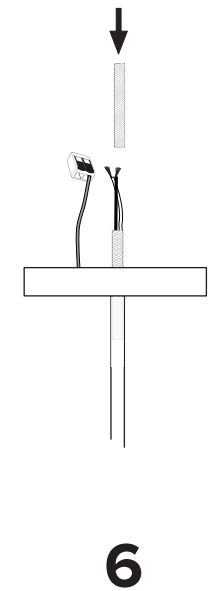
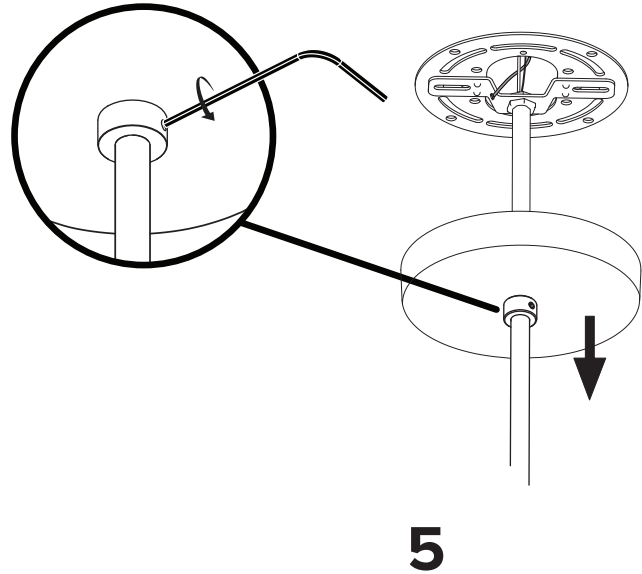
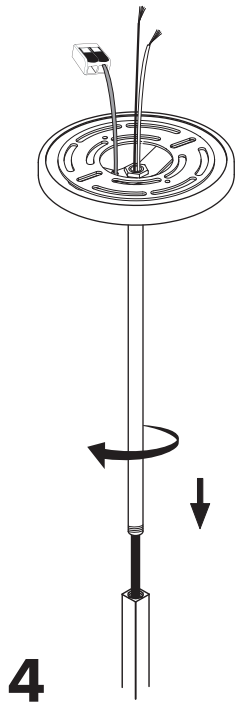
90°

X

X



* Screw gently, but firmly



* Screw gently, but firmly