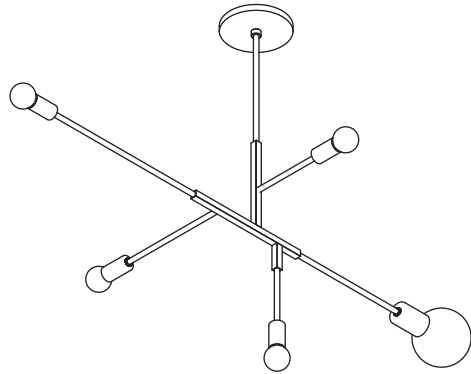

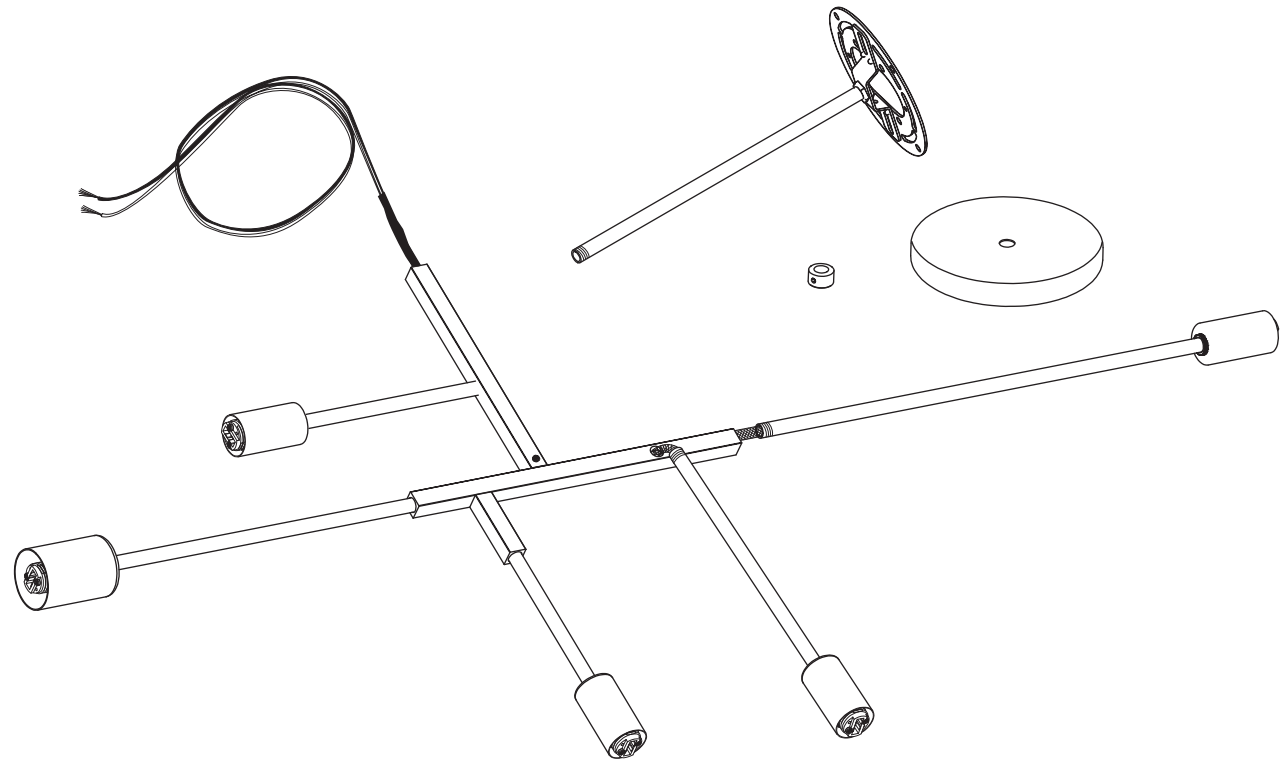
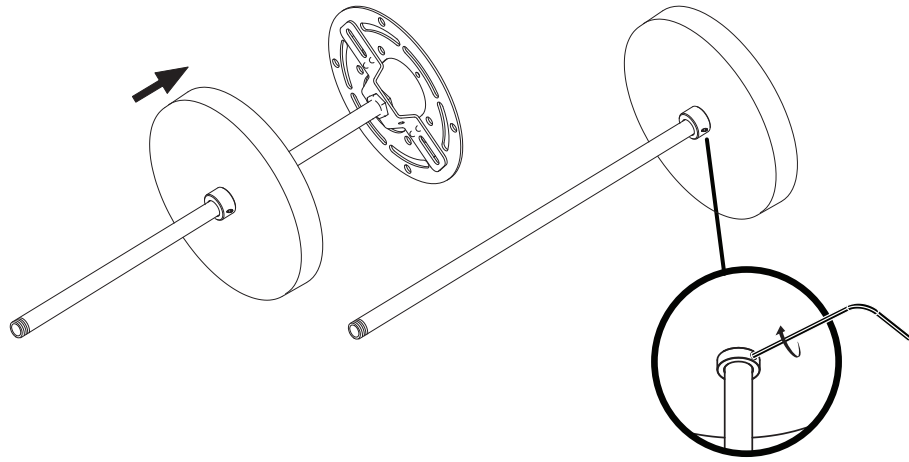


# CLIFF SUSPENSION



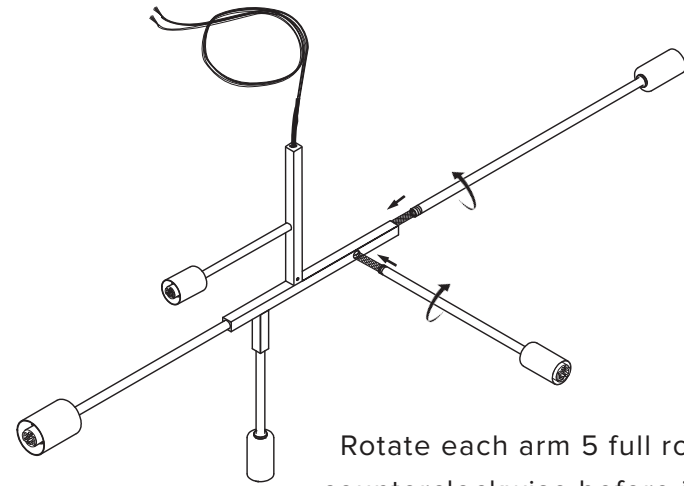
- 
- To be installed by an electrician to an electrical box
  - Use appropriate screws where necessary
  - Wear enclosed gloves when handling lamp
  - Handle materials with care. Please consult lamp maintenance sheet on our web site





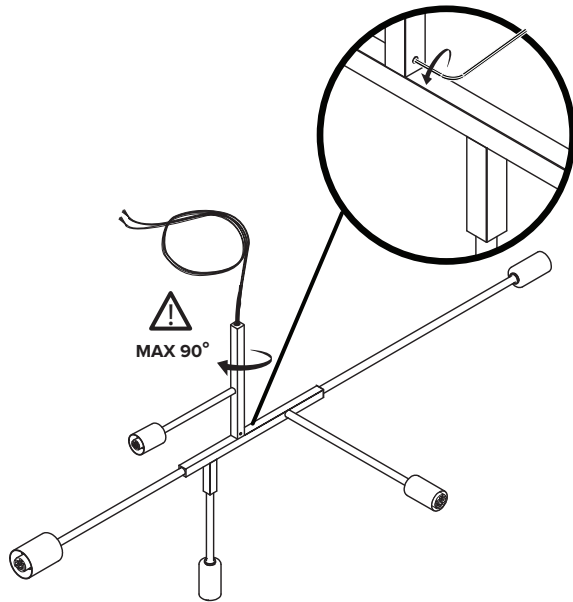
\* Screw gently, but firmly

**1**

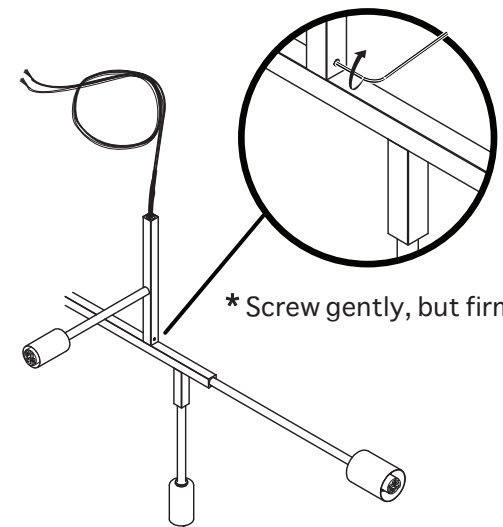
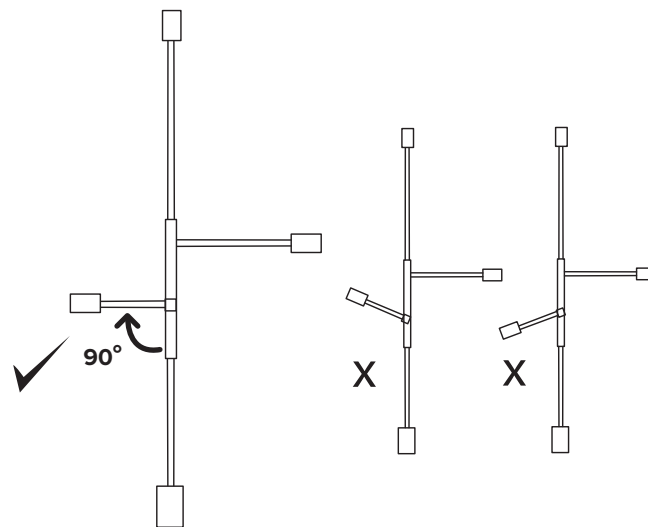


Rotate each arm 5 full rotations  
counterclockwise before inserting  
arms into body to prevent wires  
from over twisting.

**2**



**3**



\* Screw gently, but firmly

