
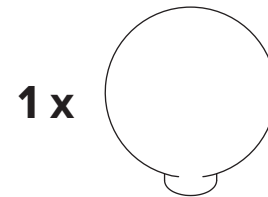
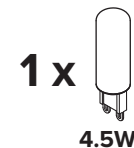
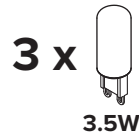
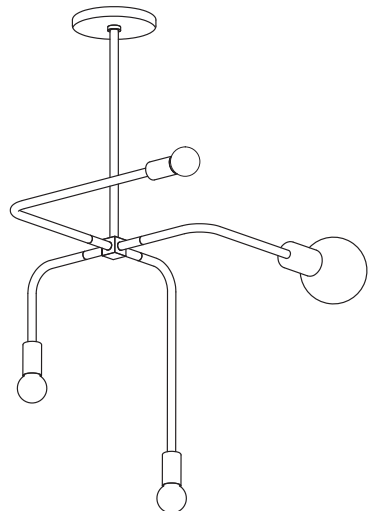
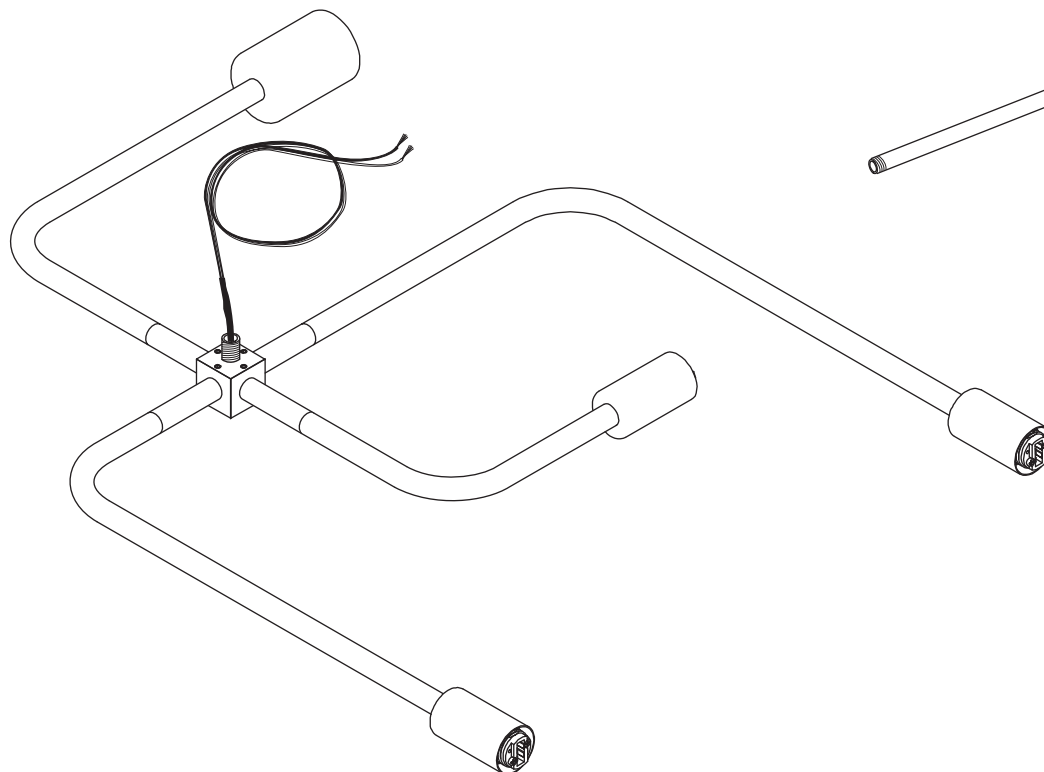
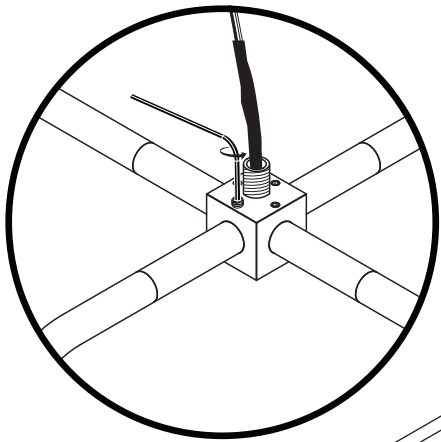


# BEAUBIEN SUSPENSION



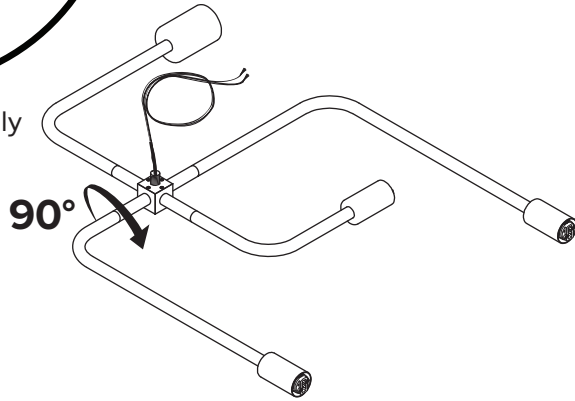
- To be installed by an electrician to an electrical box
- Use appropriate screws and anchors where necessary
- Wear enclosed gloves when handling lamp
- Handle materials with care. Please consult lamp maintenance sheet on our web site



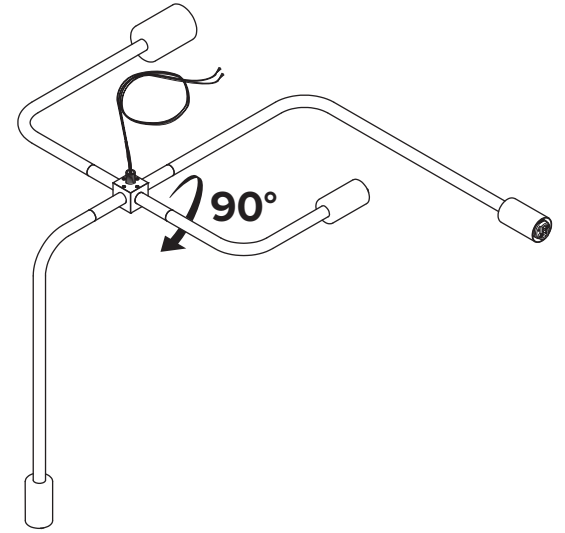


\* Screw gently, but firmly

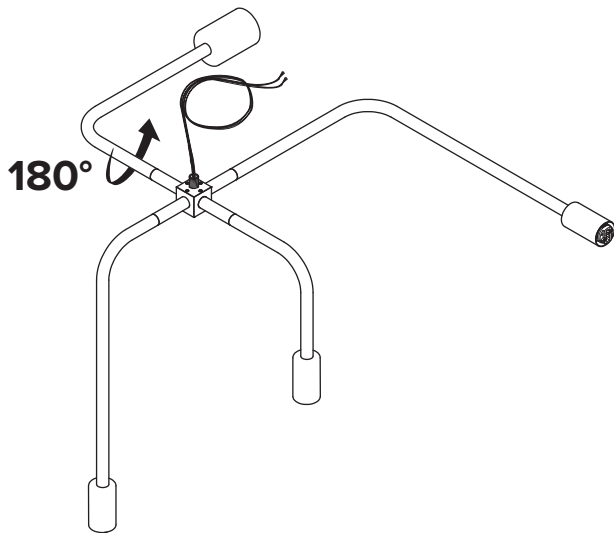
**1**



**2**



**3**



**4**

