
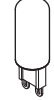

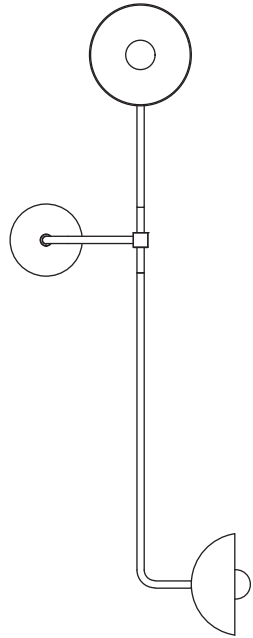

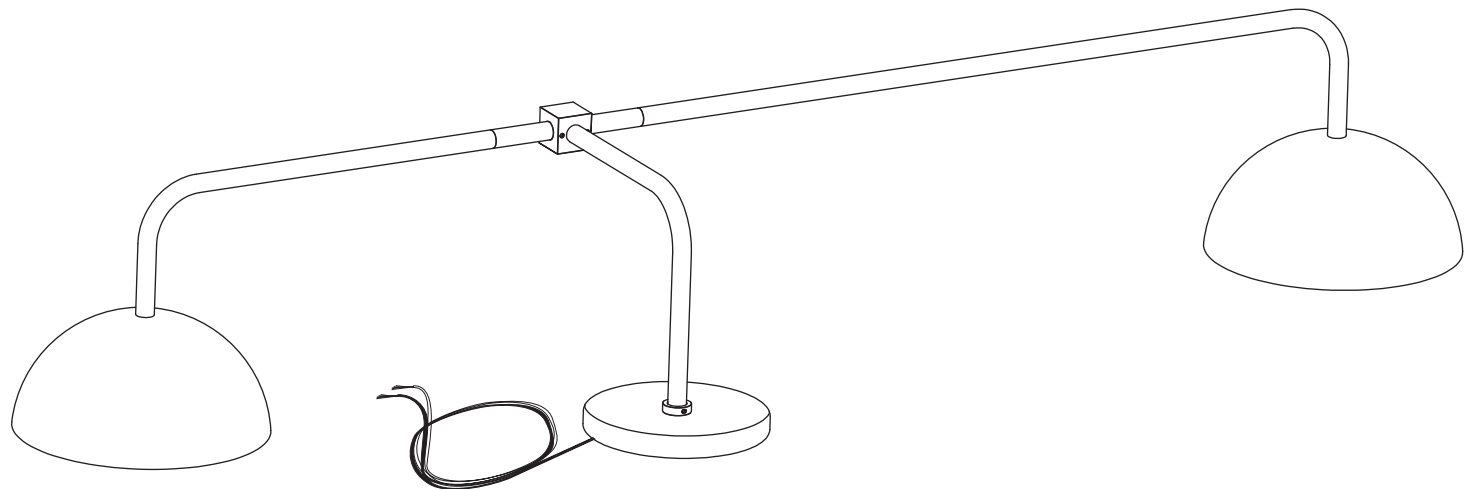


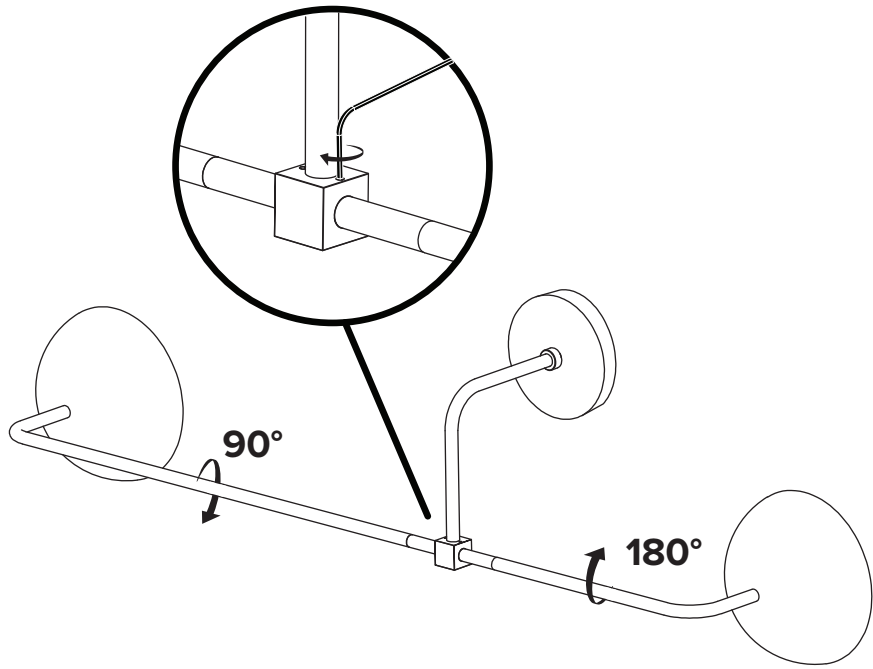
# BEAUBIEN DOUBLE SHADE

1 x  2 x  3.5W 2 x  G50

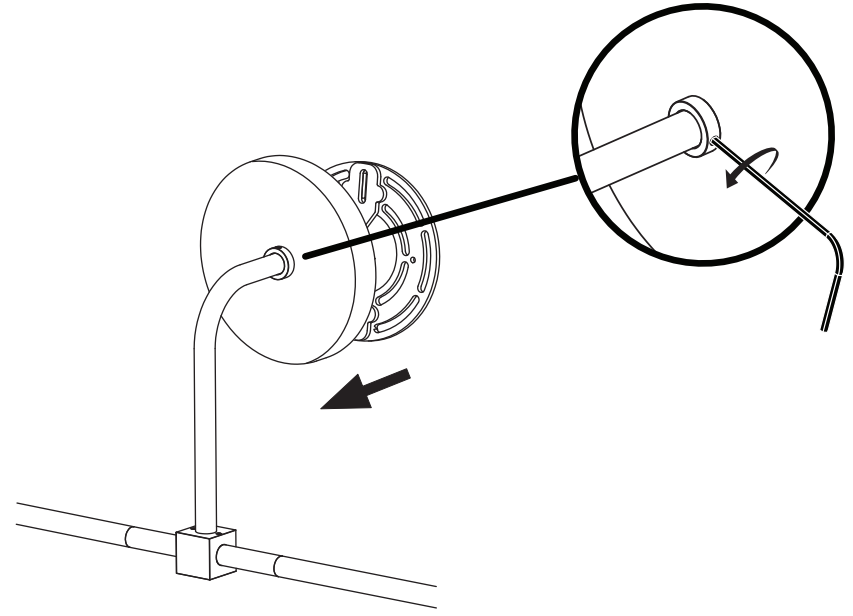


- 
- To be installed by an electrician to an electrical box
  - Use appropriate screws and anchors where necessary
  - Wear enclosed gloves when handling lamp
  - Handle materials with care. Please consult lamp maintenance sheet on our web site
  - Wall mount only

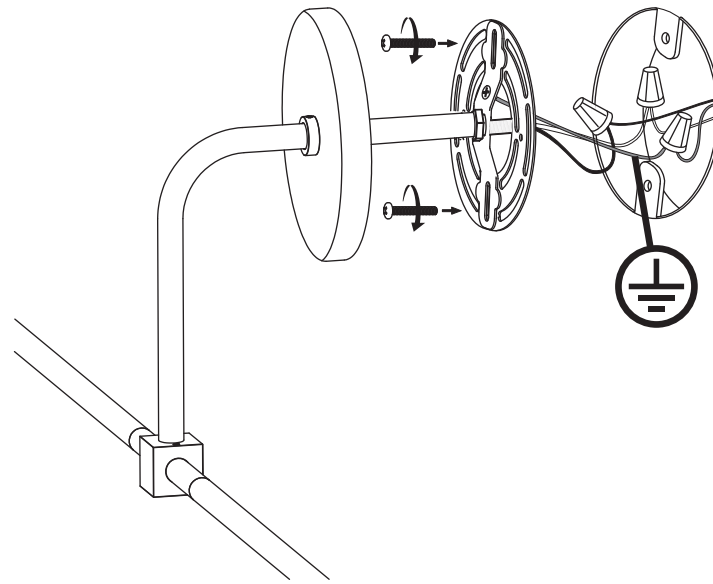




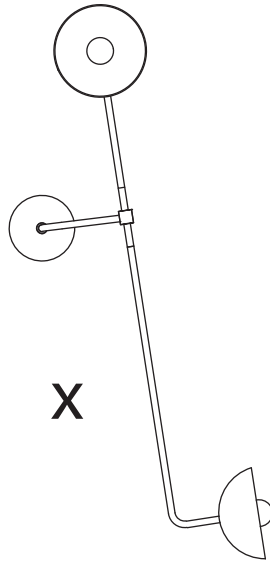
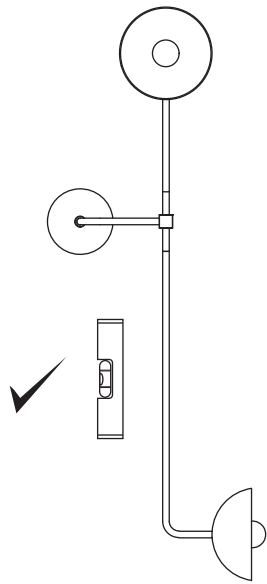
**1**



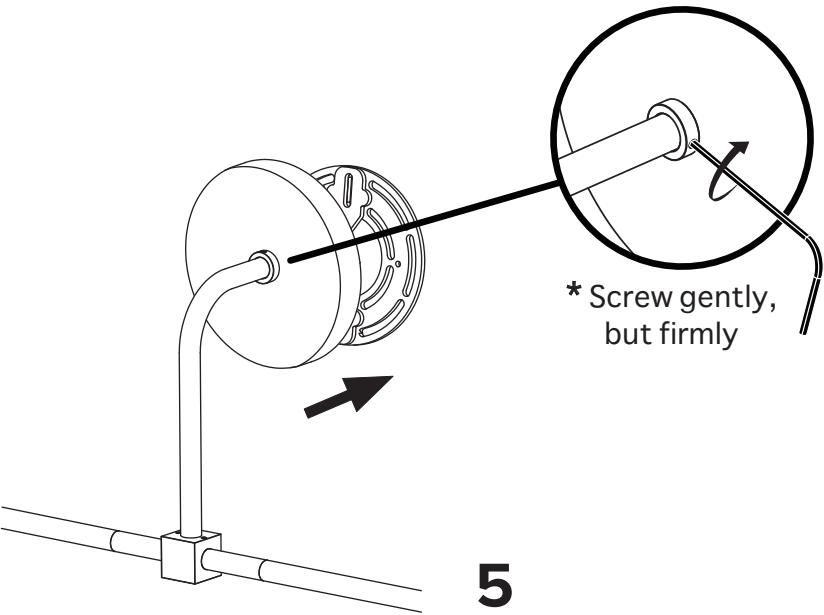
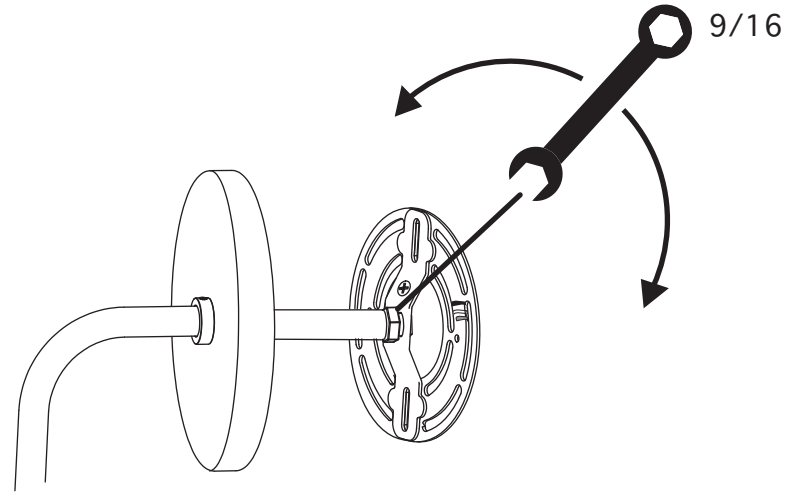
**2**



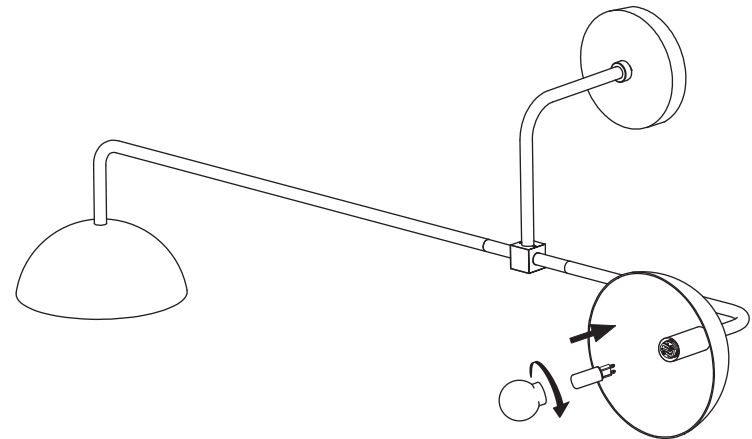
**3**



**4**



**5**



**6**