

BEAUBIEN DOUBLE SHADE

3 x



1 x



1 x



2 x

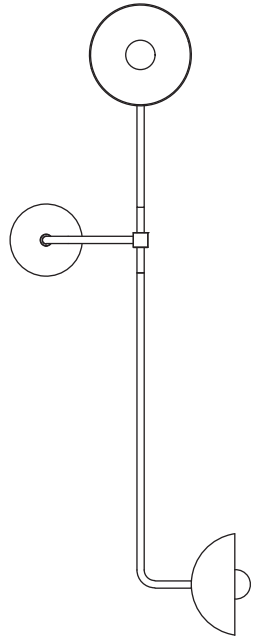


3.5W

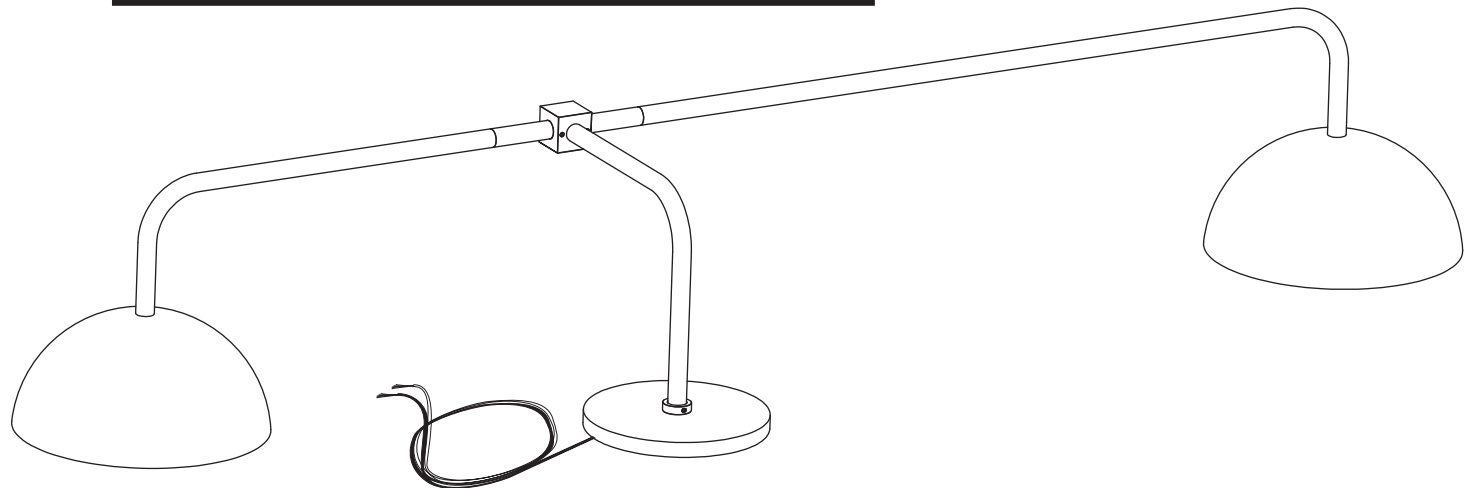
2 x

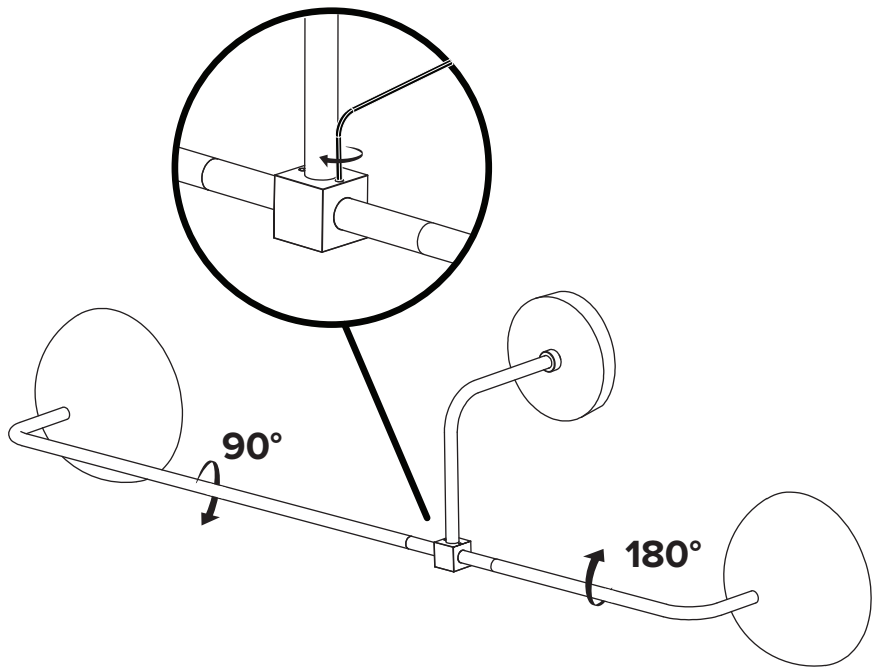


G50

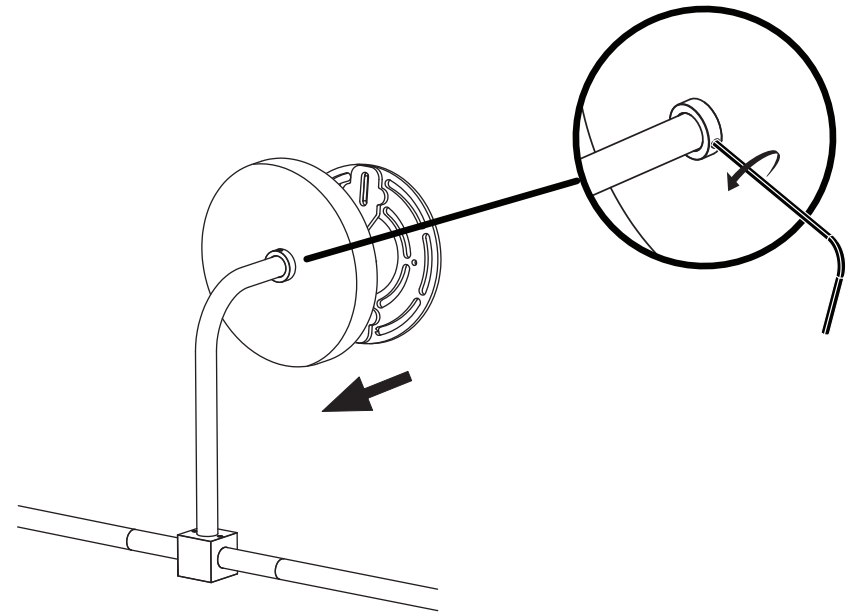


- To be installed by an electrician to an electrical box
- Use appropriate screws and anchors where necessary
- Wear enclosed gloves when handling lamp
- Handle materials with care. Please consult lamp maintenance sheet on our web site
- Wall mount only

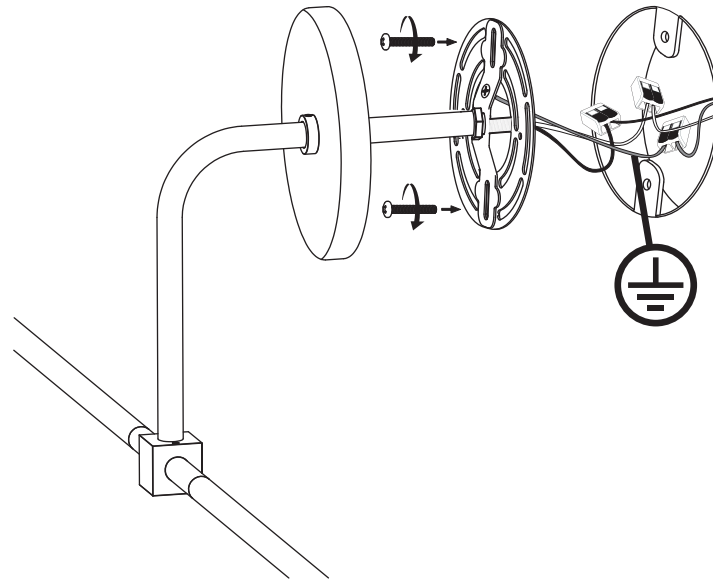




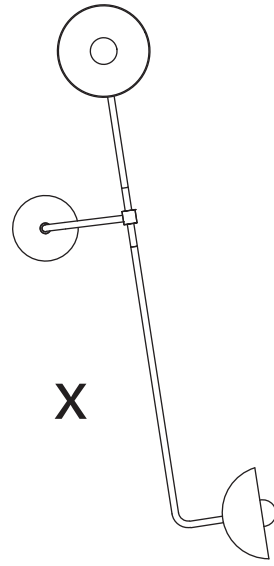
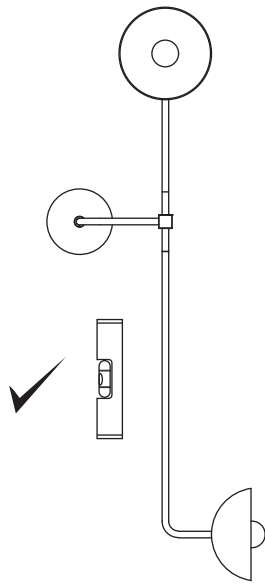
1



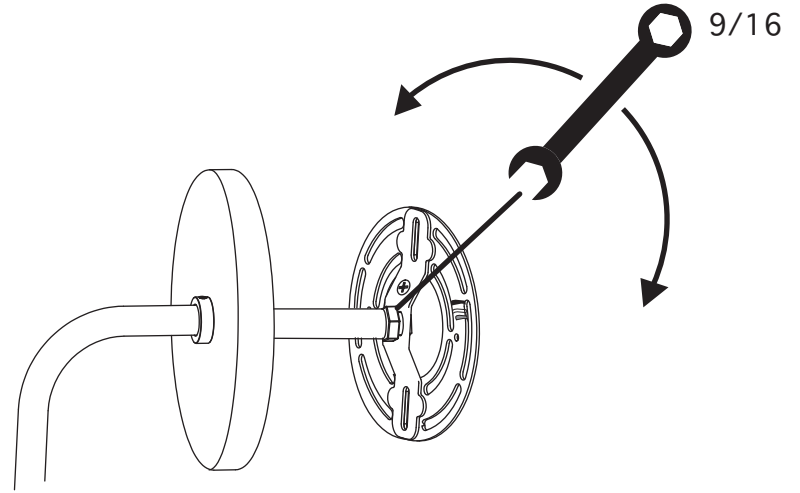
2



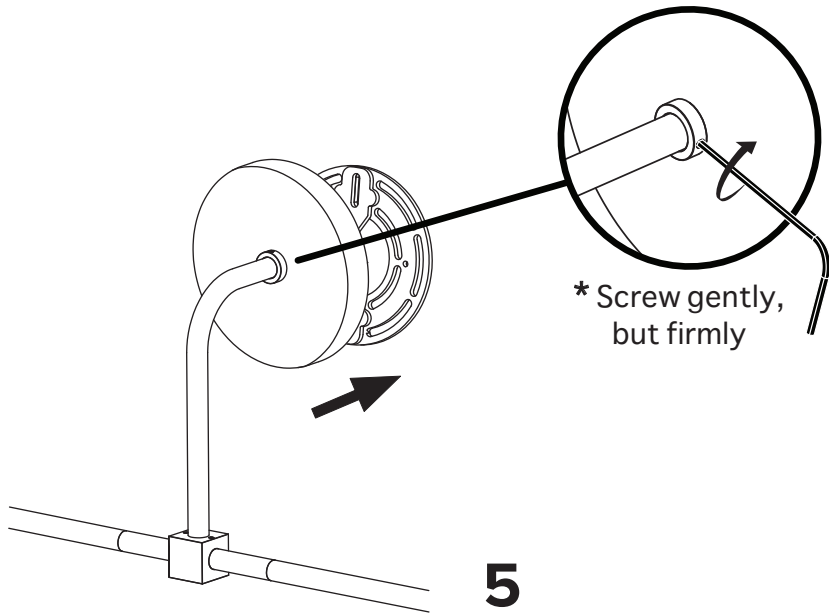
3



4

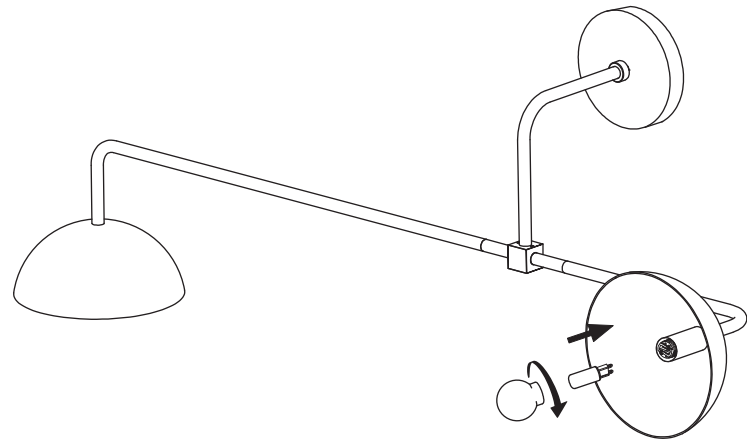


9/16



* Screw gently,
but firmly

5



6