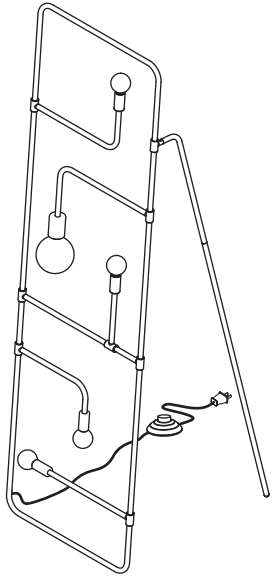


# BEAUBIEN FLOOR



1 x



4 x



3.5W

1 x



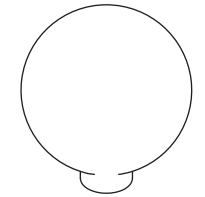
4.5W

4 x



G50

1 x



G80

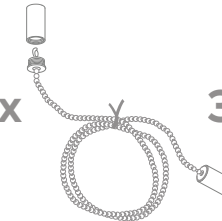


- Wear enclosed gloves when handling lamp
- Hold lamp by the frame
- Handle raw brass with care. Please consult lamp maintenance sheet on our web site

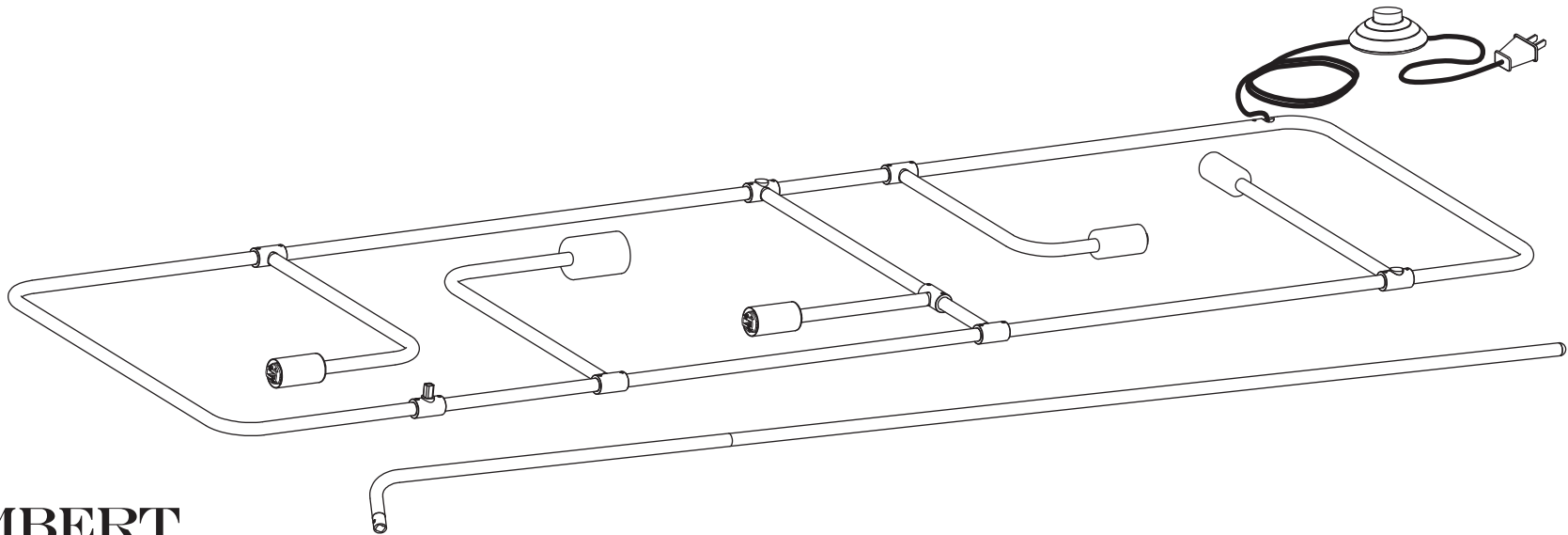
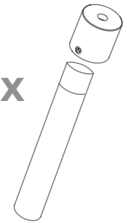
3 x

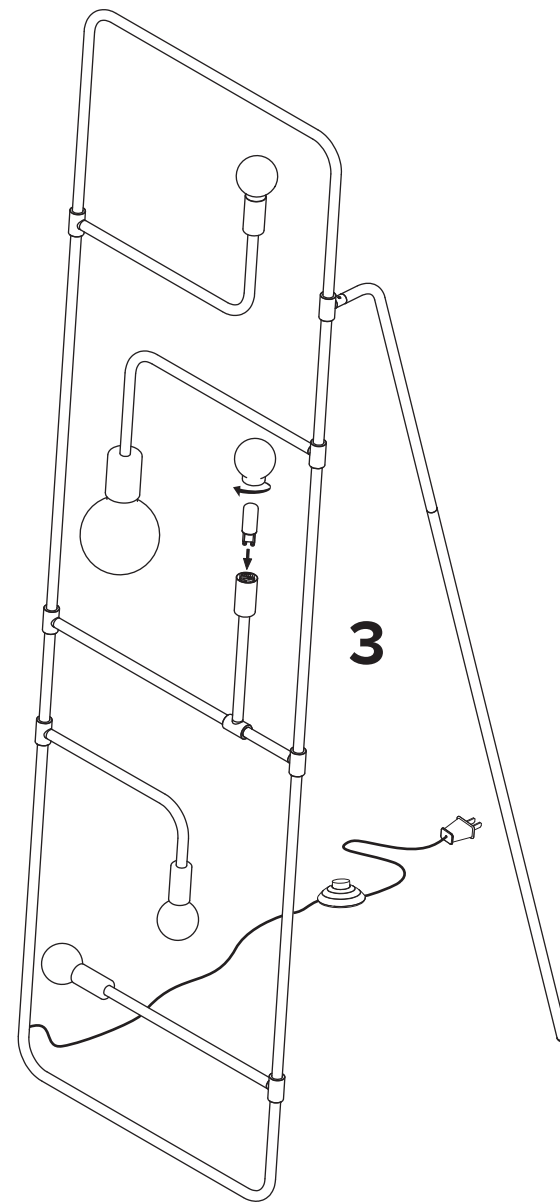
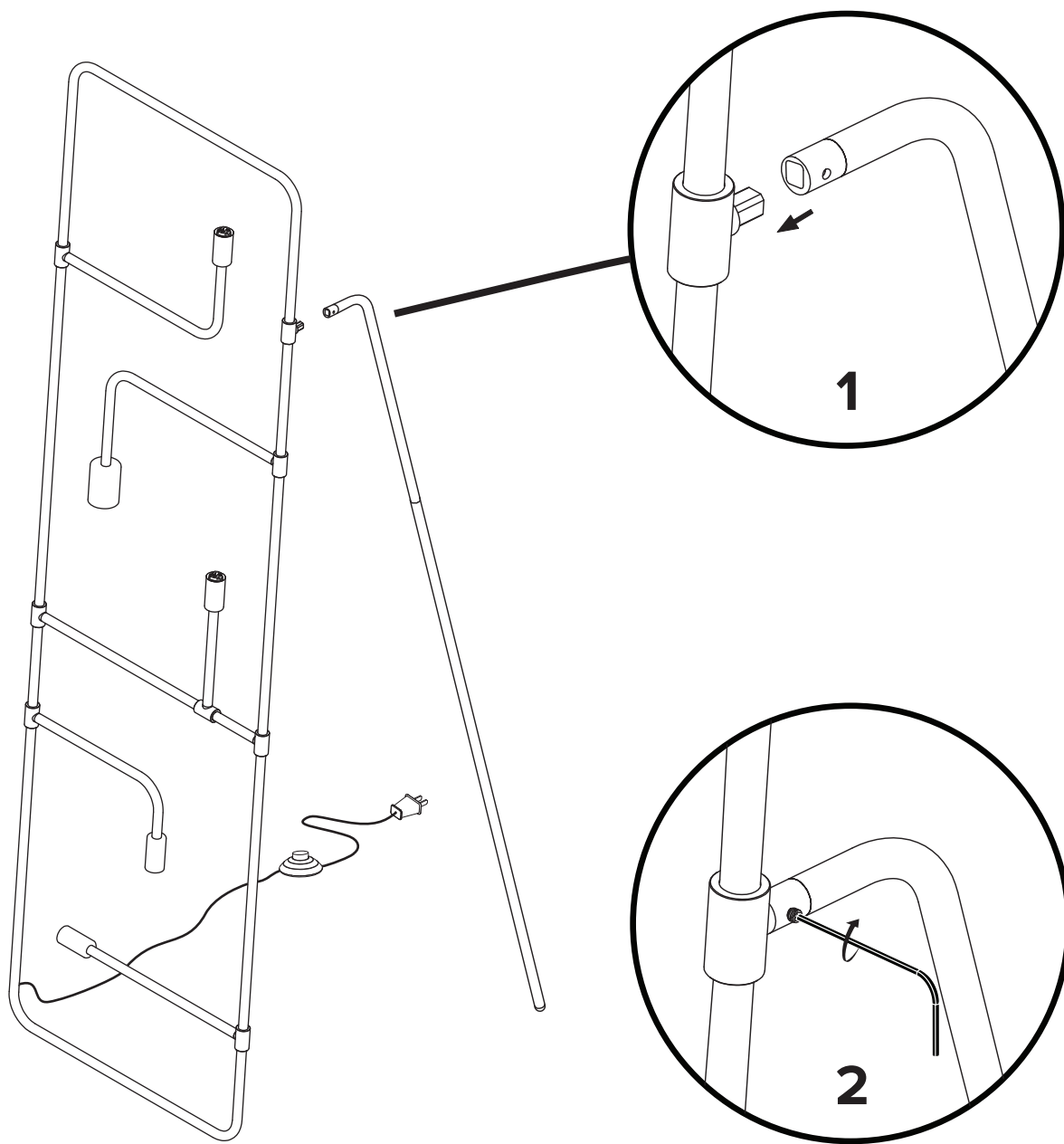


3 x



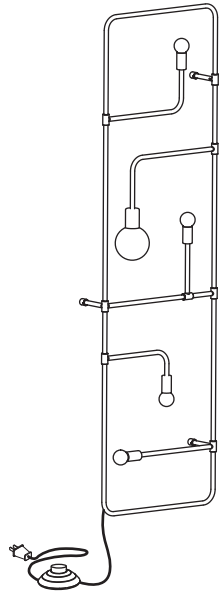
3 x







\* Screw gently, but firmly

# BEAUBIEN WALL

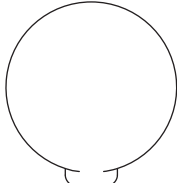



1 x 

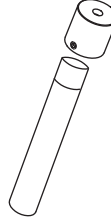
4 x   
3.5W

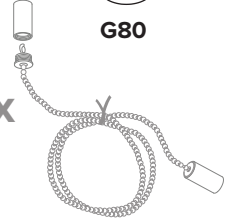
1 x   
4.5W

4 x   
G50

1 x   
G80

3 x 

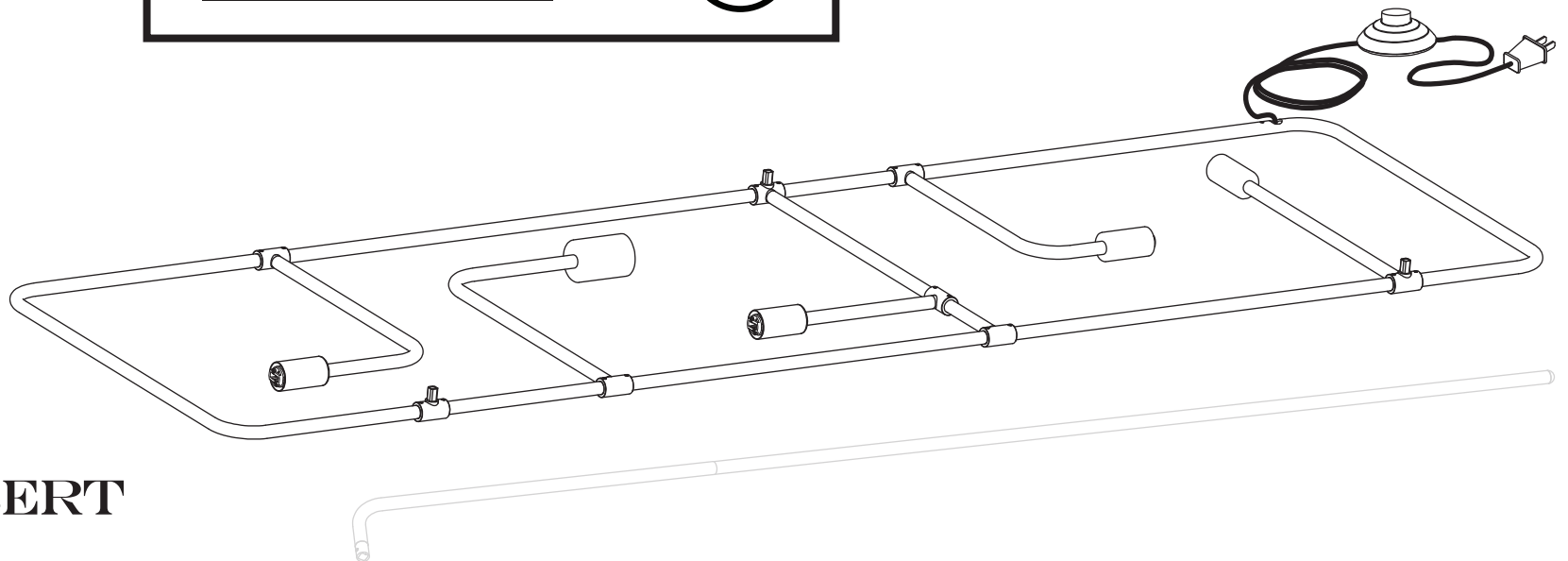
3 x 

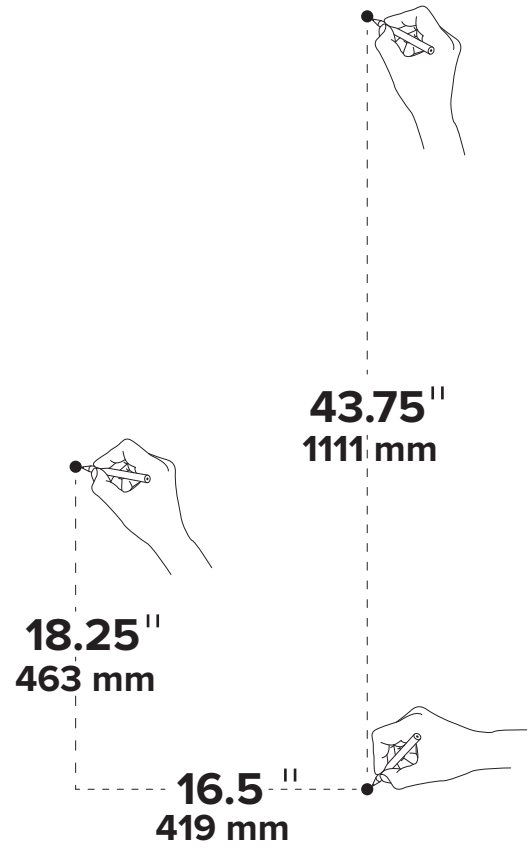
3 x 



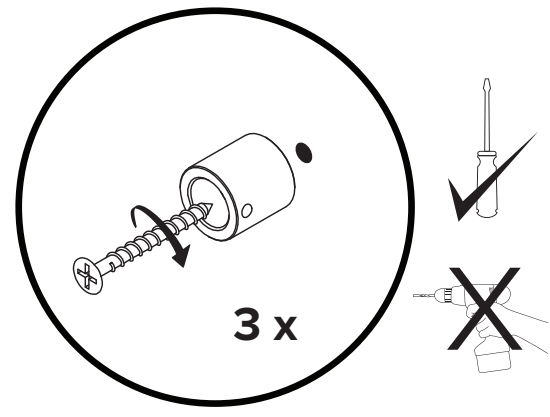
- Use appropriate screws and anchors where necessary
- Wear enclosed gloves when handling lamp
- Hold lamp by the frame
- Handle raw brass with care. Please consult lamp maintenance sheet on our web site
- Wall mount only

lamp weight **17 lbs.**

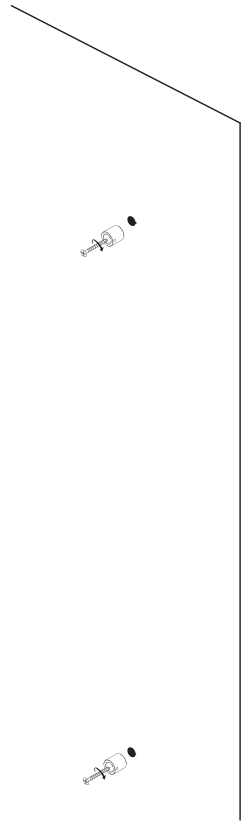
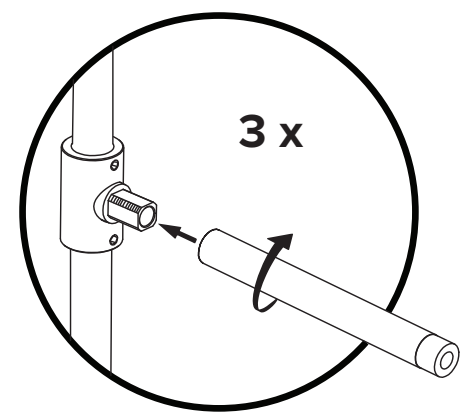




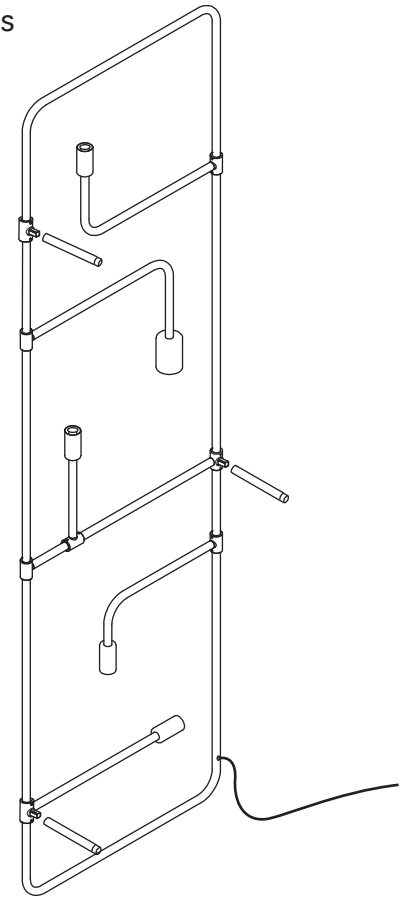
**1**



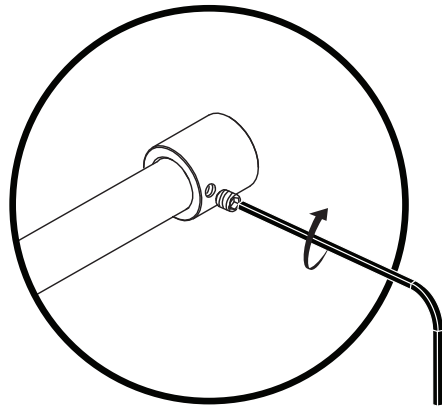
\* Use appropriate anchors



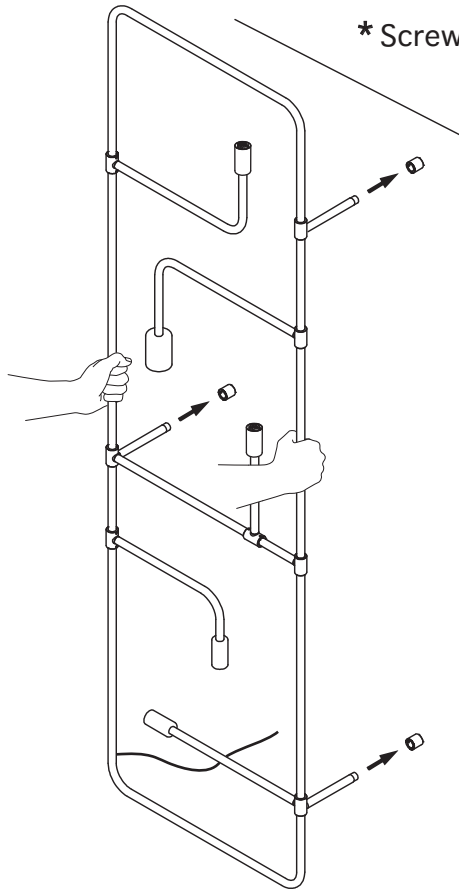
**2**



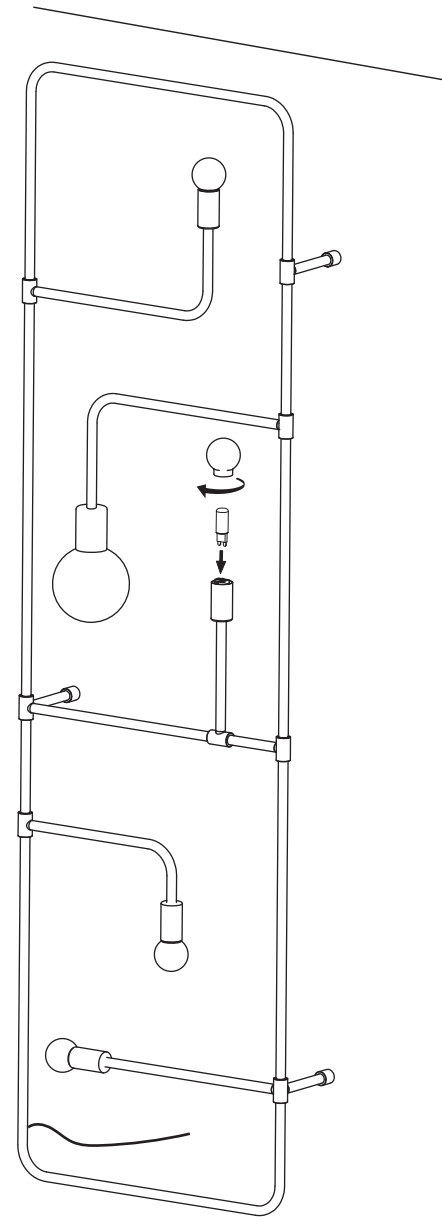
**3**



\* Screw gently, but firmly



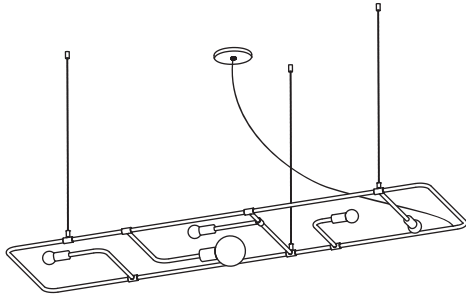
**4**




**5**




# BEAUBIEN SUSPENSION

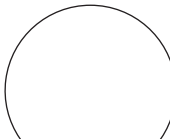



1 x 

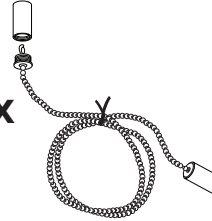
4 x   
3.5W

1 x   
4.5W


4 x   
G50

1 x   
G80

3 x 

3 x 

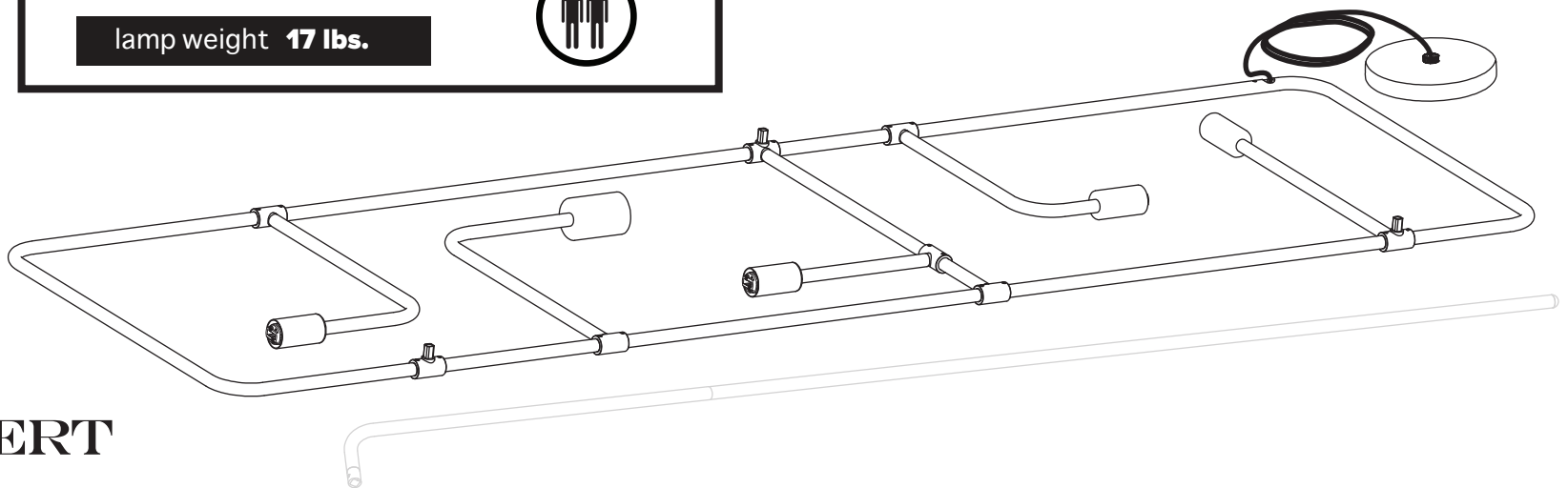
1 x 

3 x 

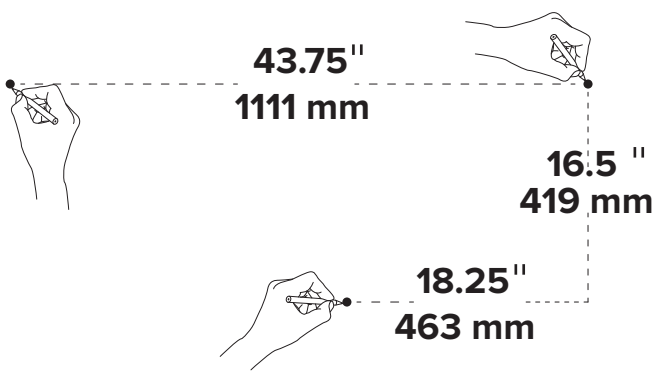


- To be installed by an electrician to an electrical box
- Use appropriate screws and anchors where necessary. Do not use the wall anchors for the ceiling position
- Wear enclosed gloves when handling lamp
- Hold lamp by the frame
- Handle materials with care. Please consult lamp maintenance sheet on our web site

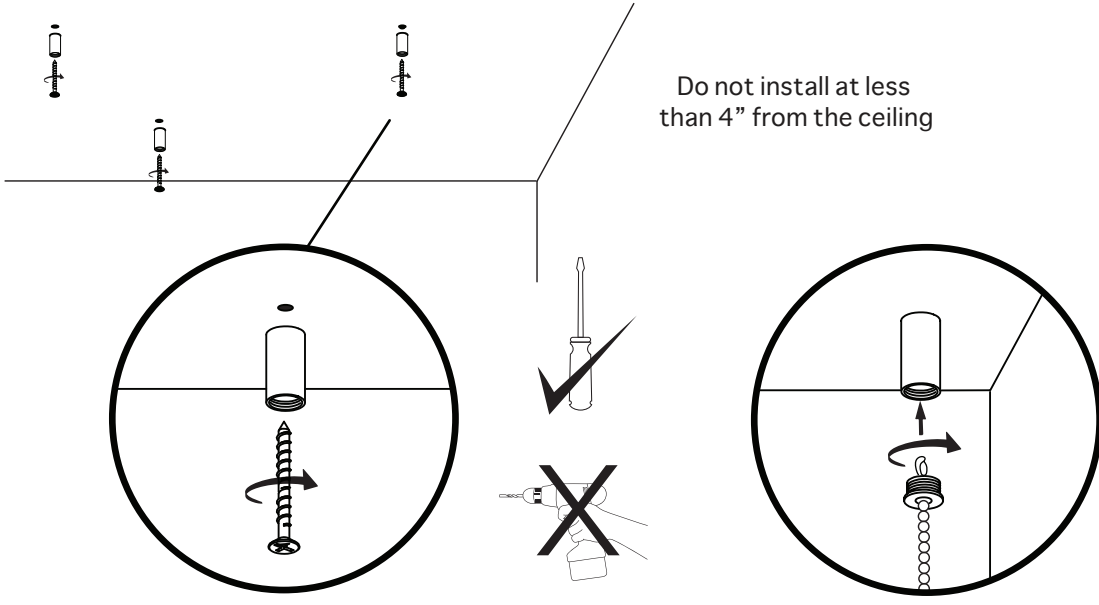
lamp weight **17 lbs.**



Do not install at less than 4" from the ceiling

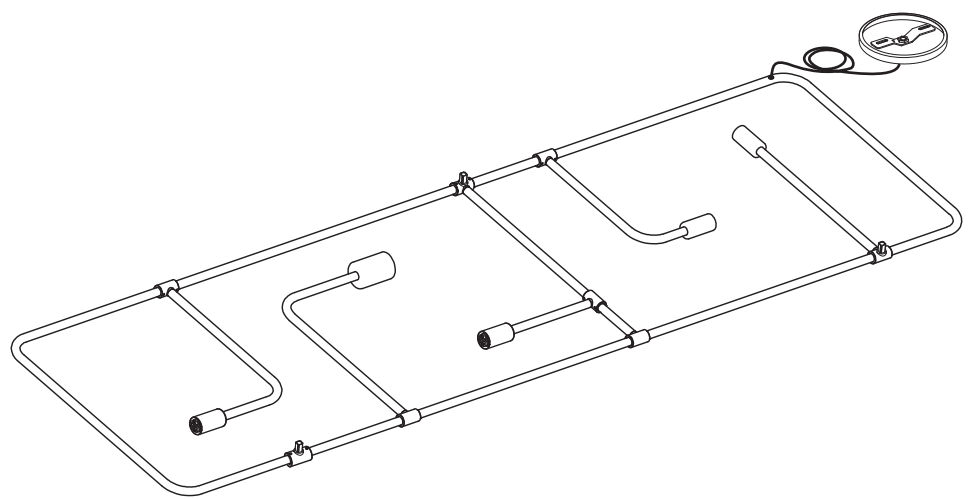


1



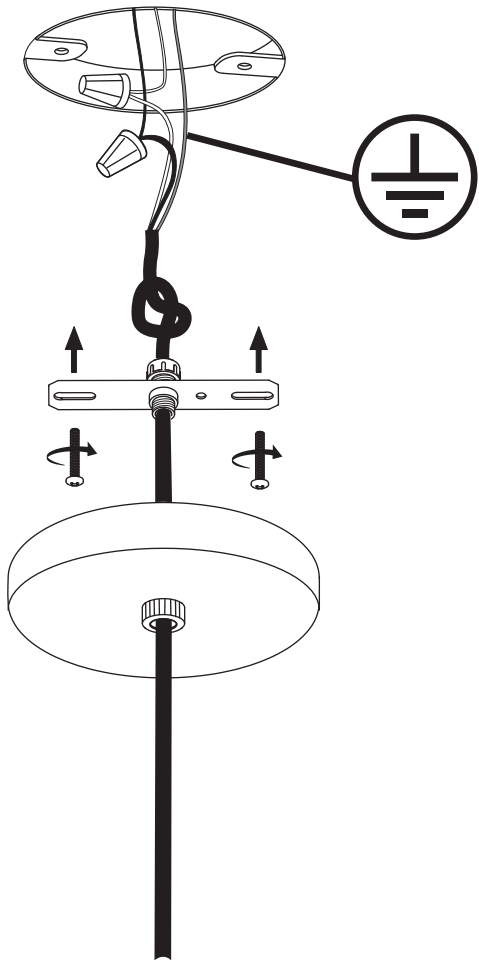
\* Use appropriate anchors

3

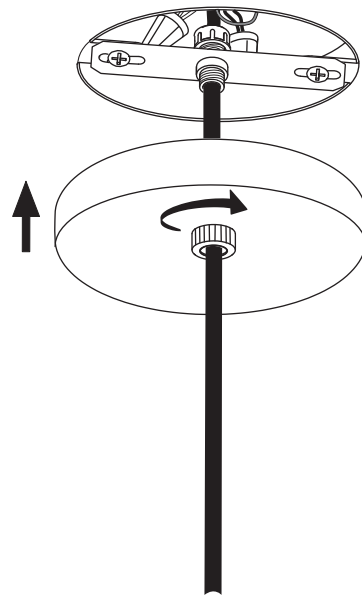


4

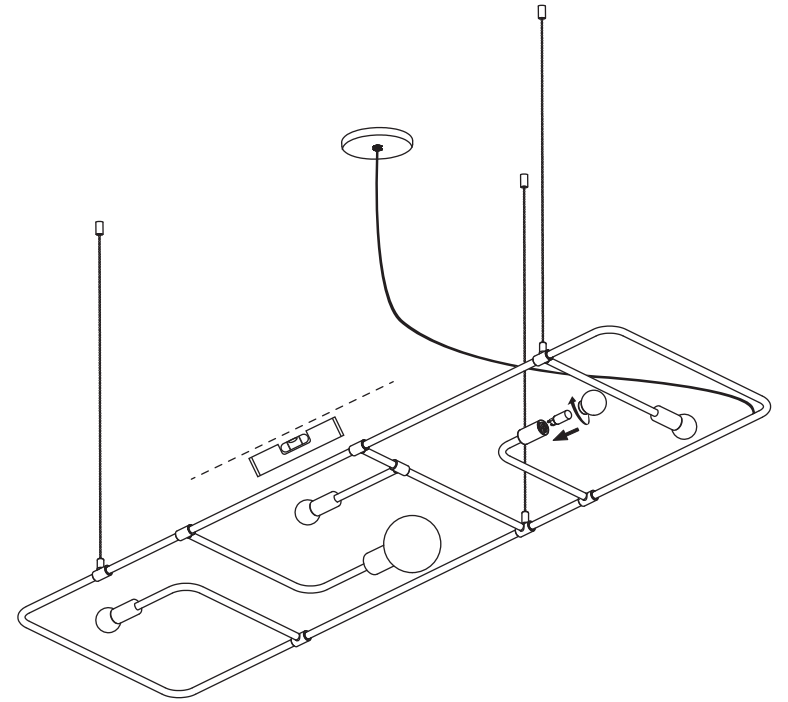




**5**



**6**



**7**