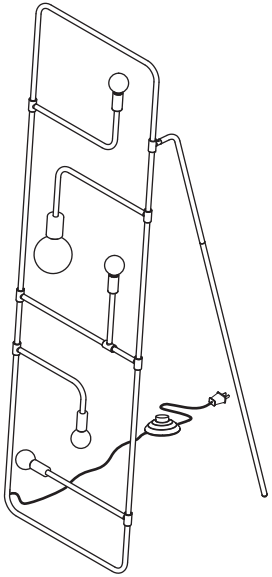


# BEAUBIEN FLOOR



1 x



4 x



3.5W

1 x



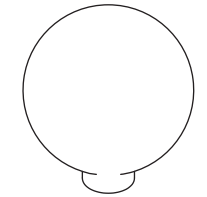
4.5W

4 x



G50

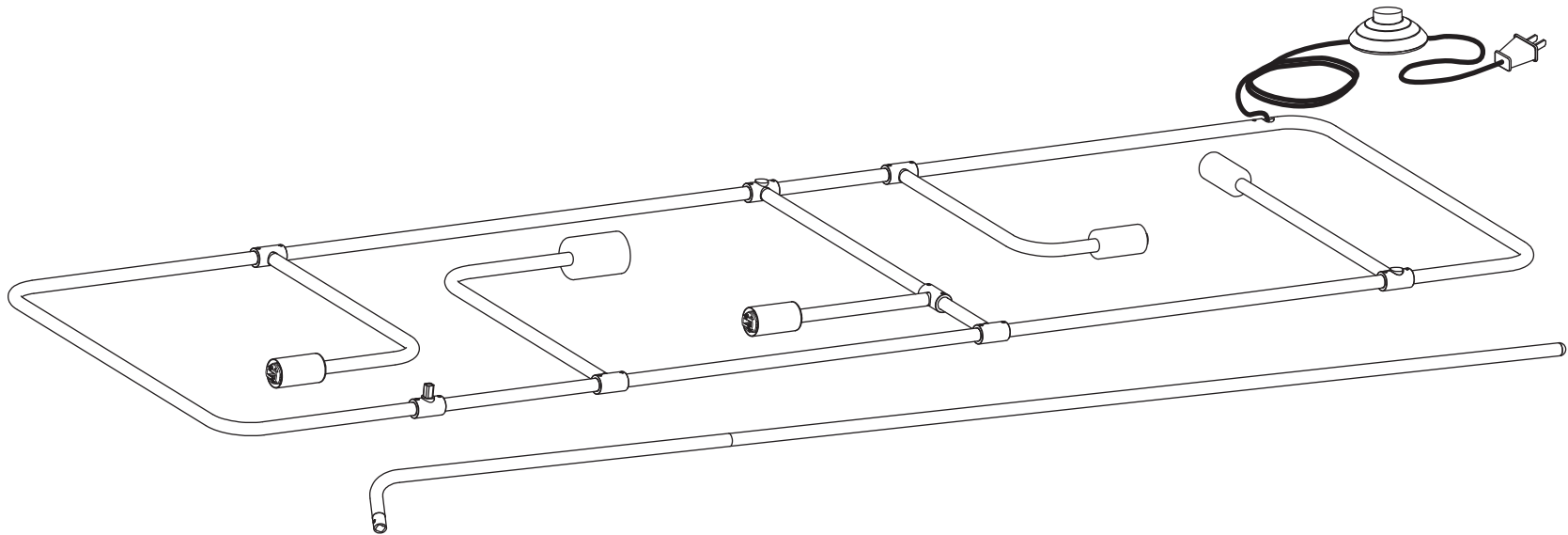
1 x

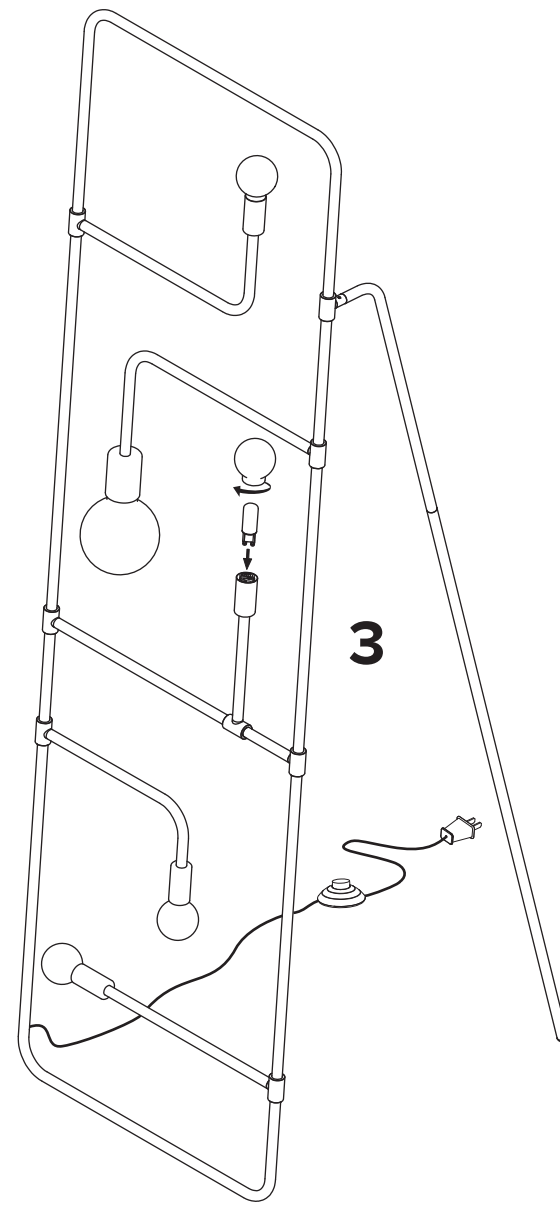
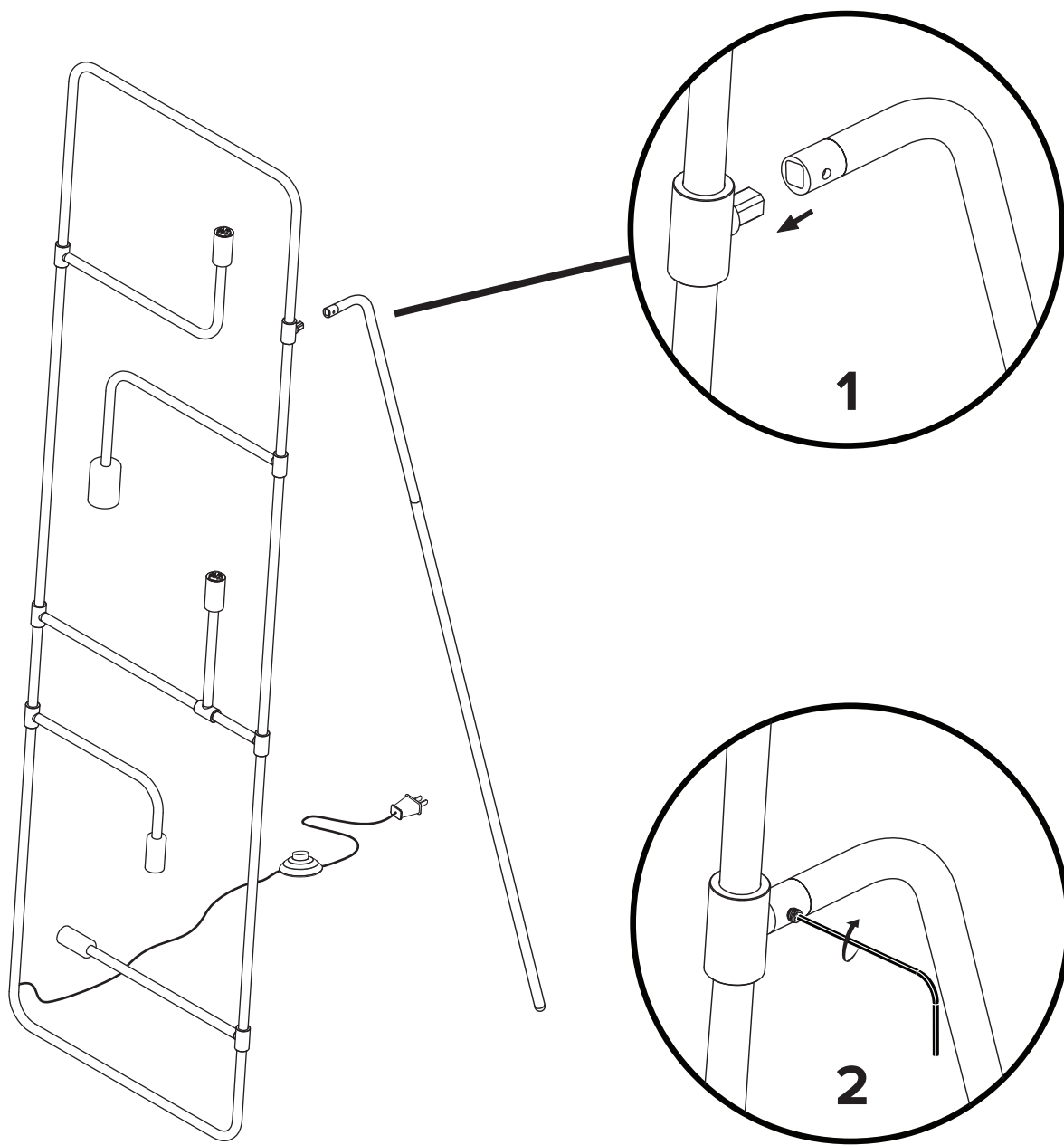


G80



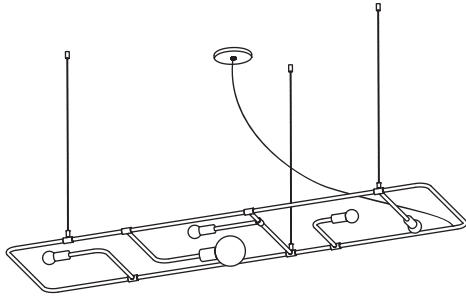
- Wear enclosed gloves when handling lamp
- Hold lamp by the frame
- Handle raw brass with care. Please consult lamp maintenance sheet on our web site







\* Screw gently, but firmly

# BEAUBIEN SUSPENSION

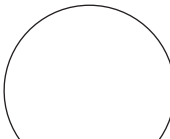


1 x 

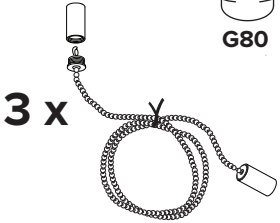
4 x   
3.5W

1 x   
4.5W

4 x   
G50

1 x   
G80

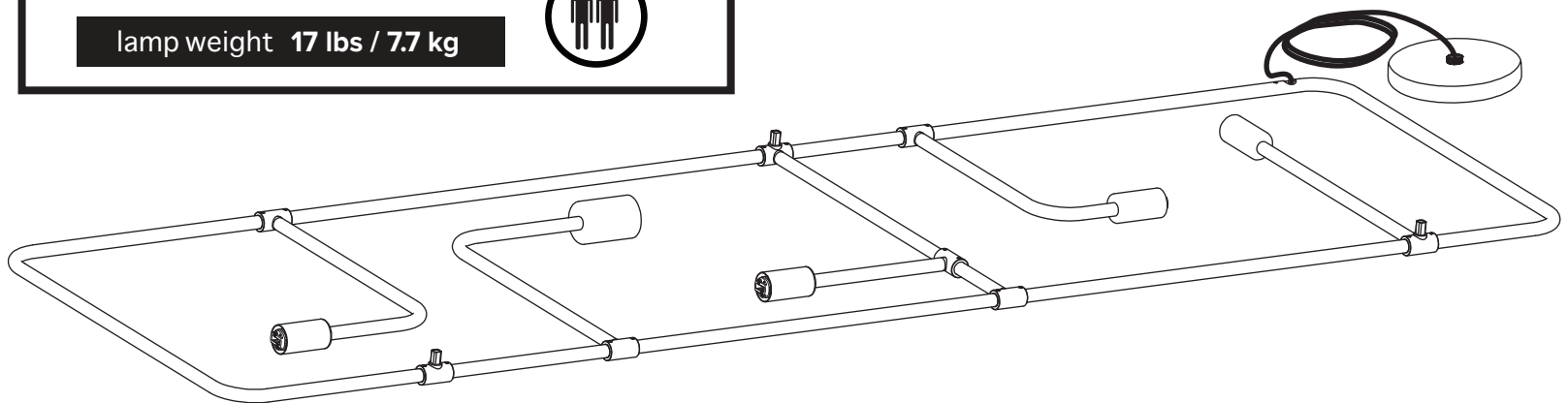
3 x 

3 x 

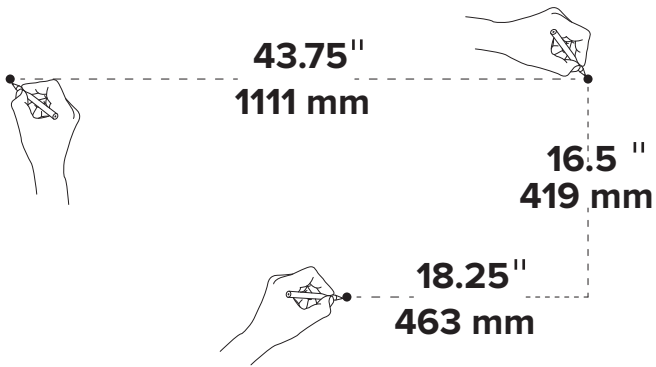


- To be installed by an electrician to an electrical box
- Use appropriate screws and anchors where necessary. Do not use the wall anchors for the ceiling position
- Wear enclosed gloves when handling lamp
- Hold lamp by the frame
- Handle materials with care. Please consult lamp maintenance sheet on our web site

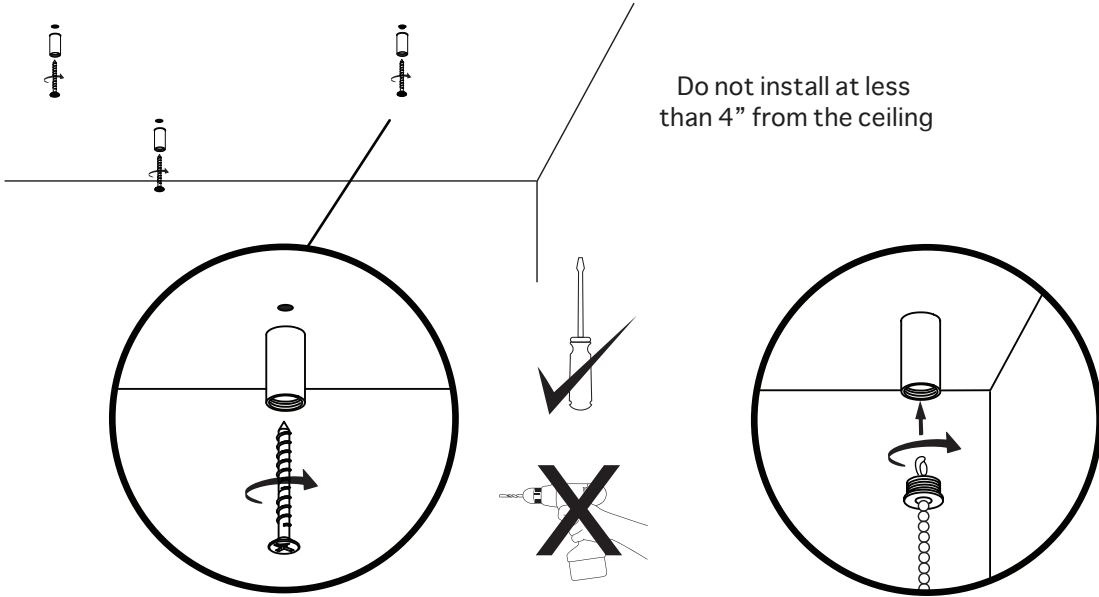
lamp weight 17 lbs / 7.7 kg



Do not install at less than 4" from the ceiling



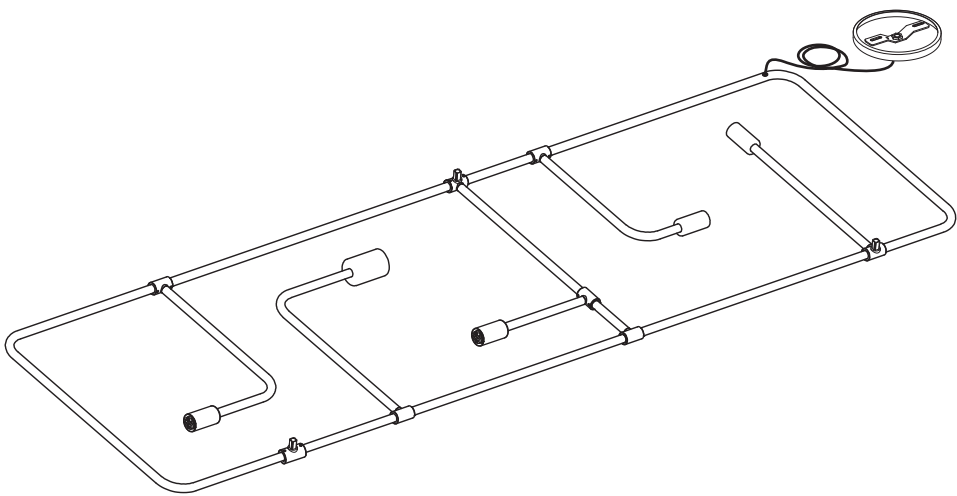
1



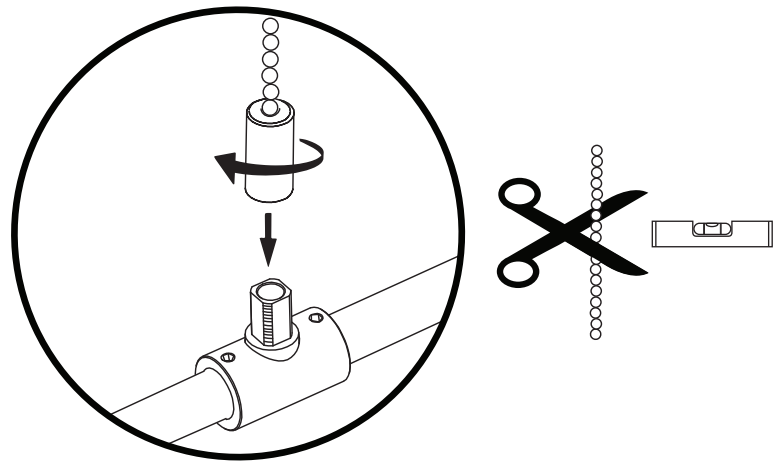
2

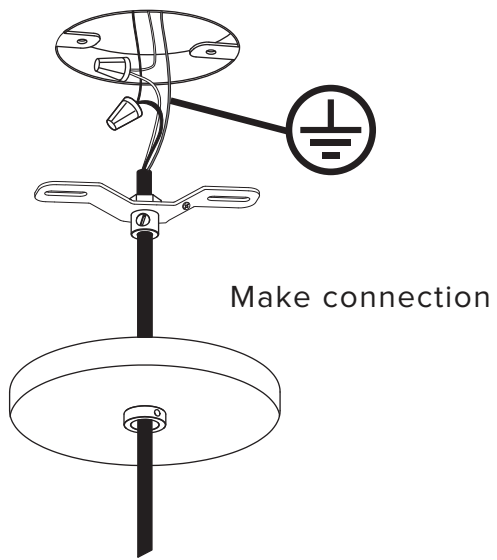
3

\* Use appropriate anchors  
Each anchor must be able to support  
43 lbs / 19 kg

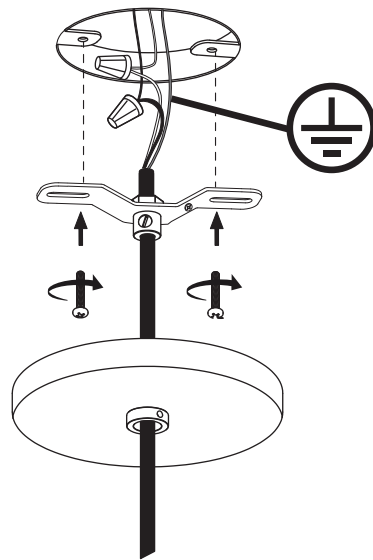


4

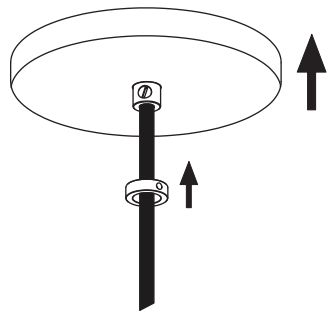




**5**

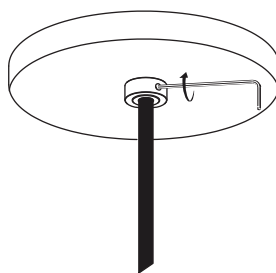


**6**

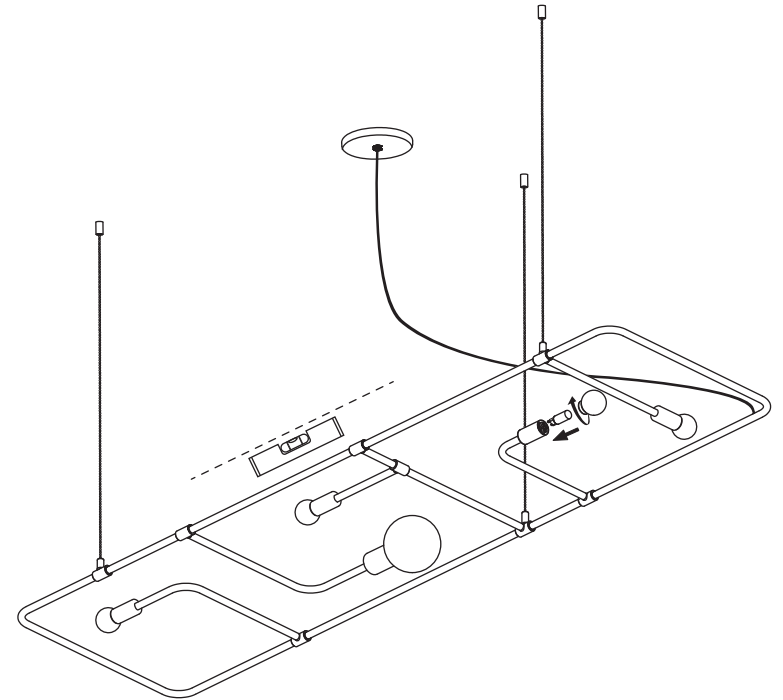


**7**

\* Screw gently, but firmly




**8**




**9**

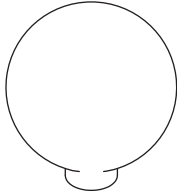
# BEAUBIEN WALL


1 x 

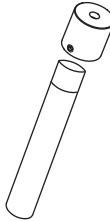
4 x   
3.5W

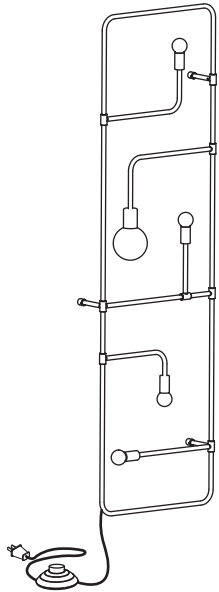
1 x   
4.5W

4 x   
G50

1 x   
G80

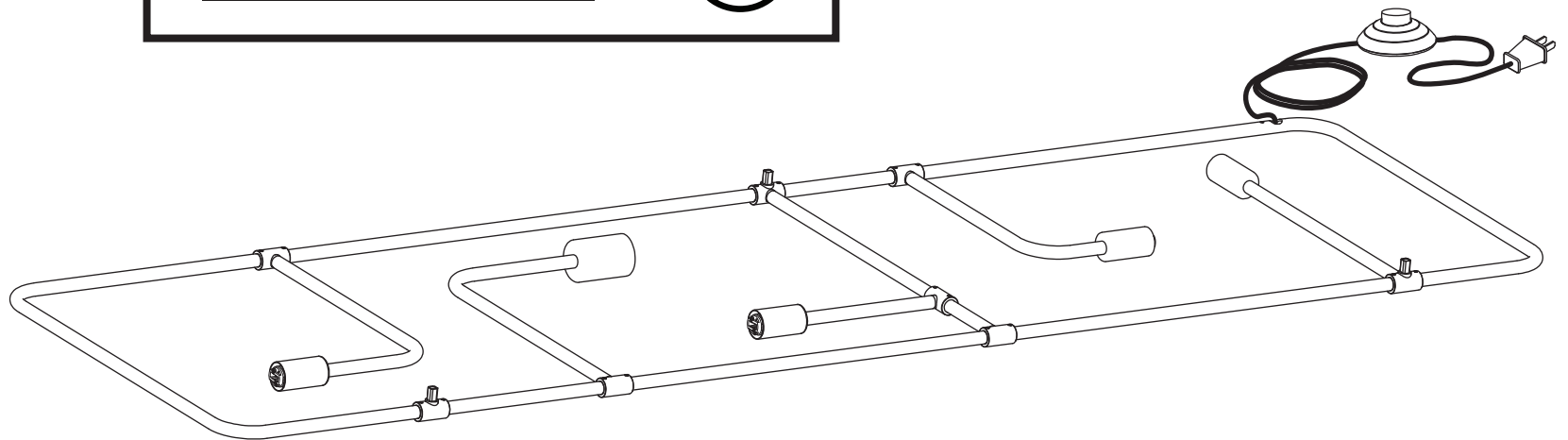
3 x 

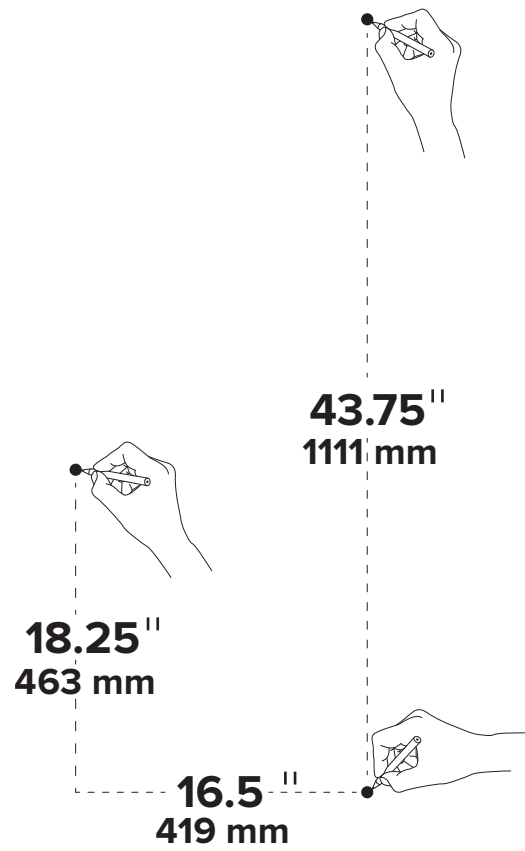
3 x 



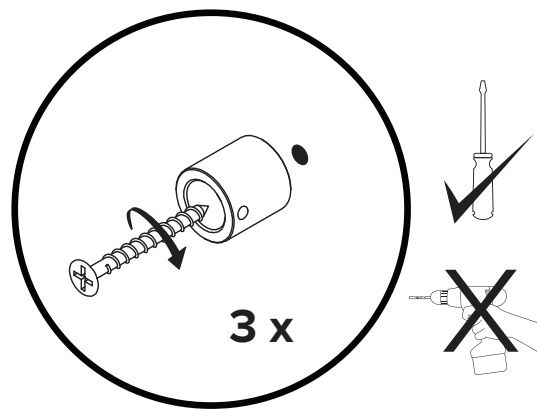
- Use appropriate screws and anchors where necessary
- Wear enclosed gloves when handling lamp
- Hold lamp by the frame
- Handle raw brass with care. Please consult lamp maintenance sheet on our web site
- Wall mount only

lamp weight **17 lbs / 7.7 kg**

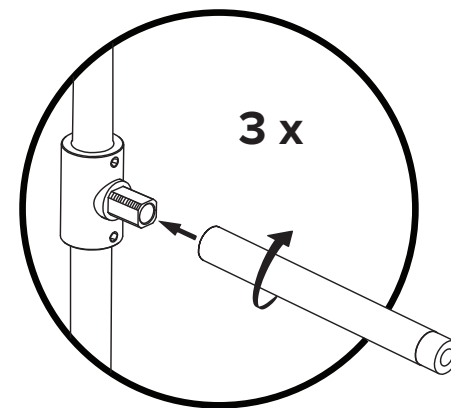




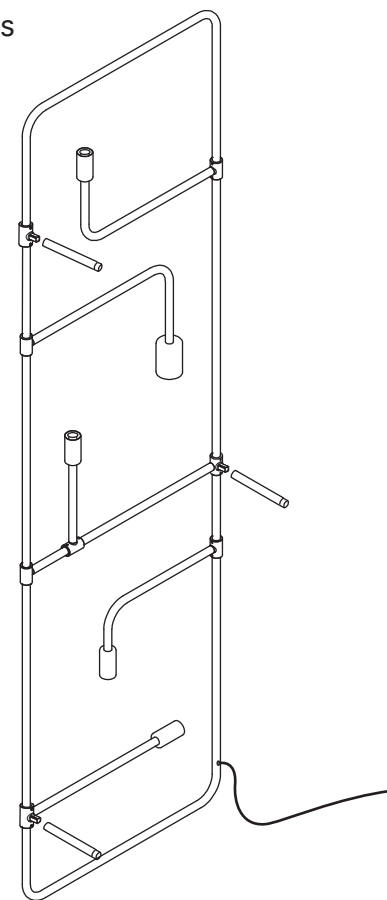
1



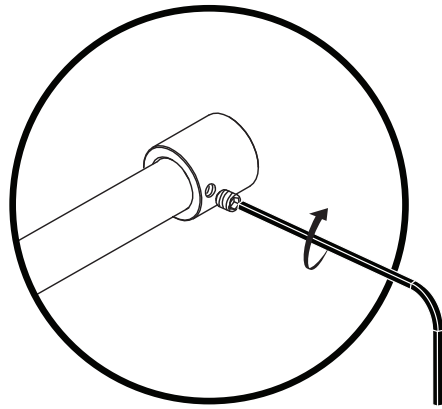
\* Use appropriate anchors



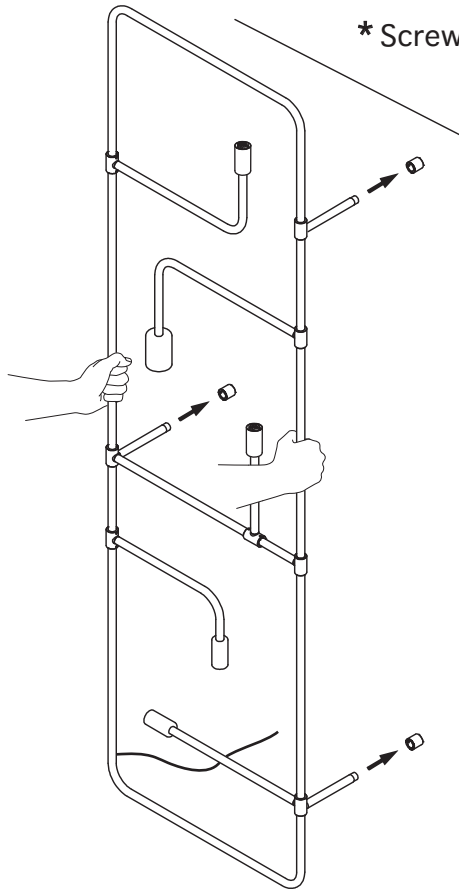
2



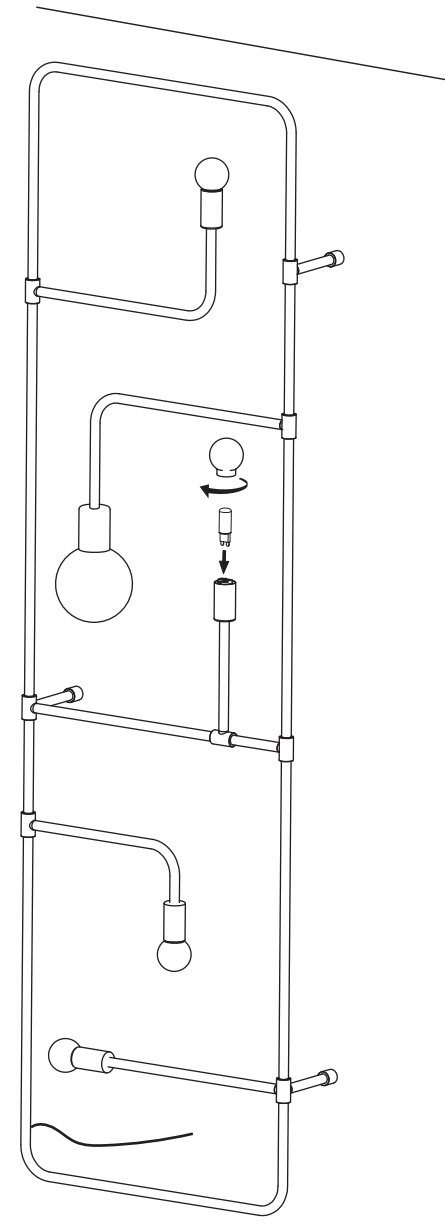
3



\* Screw gently, but firmly



**4**





**5**



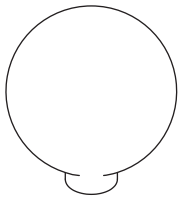
# BEAUBIEN WALL


1 x 

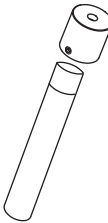
4 x   
3.5W

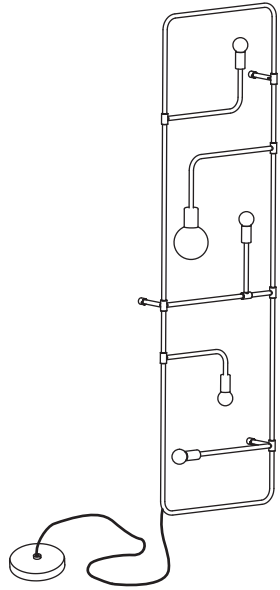
1 x   
4.5W

4 x   
G50

1 x   
G80

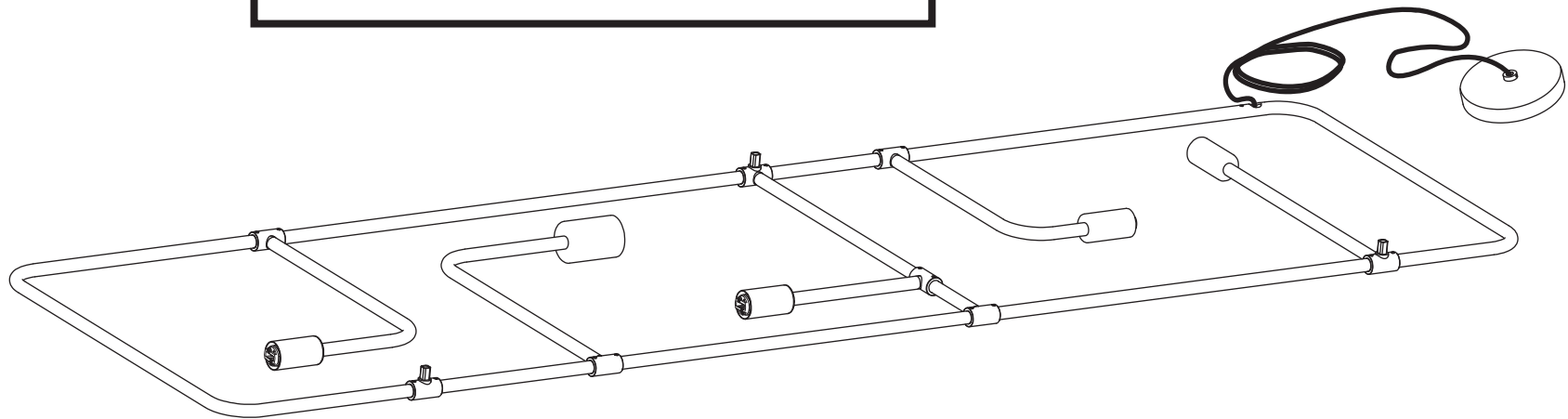
3 x 

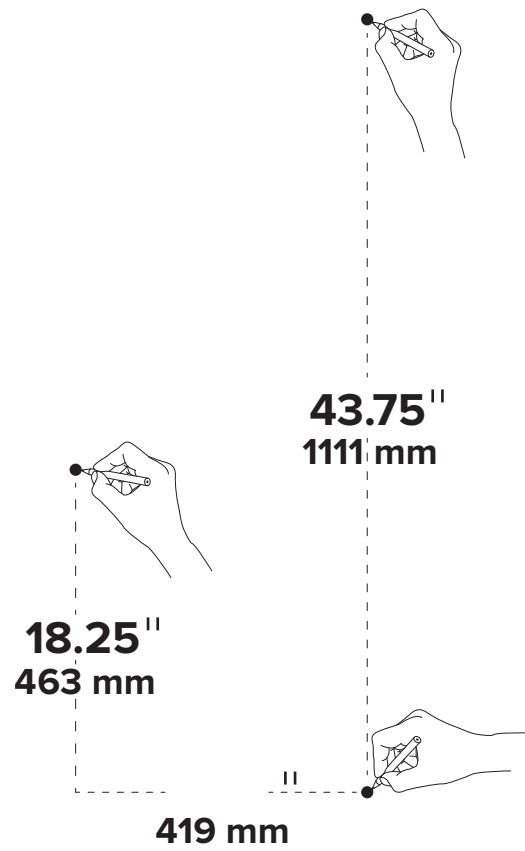
3 x 



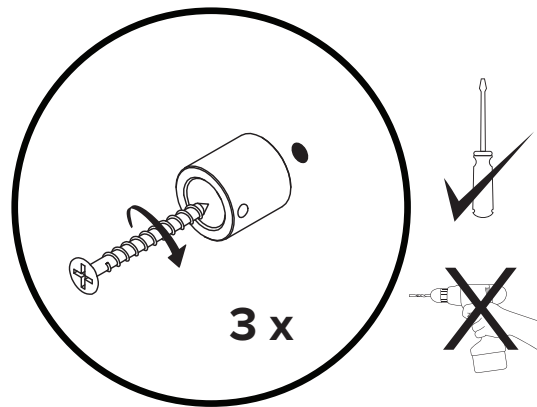
- Use appropriate screws and anchors where necessary
- Wear enclosed gloves when handling lamp
- Hold lamp by the frame
- Handle raw brass with care. Please consult lamp maintenance sheet on our web site
- Wall mount only

lamp weight **17 lbs / 7.7 kg**

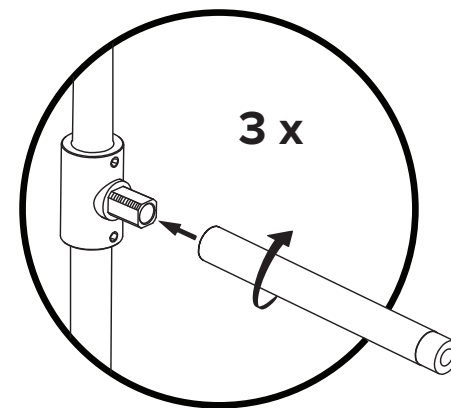




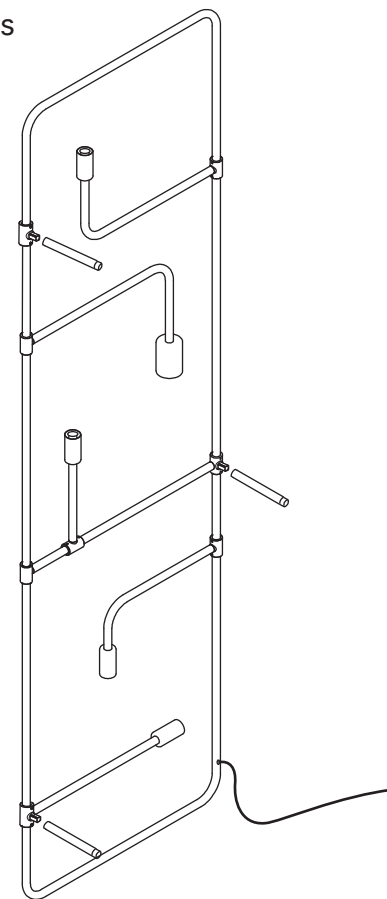
1



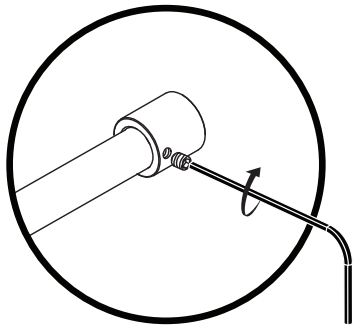
\* Use appropriate anchors



2



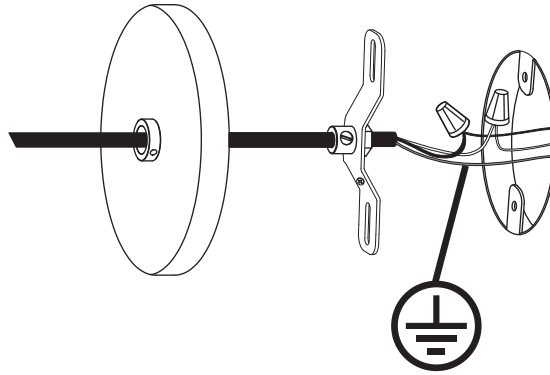
3



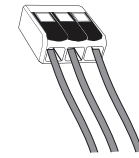
**4**

\* Screw gently, but firmly

**5**



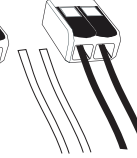
Make connection



green

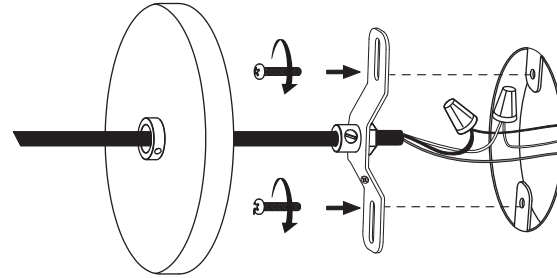


white  
(neutral)

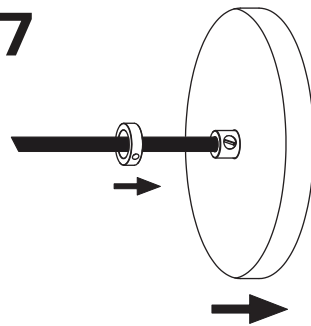


black  
(live)

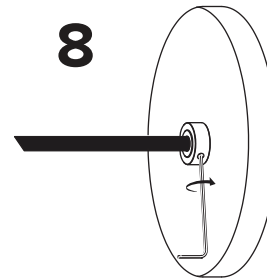
**6**



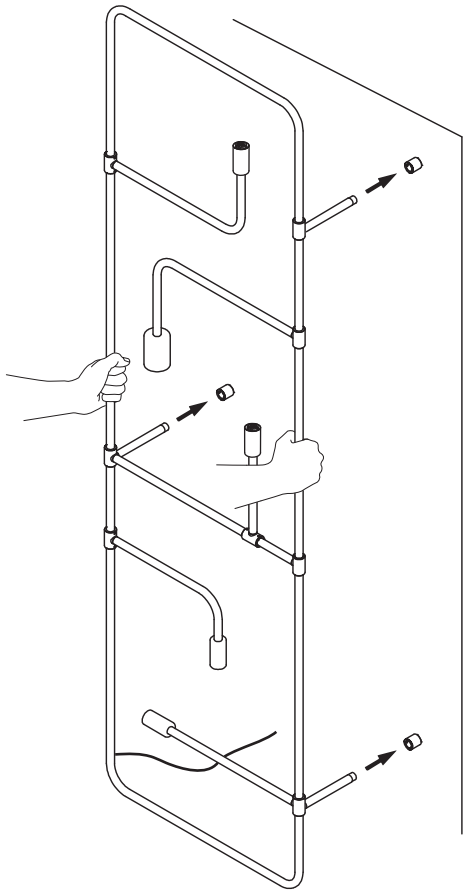
**7**



**8**



\* Screw gently, but firmly



**9**

