

BEAUBIEN FLOOR

1 x



4 x



3.5W

1 x



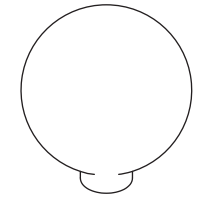
4.5W

4 x

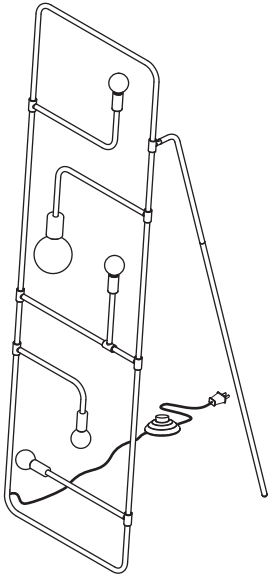


G50

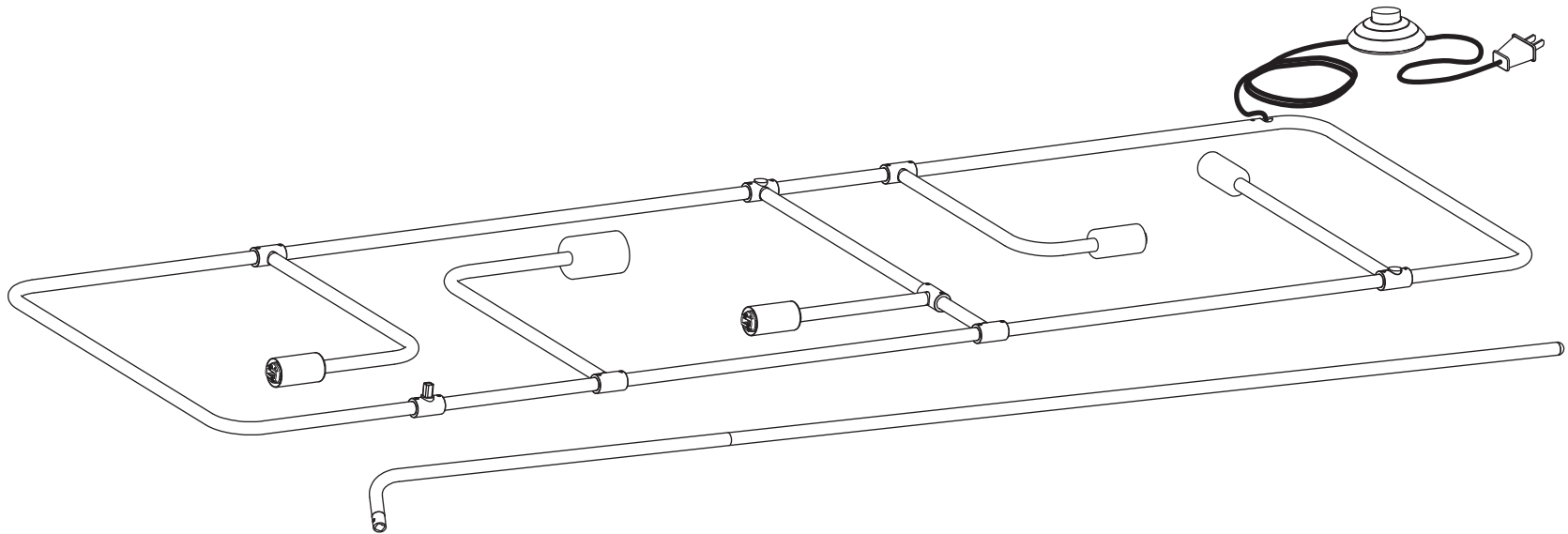
1 x

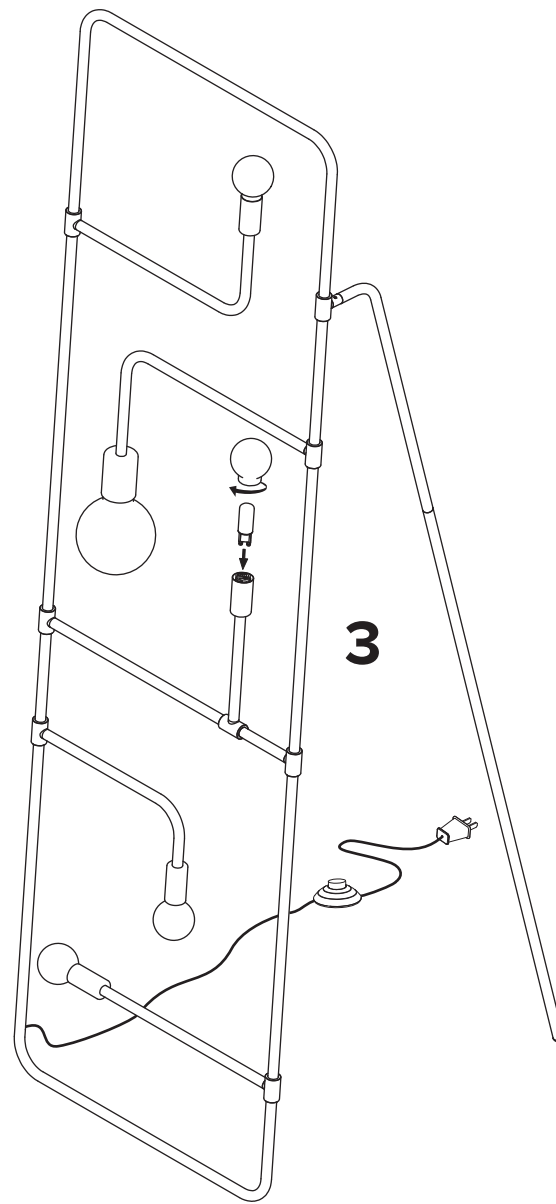
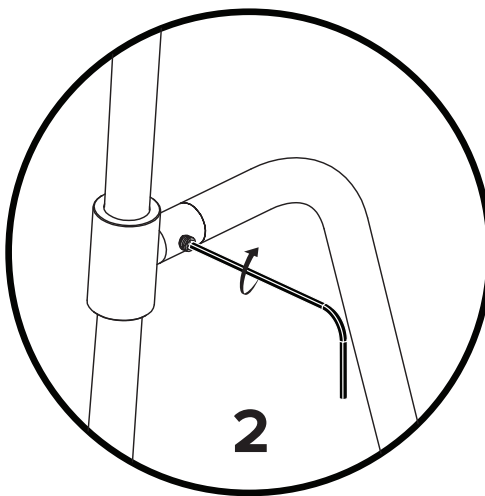
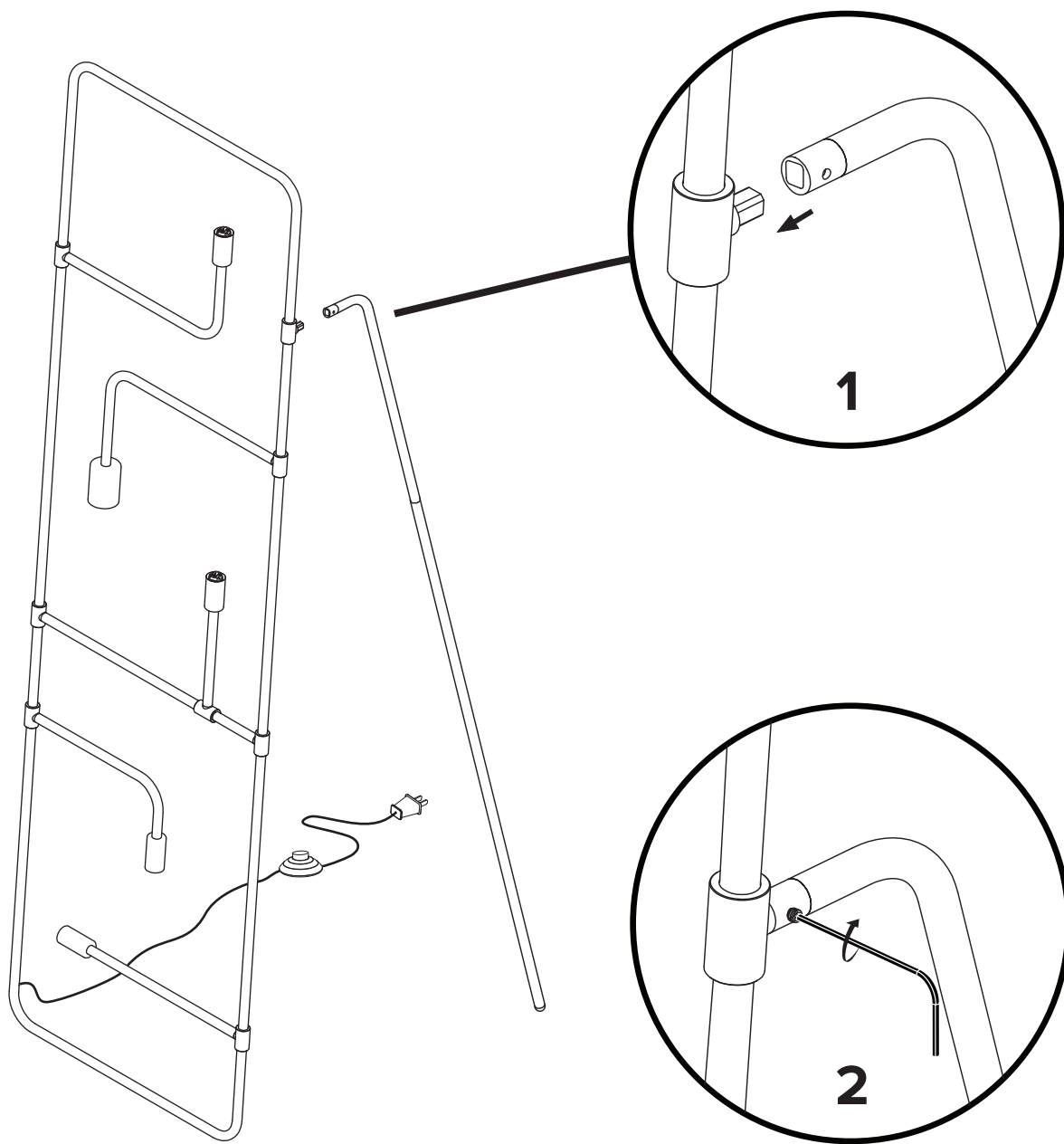


G80



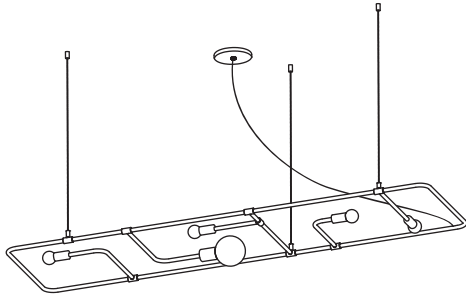
- Wear enclosed gloves when handling lamp
- Hold lamp by the frame
- Handle raw brass with care. Please consult lamp maintenance sheet on our web site







* Screw gently, but firmly

BEAUBIEN SUSPENSION

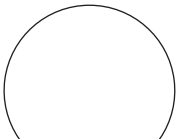


1 x 

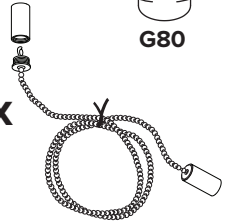
4 x 
3.5W

1 x 
4.5W

4 x 
G50

1 x 
G80

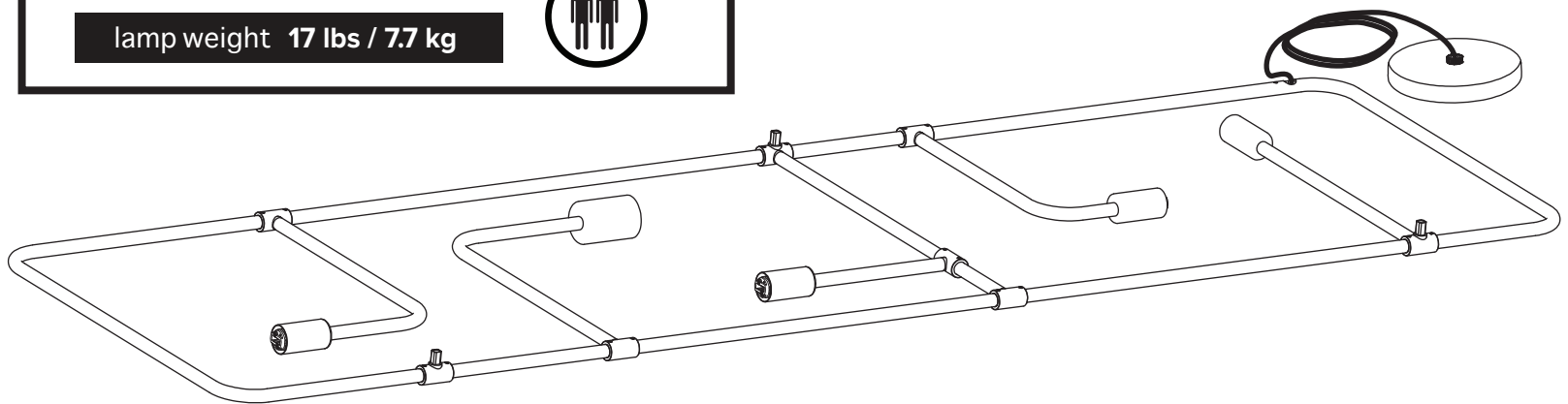
3 x 

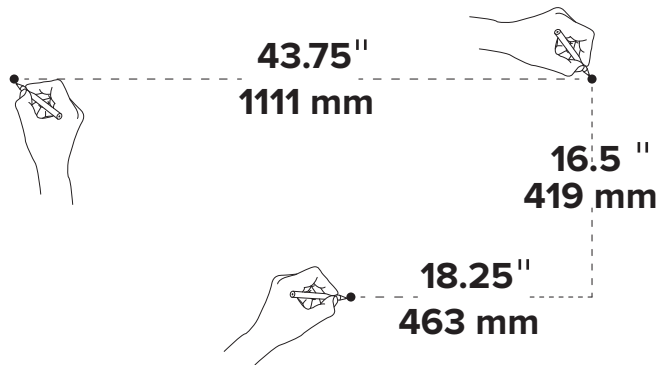
3 x 



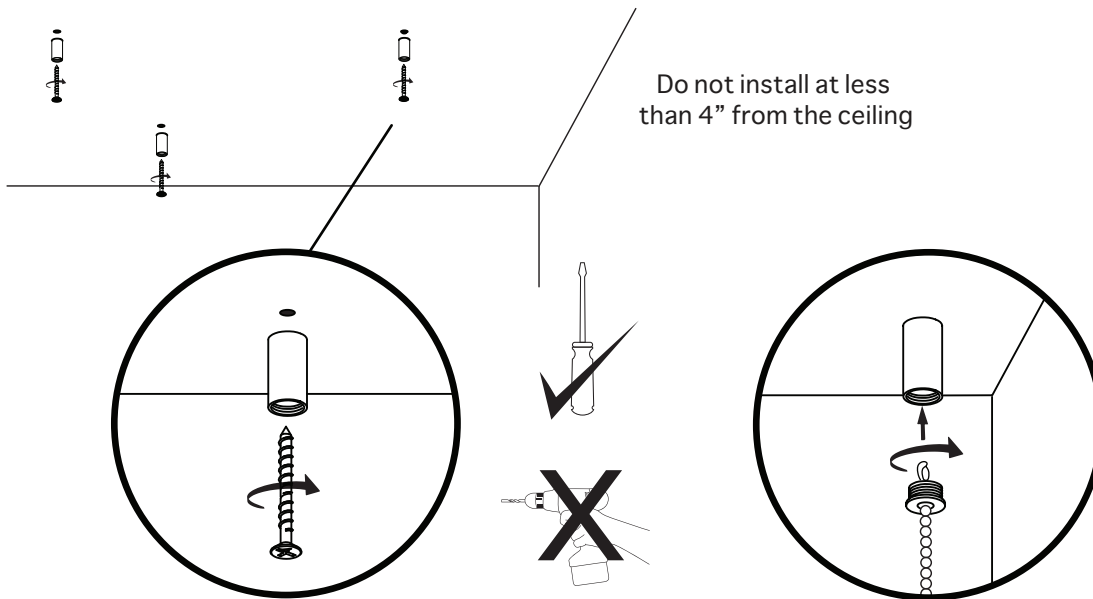
- To be installed by an electrician to an electrical box
- Use appropriate screws and anchors where necessary. Do not use the wall anchors for the ceiling position
- Wear enclosed gloves when handling lamp
- Hold lamp by the frame
- Handle materials with care. Please consult lamp maintenance sheet on our web site

lamp weight 17 lbs / 7.7 kg





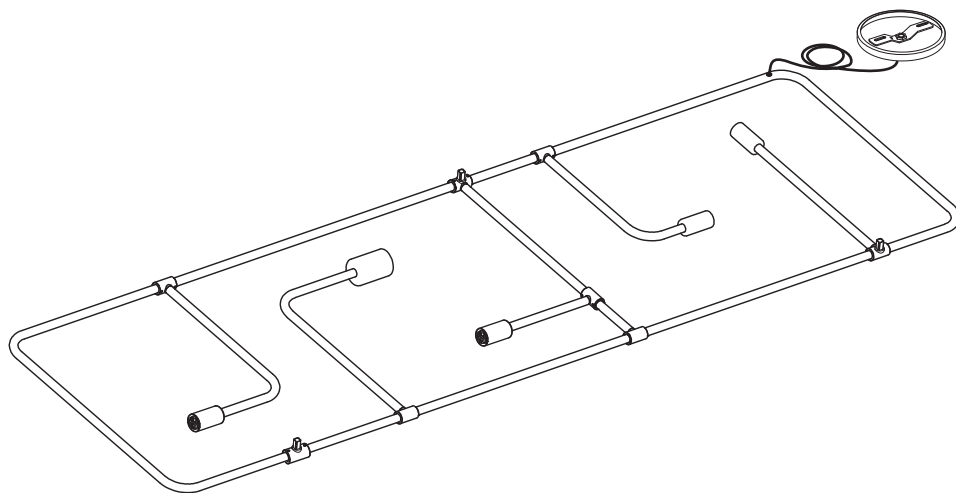
1



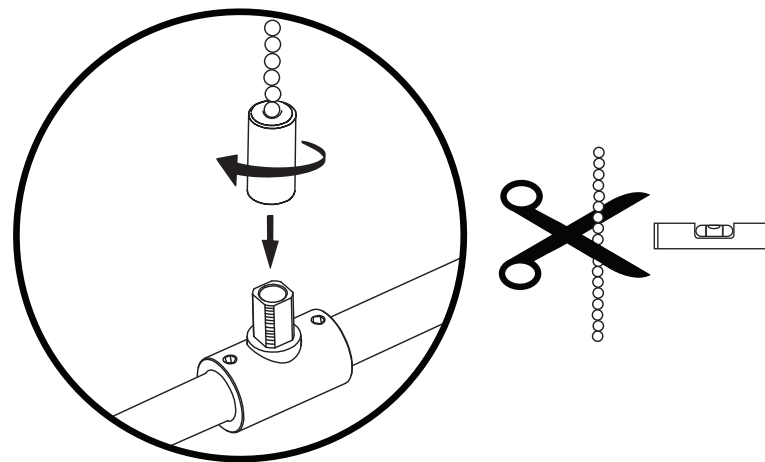
2

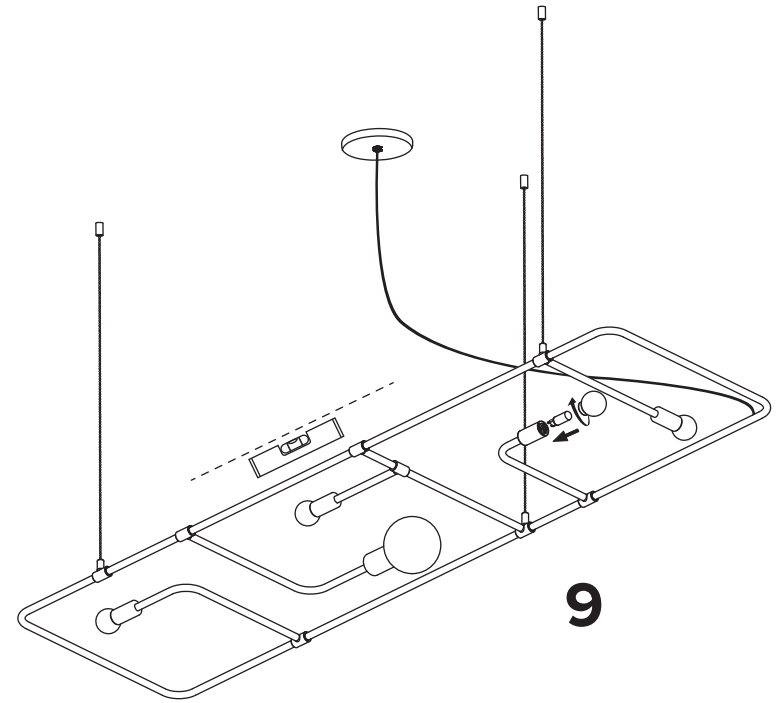
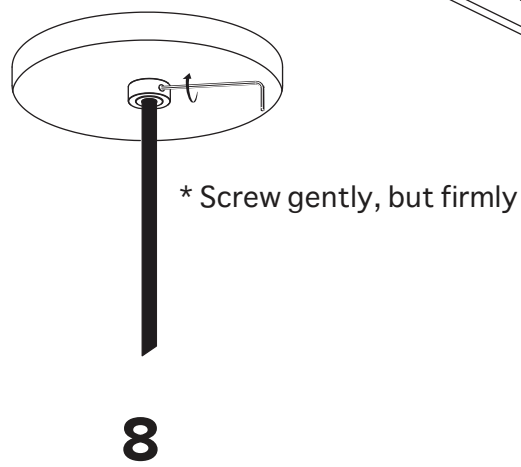
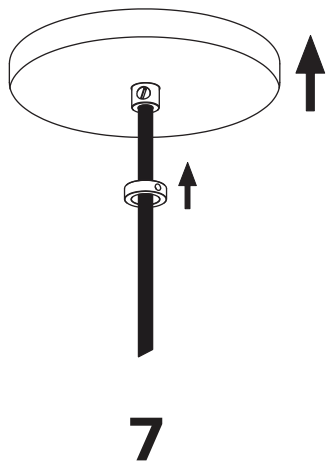
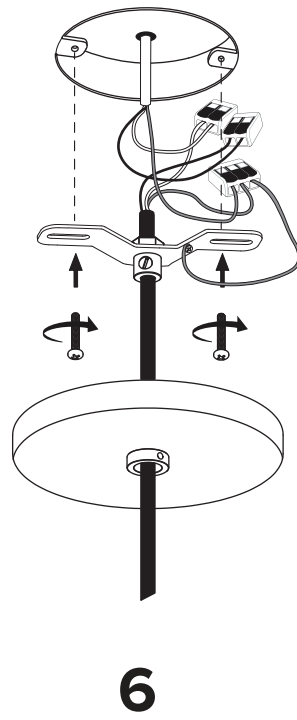
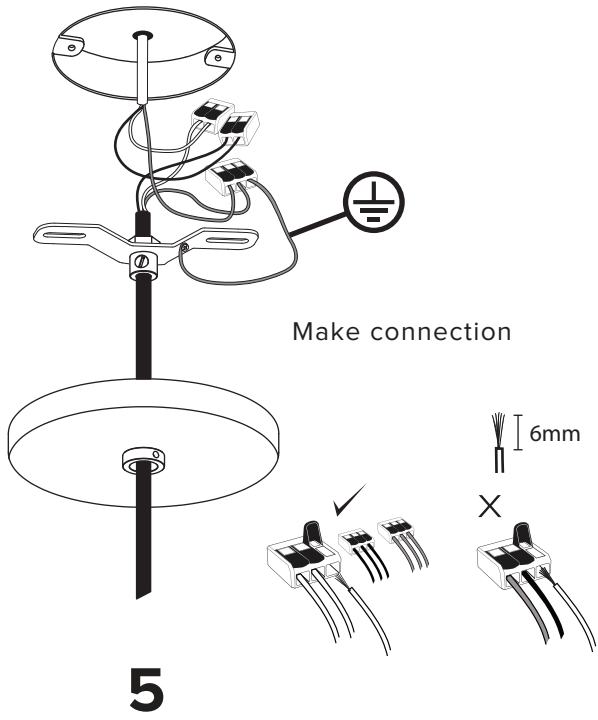
* Use appropriate anchors
Each anchor must be able to support 43 lbs / 19 kg

3

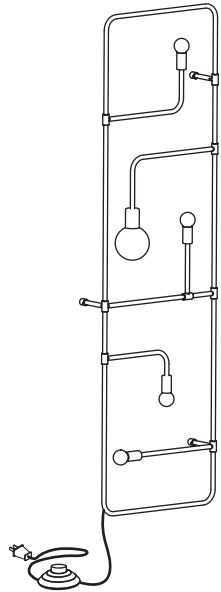


4







BEAUBIEN WALL

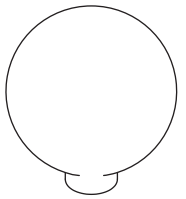


1 x 

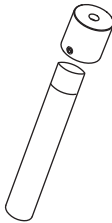
4 x 
3.5W

1 x 
4.5W

4 x 
G50

1 x 
G80

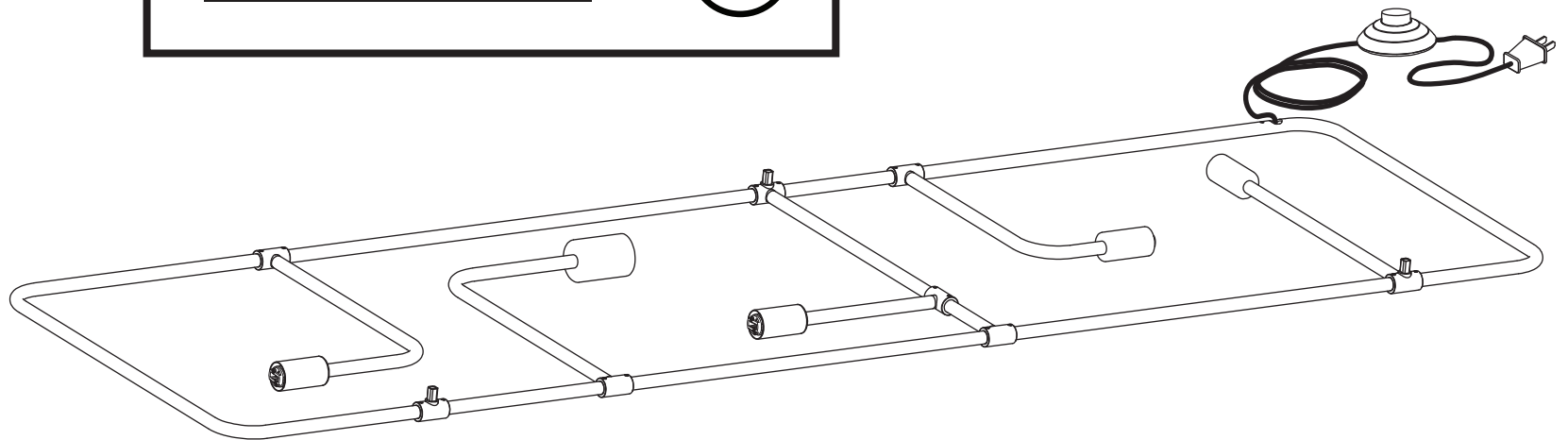
3 x 

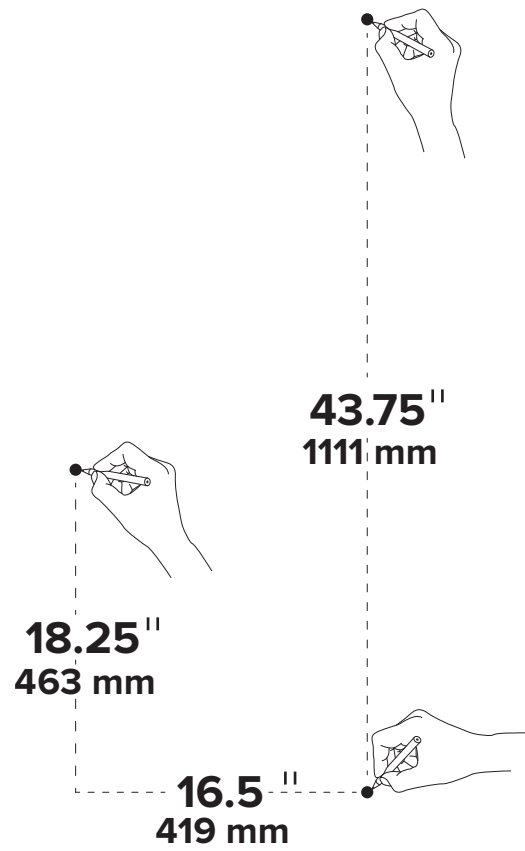
3 x 



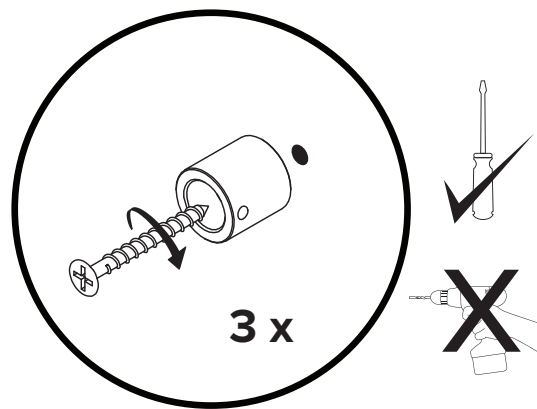
- Use appropriate screws and anchors where necessary
- Wear enclosed gloves when handling lamp
- Hold lamp by the frame
- Handle raw brass with care. Please consult lamp maintenance sheet on our web site
- Wall mount only

lamp weight **17 lbs / 7.7 kg**

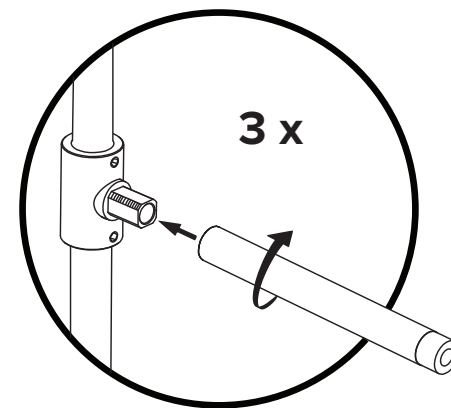




1

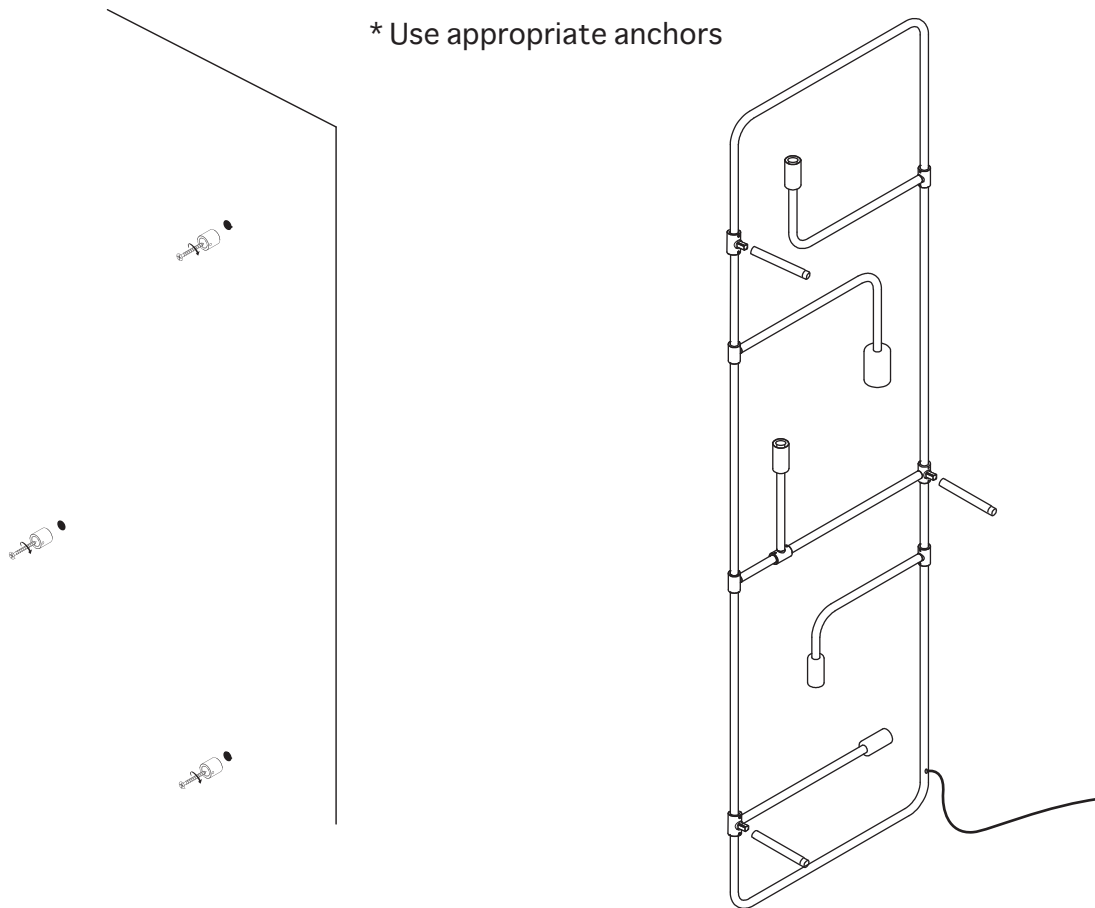


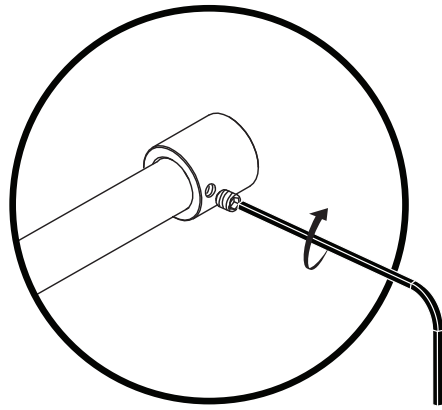
* Use appropriate anchors



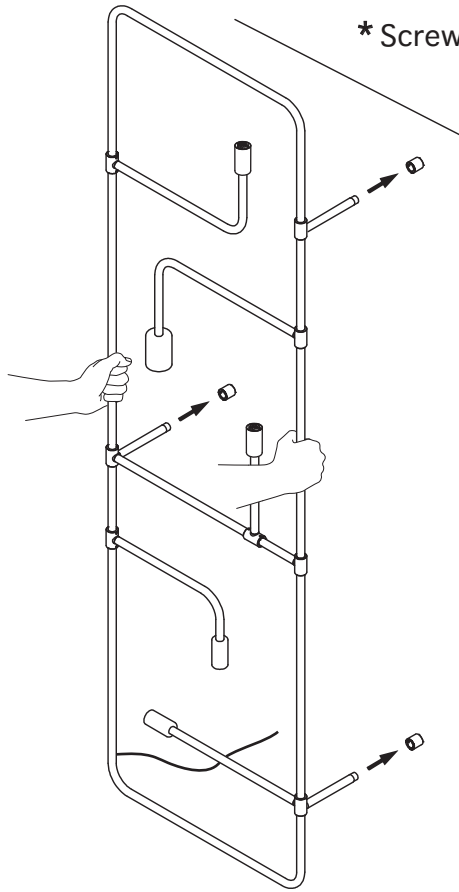
2

3

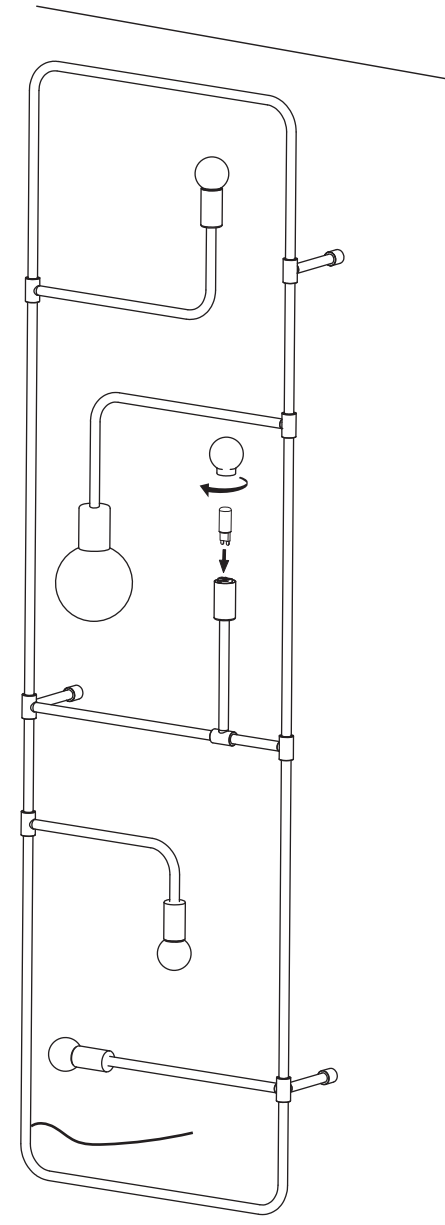




* Screw gently, but firmly




4




5

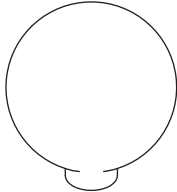
BEAUBIEN WALL

1 x 

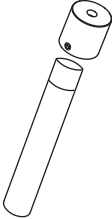
4 x 
3.5W

1 x 
4.5W

4 x 
G50

1 x 
G80

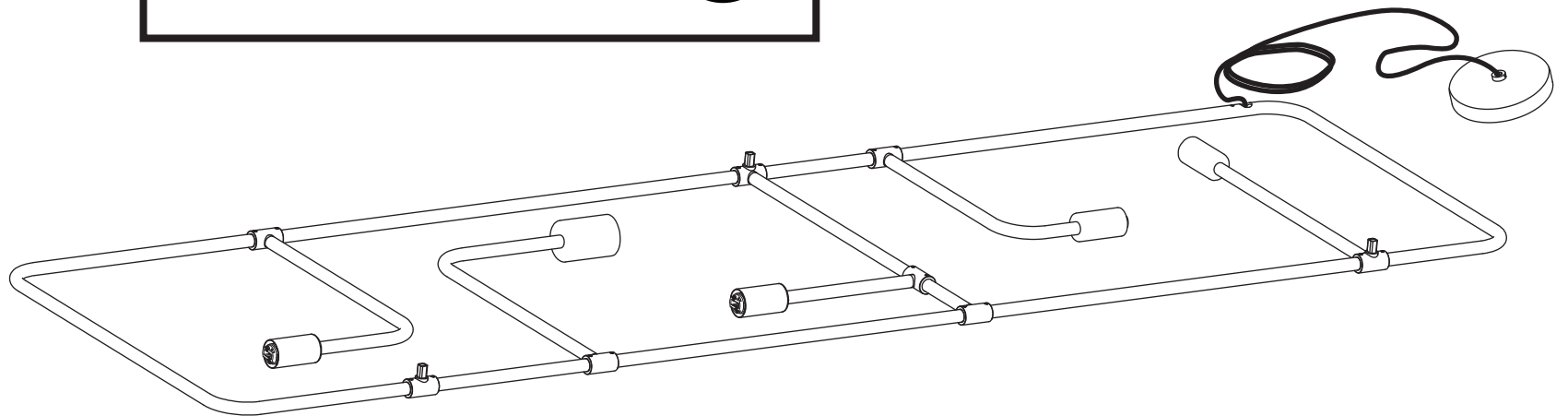
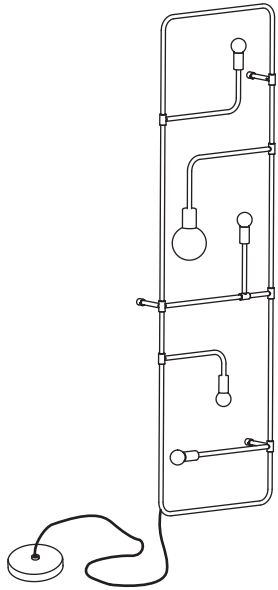
3 x 

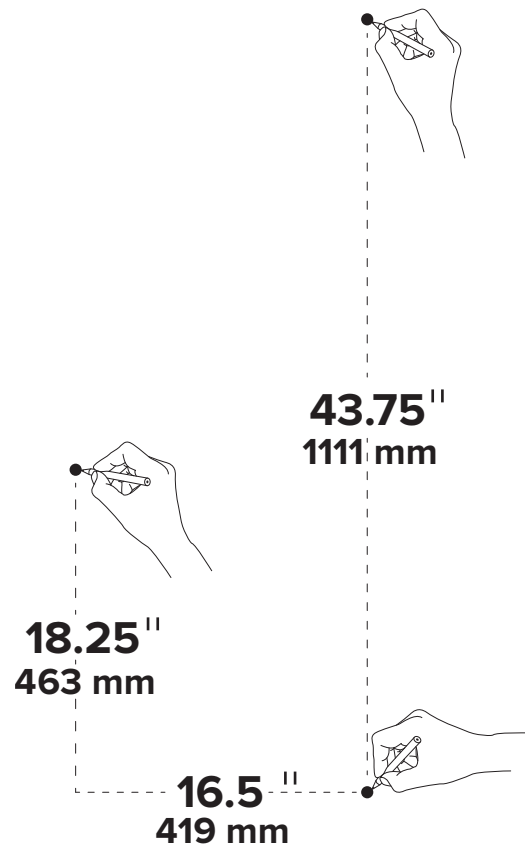
3 x 



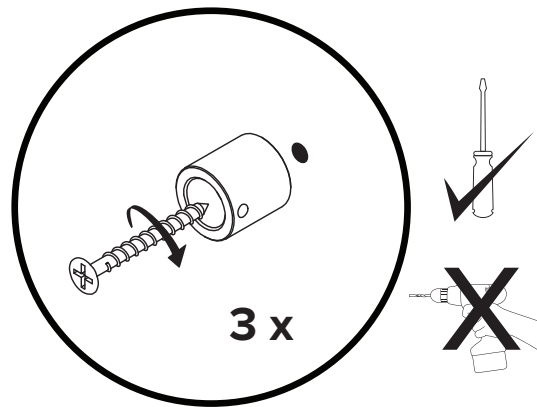
- Use appropriate screws and anchors where necessary
- Wear enclosed gloves when handling lamp
- Hold lamp by the frame
- Handle raw brass with care. Please consult lamp maintenance sheet on our web site
- Wall mount only

lamp weight **17 lbs / 7.7 kg**

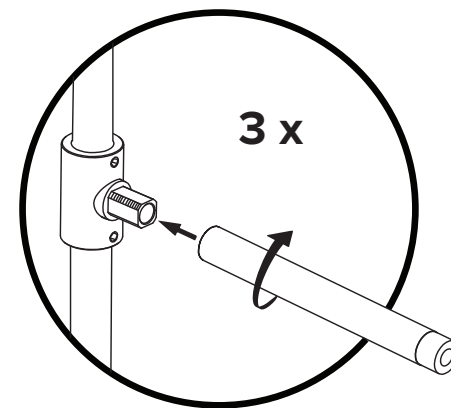




1

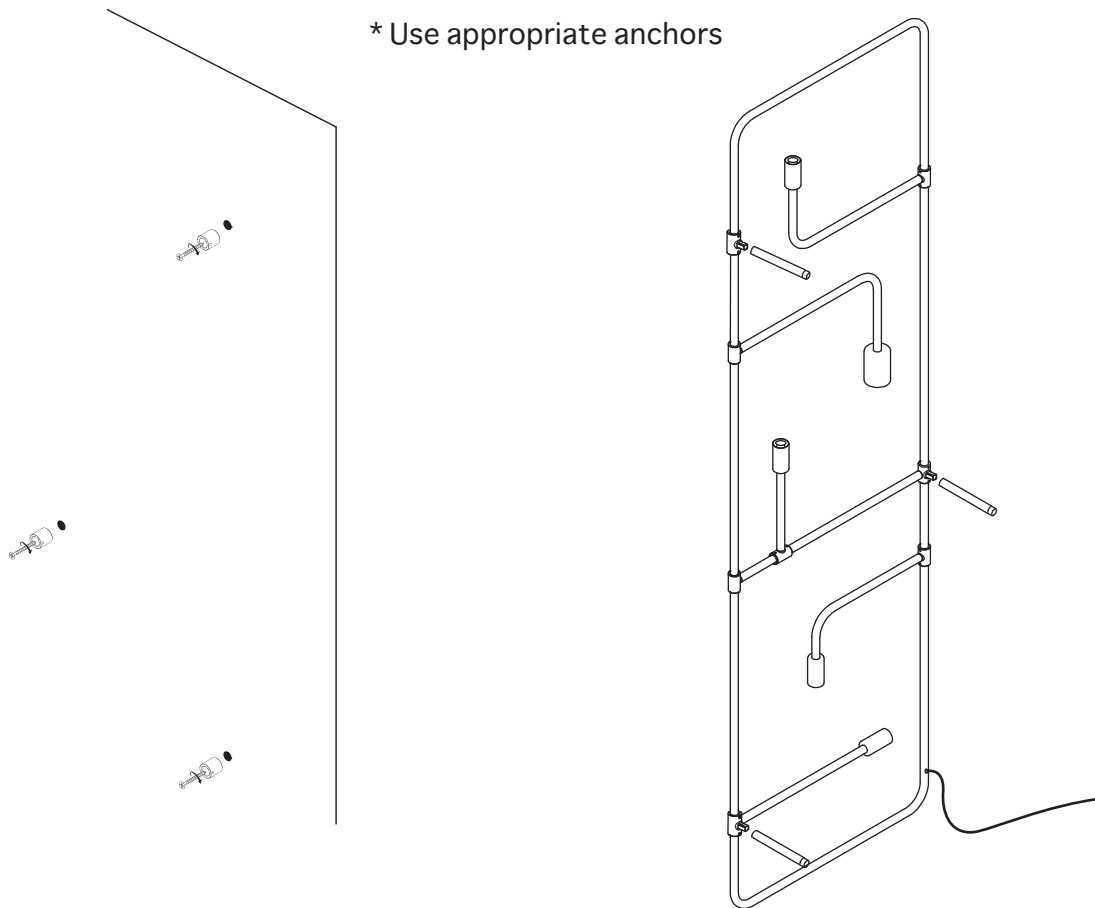


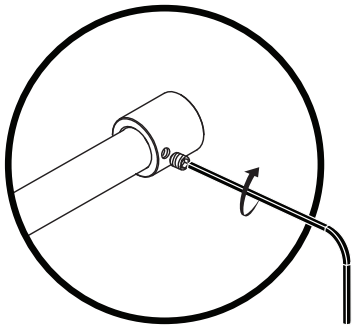
* Use appropriate anchors



2

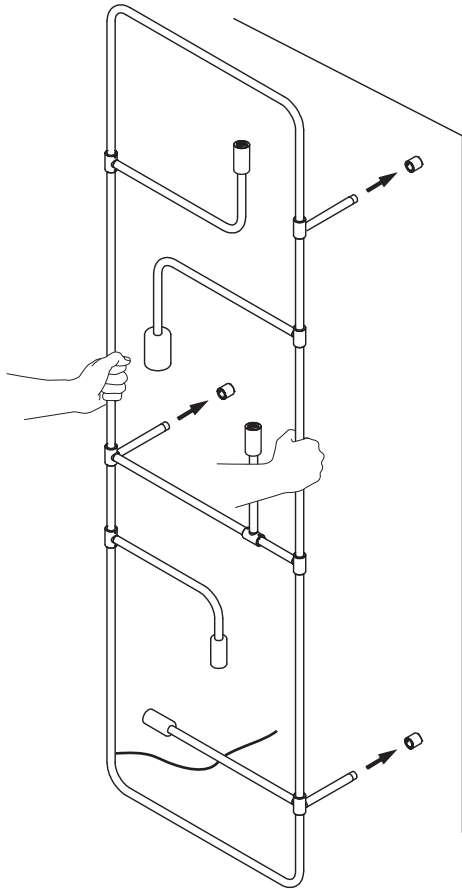
3



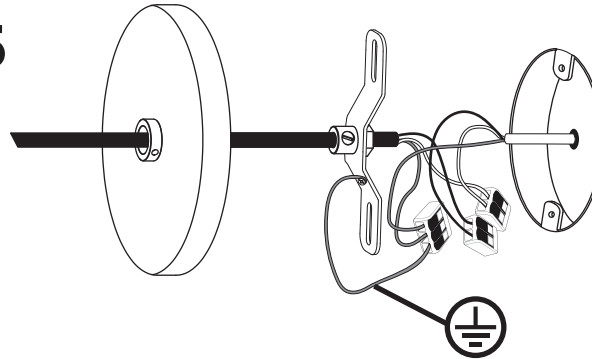


4

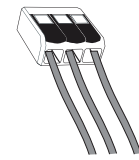
* Screw gently, but firmly



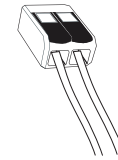
5



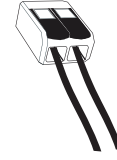
Make connection  6mm



green/yellow

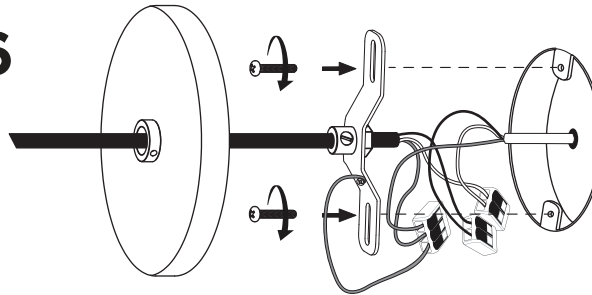


blue
(neutral)

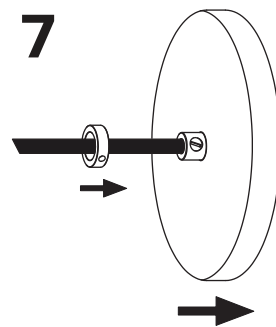


brown
(live)

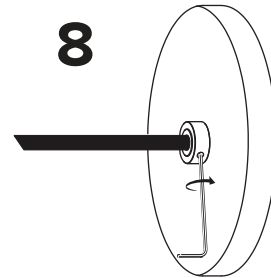
6



7



8



* Screw gently, but firmly

9

