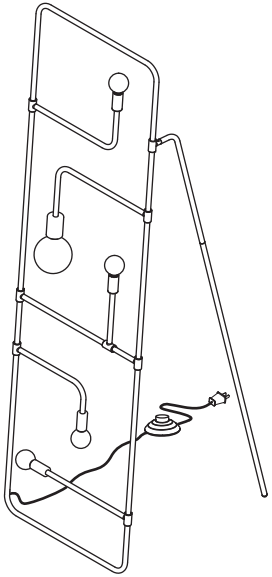


BEAUBIEN FLOOR



1 x



4 x



3.5W

1 x



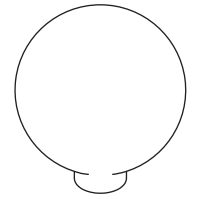
4.5W

4 x



G50

1 x



G80

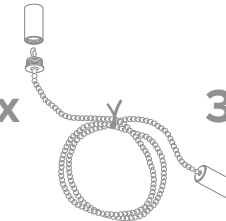


- Wear enclosed gloves when handling lamp
- Hold lamp by the frame
- Handle raw brass with care. Please consult lamp maintenance sheet on our web site

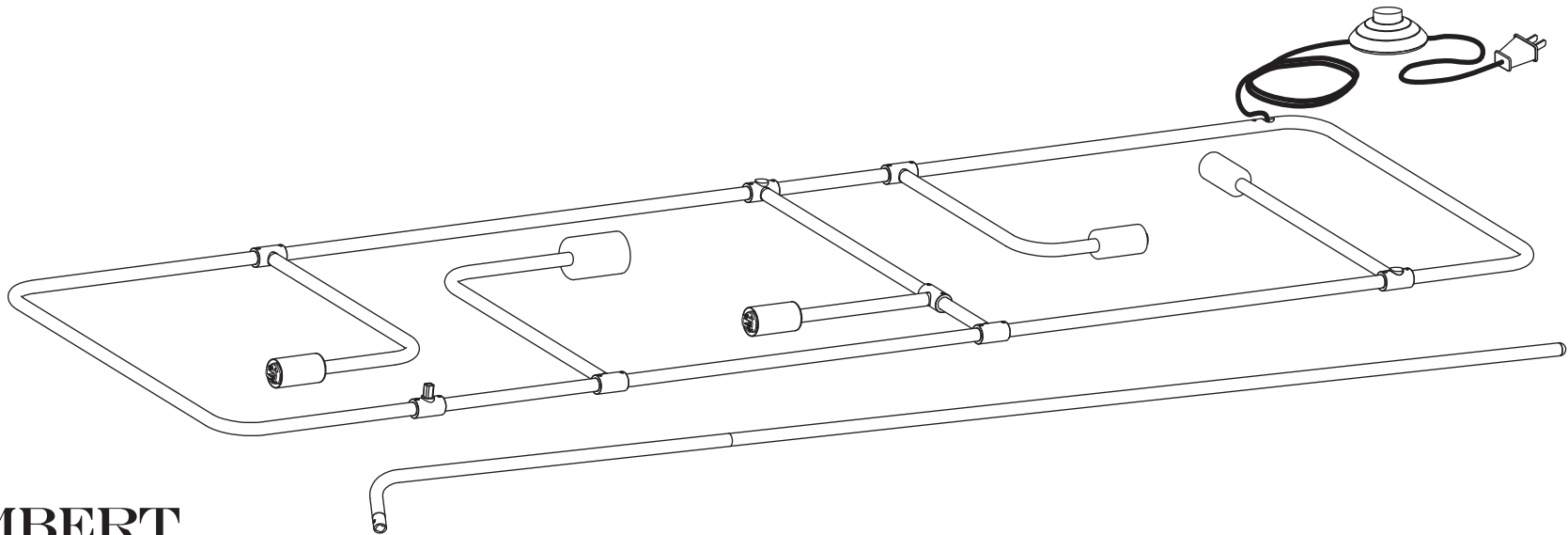
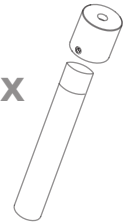
3 x

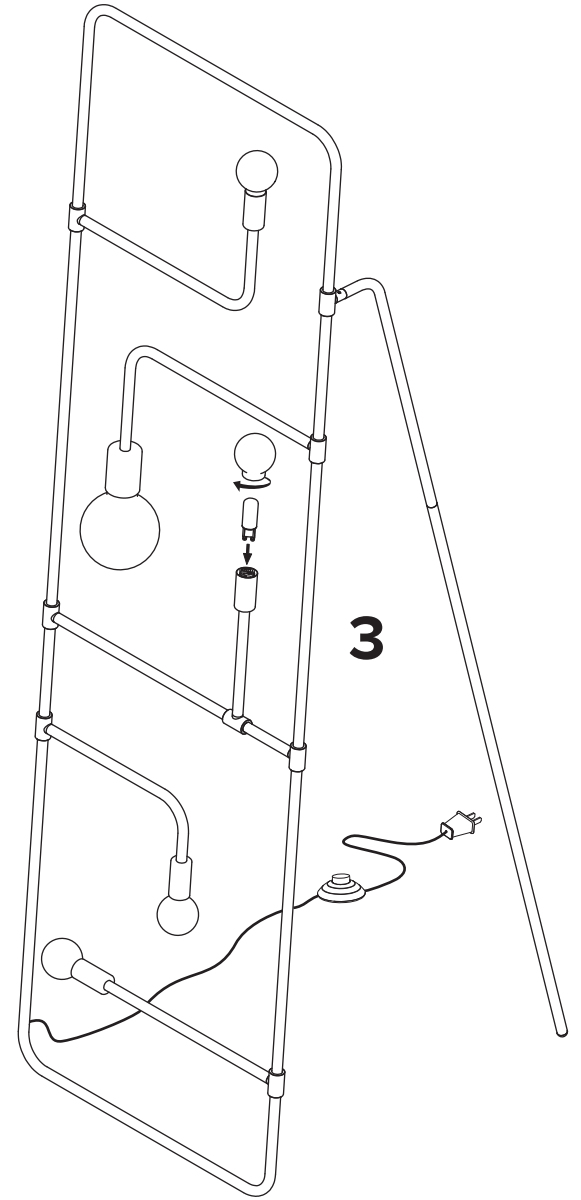
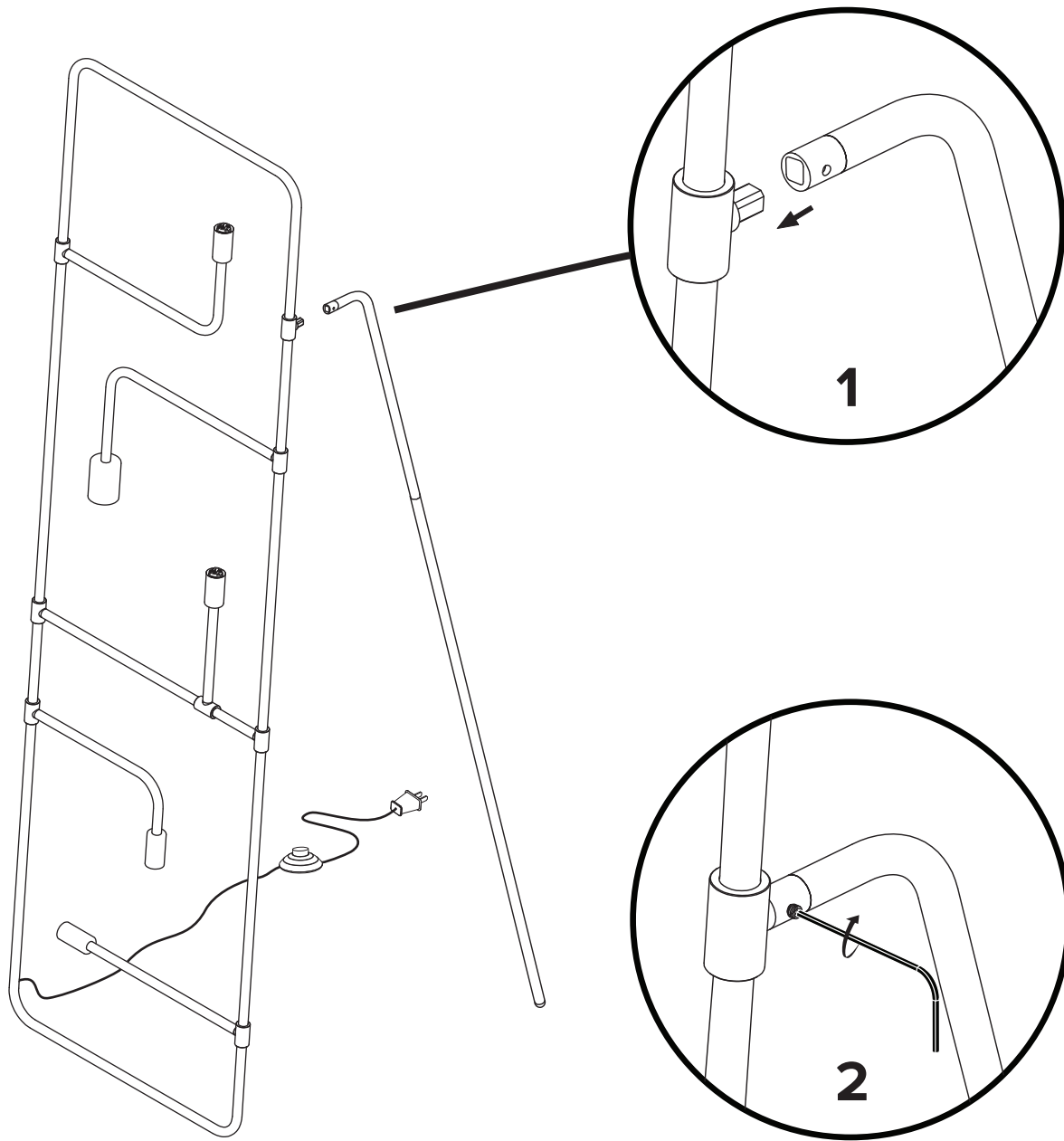


3 x



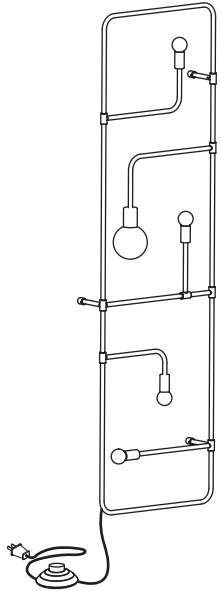
3 x







* Screw gently, but firmly

BEAUBIEN WALL

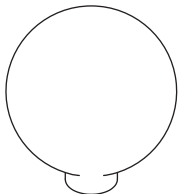



1 x 

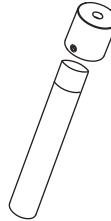
4 x 
3.5W

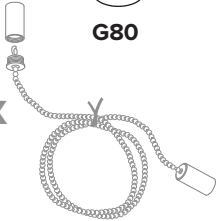
1 x 
4.5W

4 x 
G50

1 x 
G80

3 x 

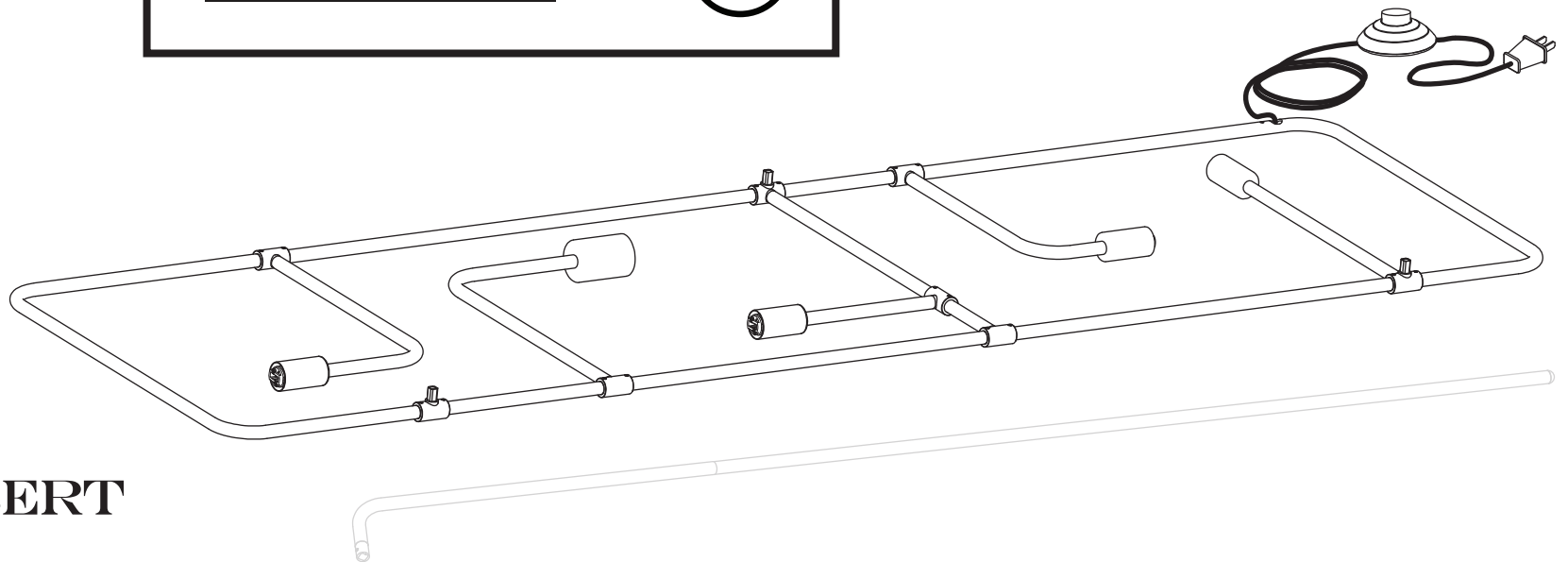
3 x 

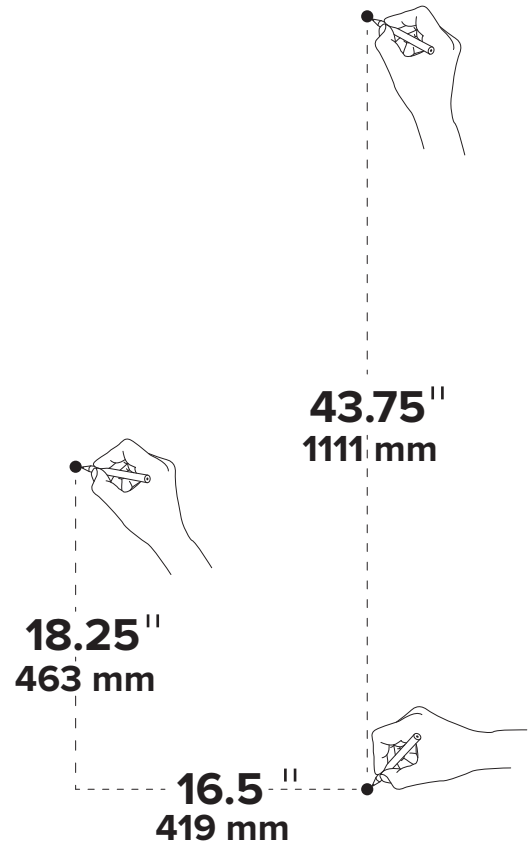
3 x 



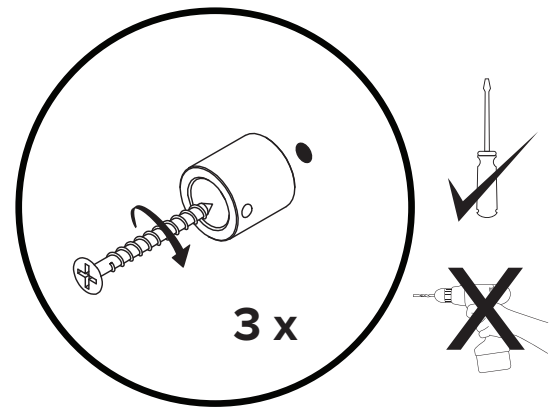
- Use appropriate screws and anchors where necessary
- Wear enclosed gloves when handling lamp
- Hold lamp by the frame
- Handle raw brass with care. Please consult lamp maintenance sheet on our web site
- Wall mount only

lamp weight **17 lbs.**

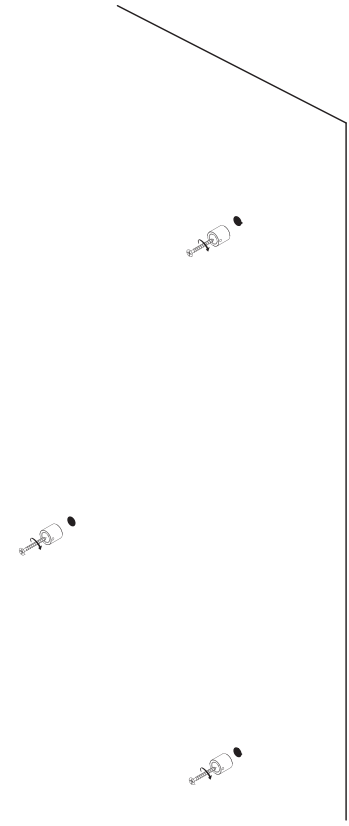
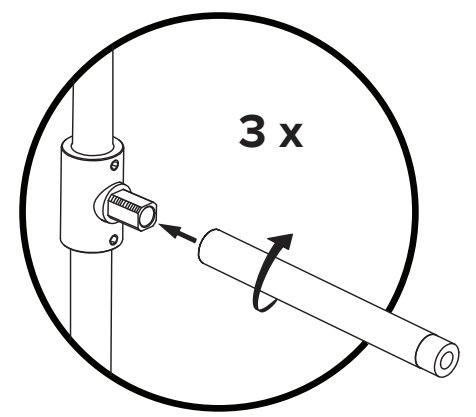




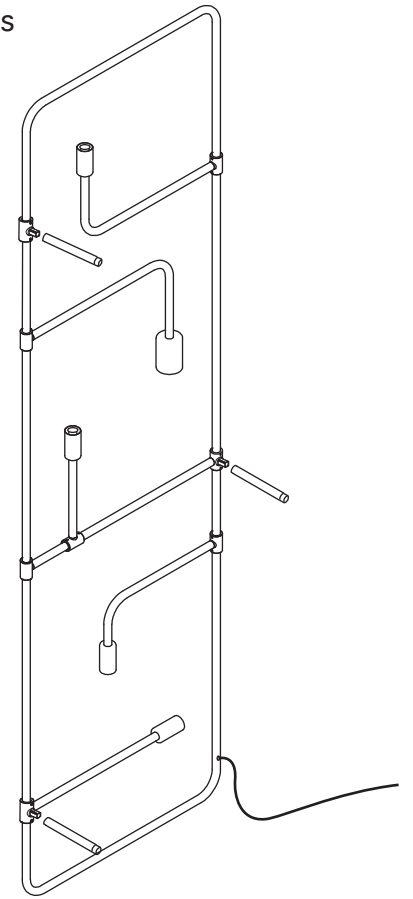
1



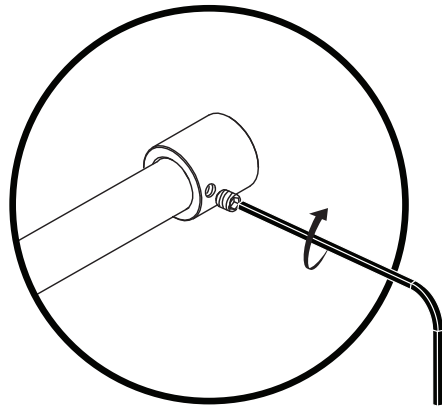
* Use appropriate anchors



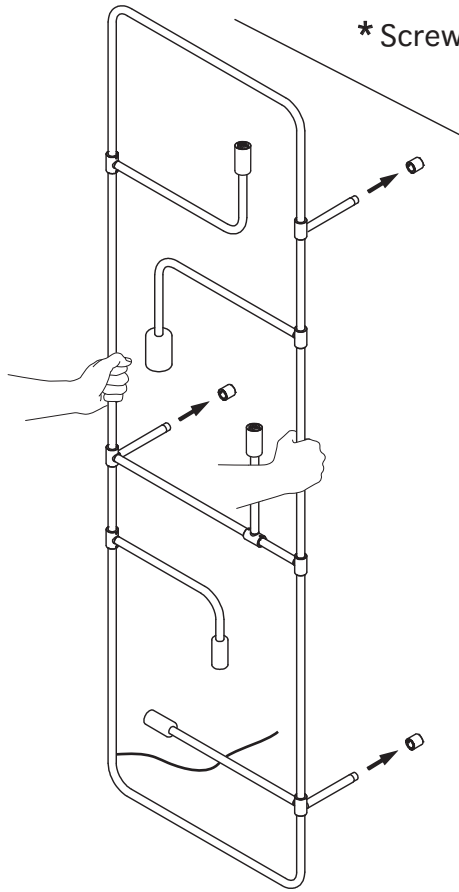
2



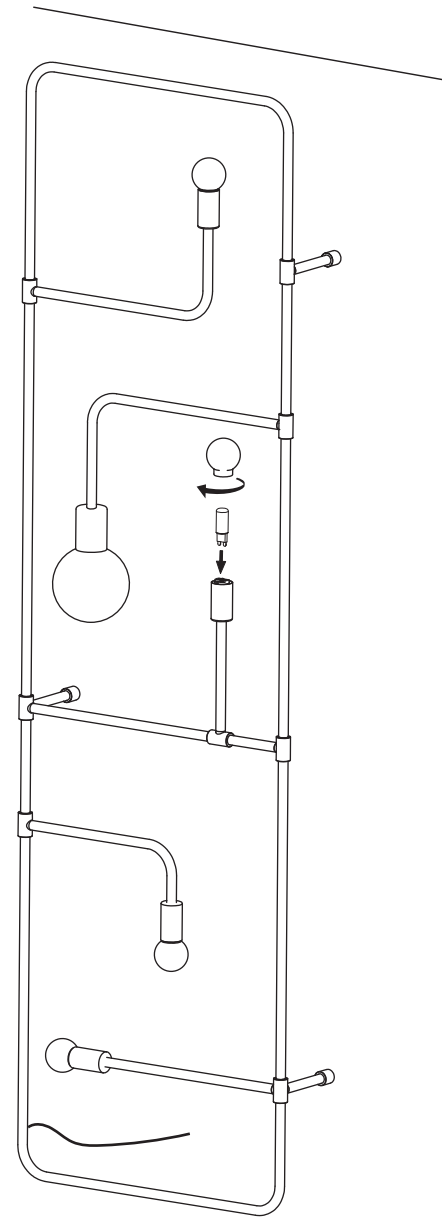
3



* Screw gently, but firmly

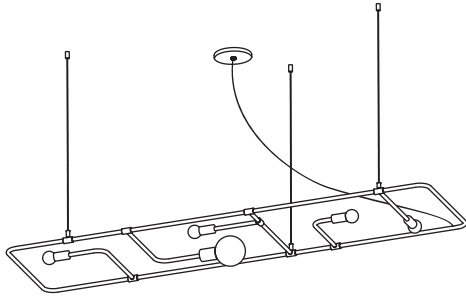


4



5

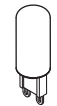
BEAUBIEN SUSPENSION



1 x



4 x



3.5W

1 x



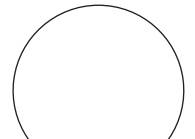
4.5W

4 x



G50

1 x

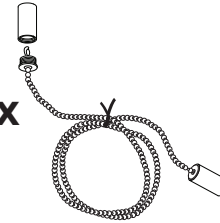


G80

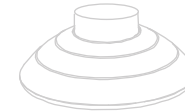
3 x



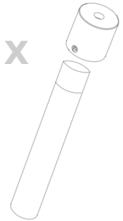
3 x



1 x

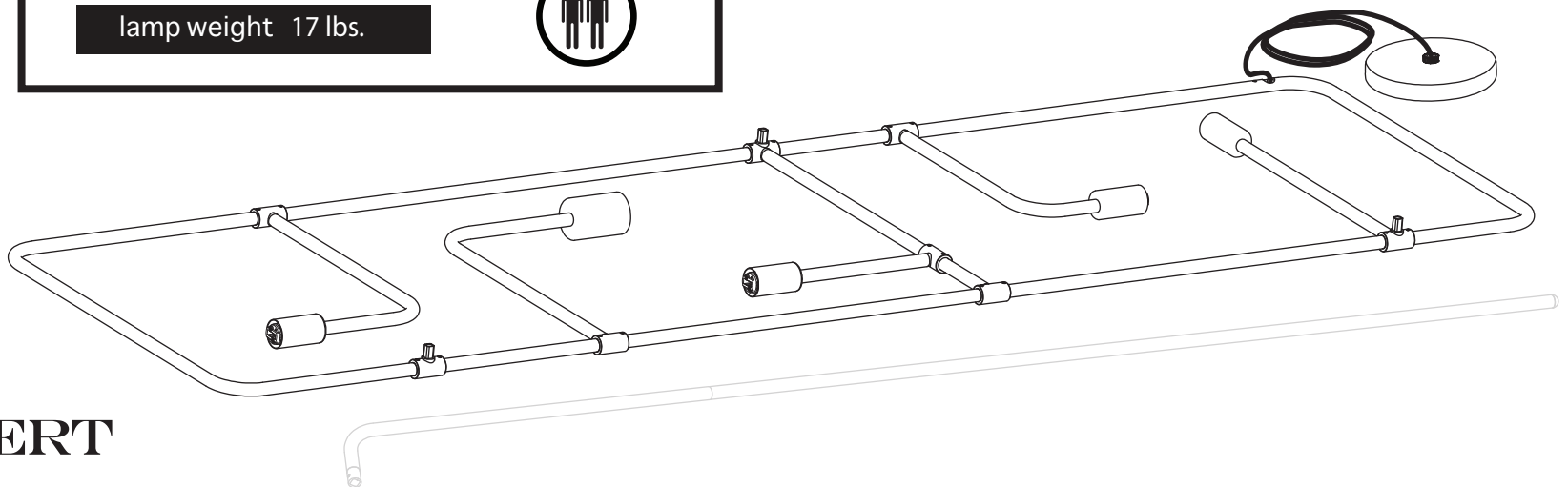


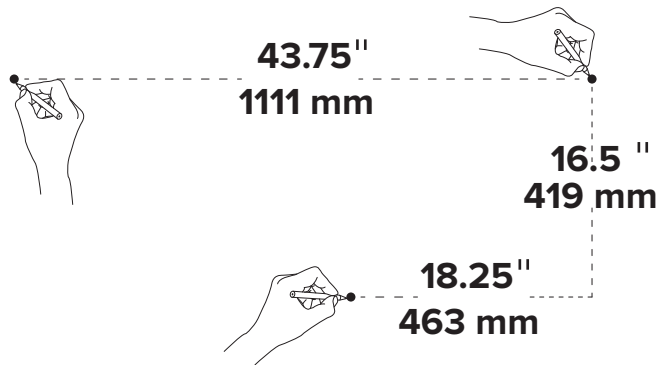
3 x



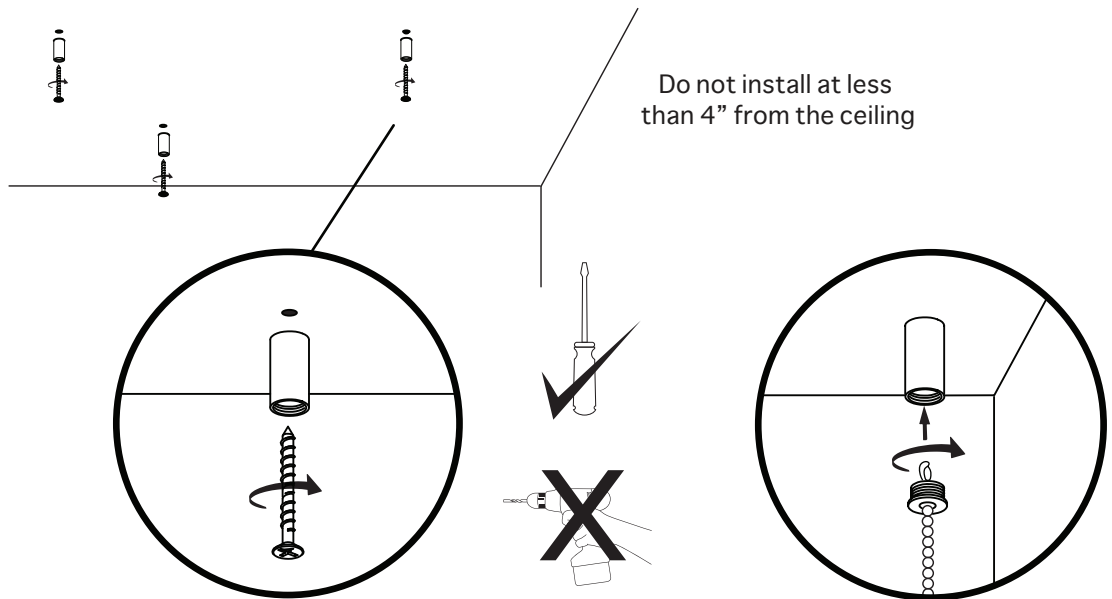
- To be installed by an electrician to an electrical box
- Use appropriate screws and anchors where necessary. Do not use the wall anchors for the ceiling position
- Wear enclosed gloves when handling lamp
- Hold lamp by the frame
- Handle materials with care. Please consult lamp maintenance sheet on our web site

lamp weight 17 lbs.





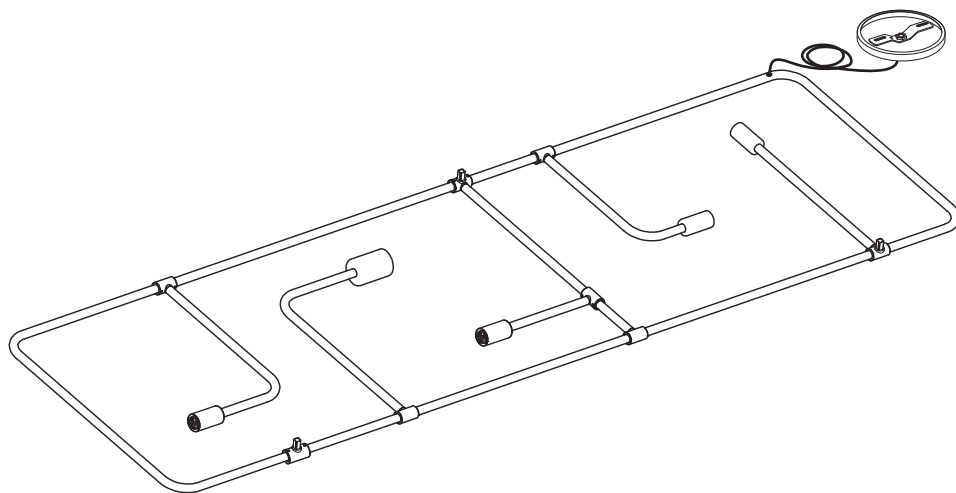
1



2

* Use appropriate anchors

3



4

