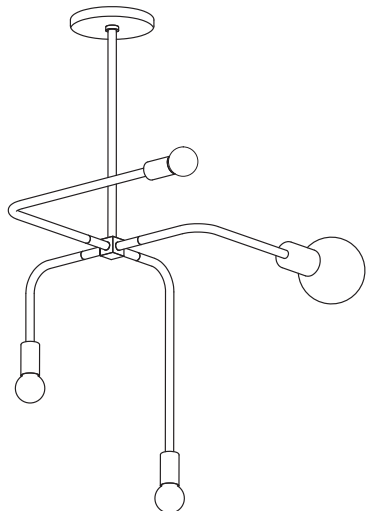
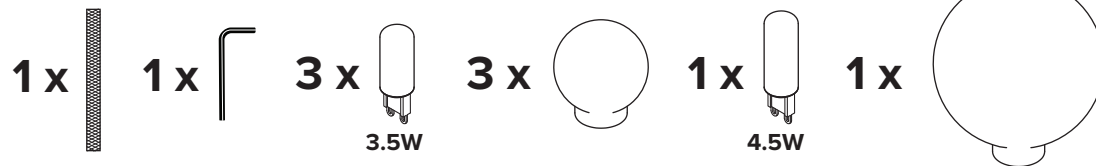
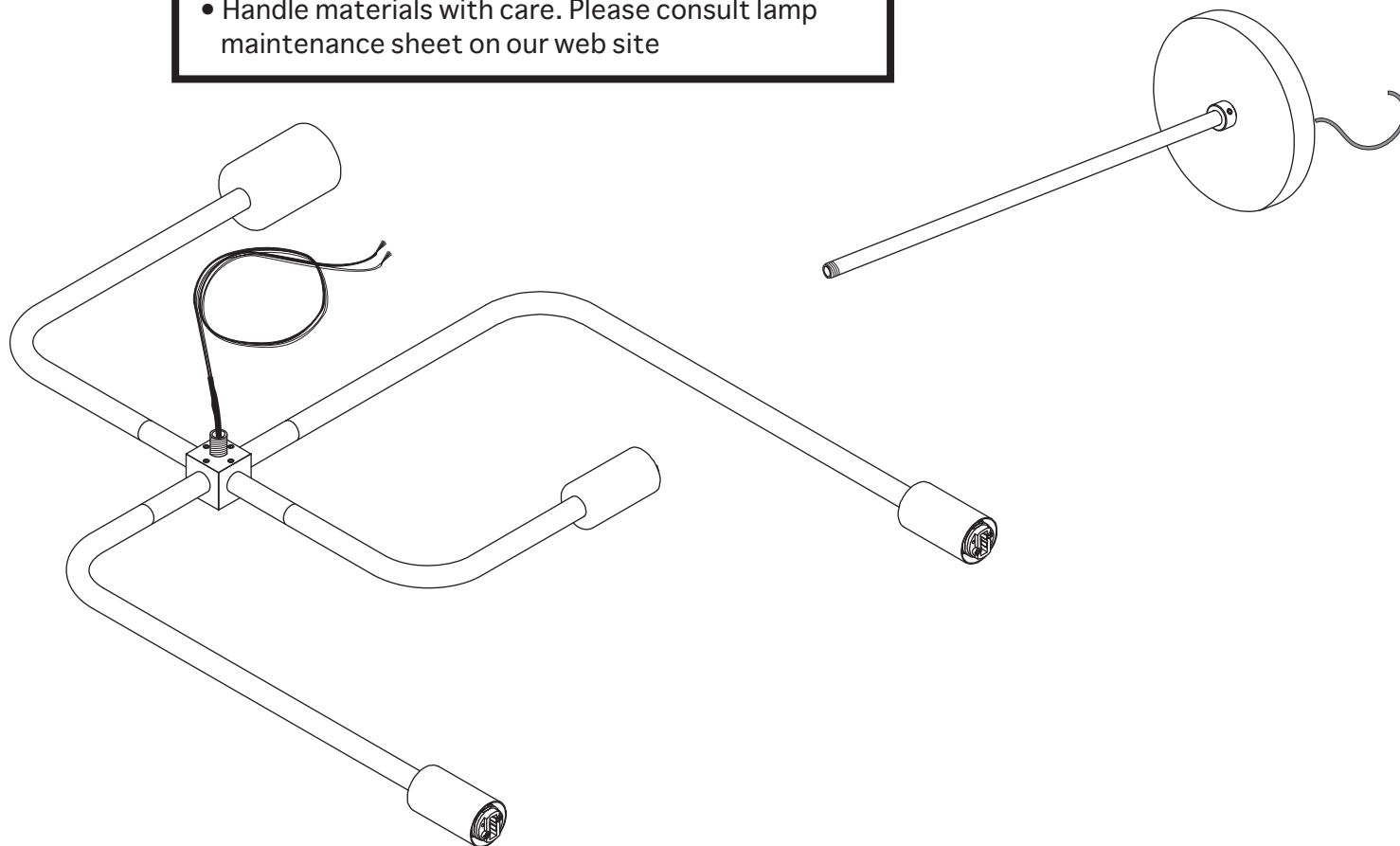


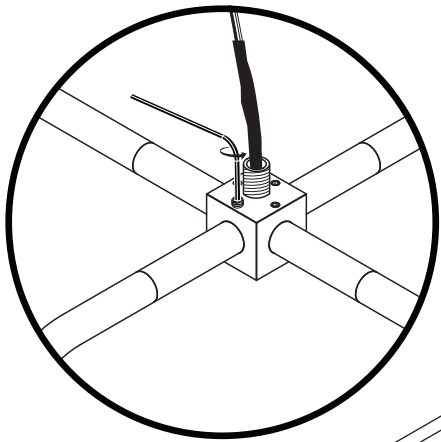
BEAUBIEN SUSPENSION



!

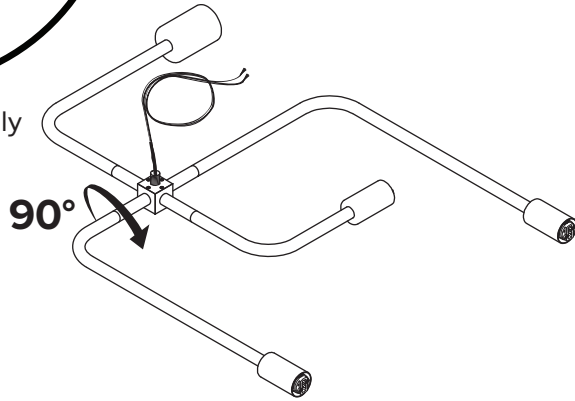
- To be installed by an electrician to an electrical box
- Use appropriate screws and anchors where necessary
- Wear enclosed gloves when handling lamp
- Handle materials with care. Please consult lamp maintenance sheet on our web site



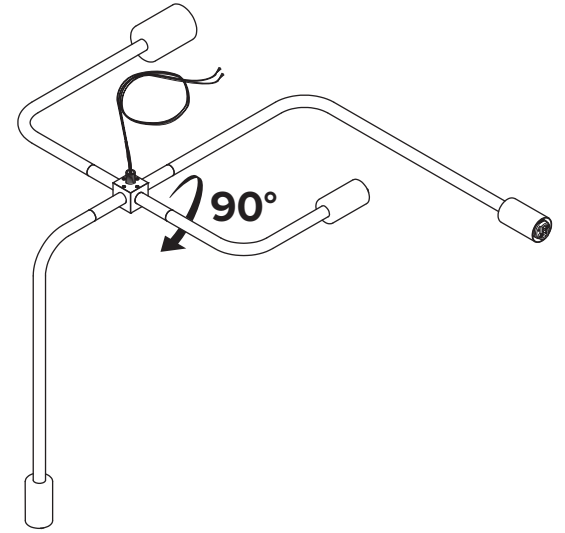


* Screw gently, but firmly

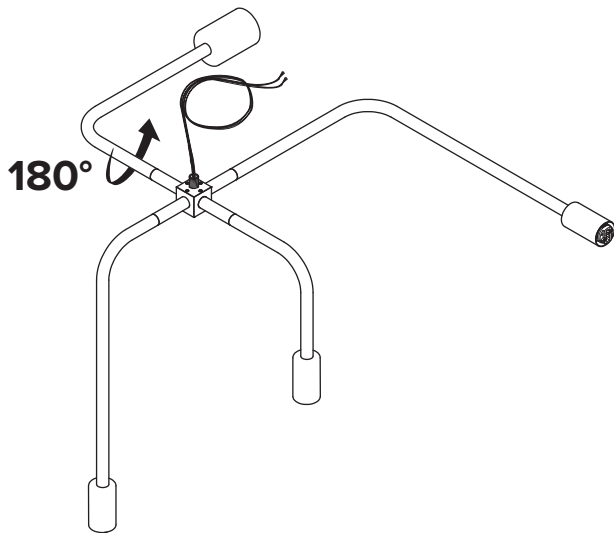
1



2



3



4

