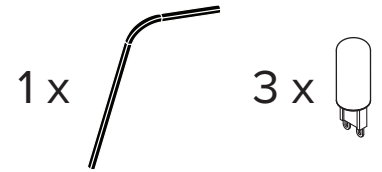
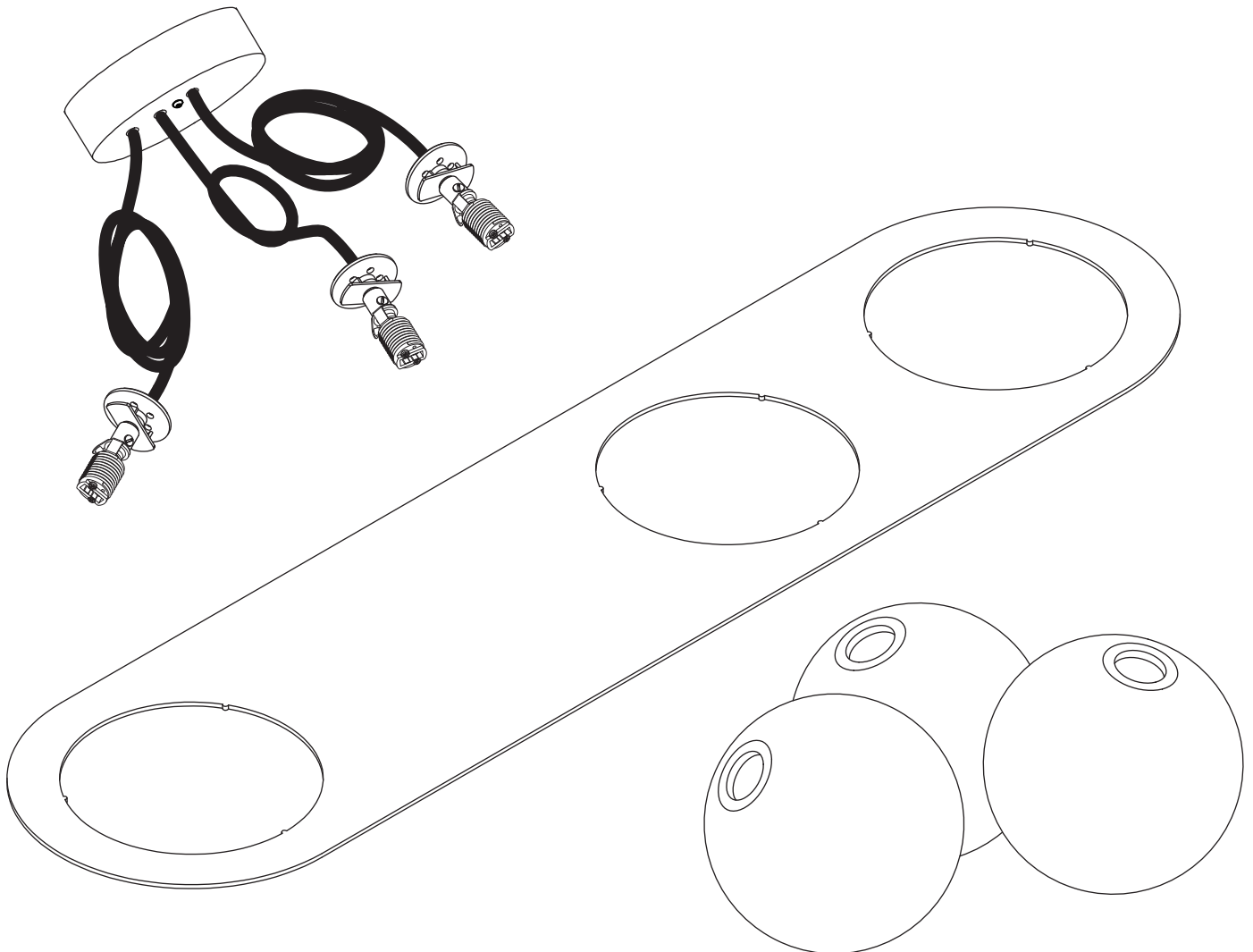


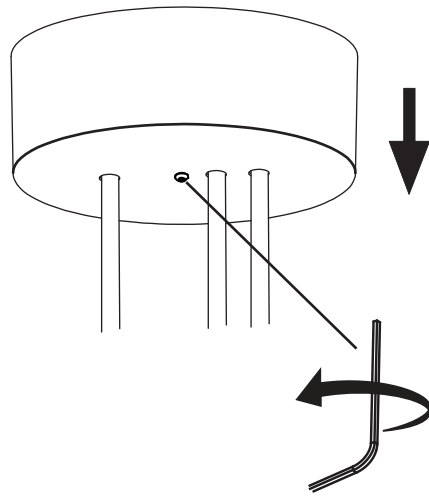
LAURENT 07



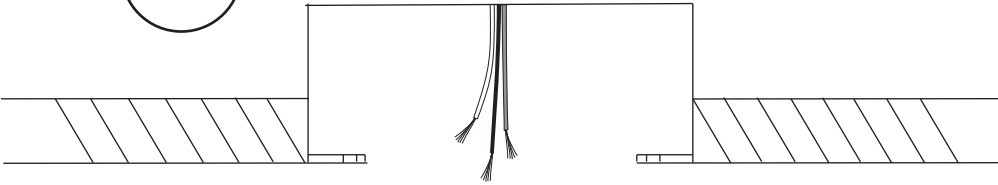
- To be installed by an electrician to an electrical box
- Use appropriate screws and anchors where necessary
- Wear enclosed gloves when handling lamp
- Handle materials with care. Please consult lamp maintenance sheet on our web site
- Should be used exclusively as a lamp and not as a shelving, display or hanging unit



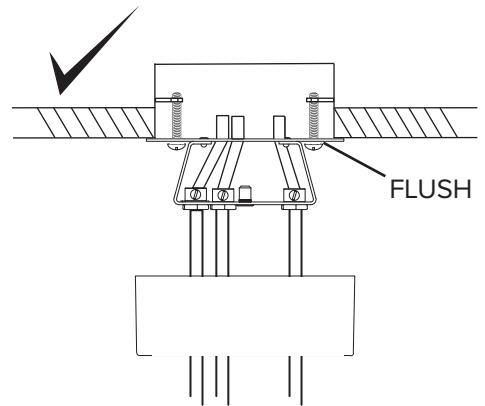
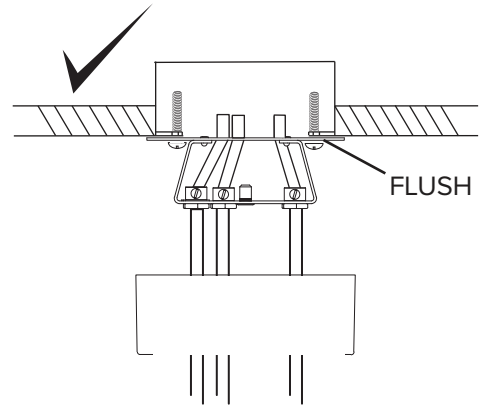
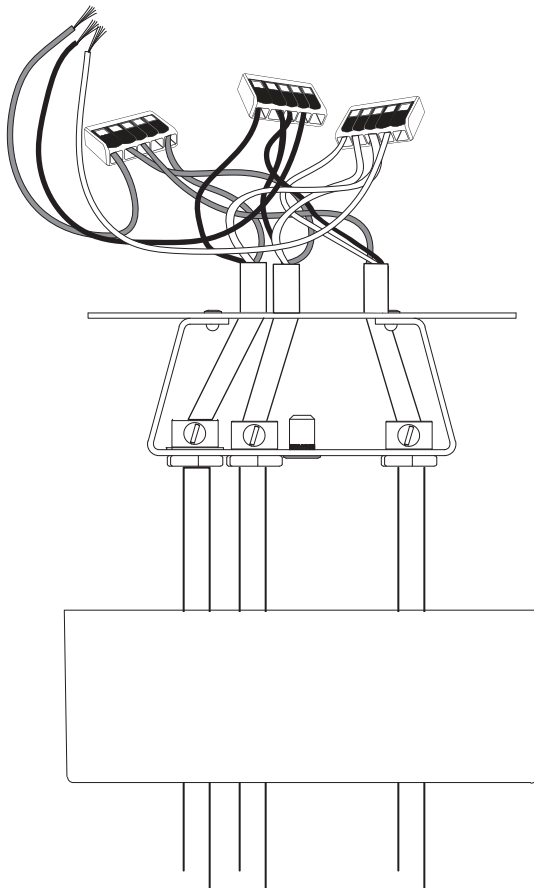
1

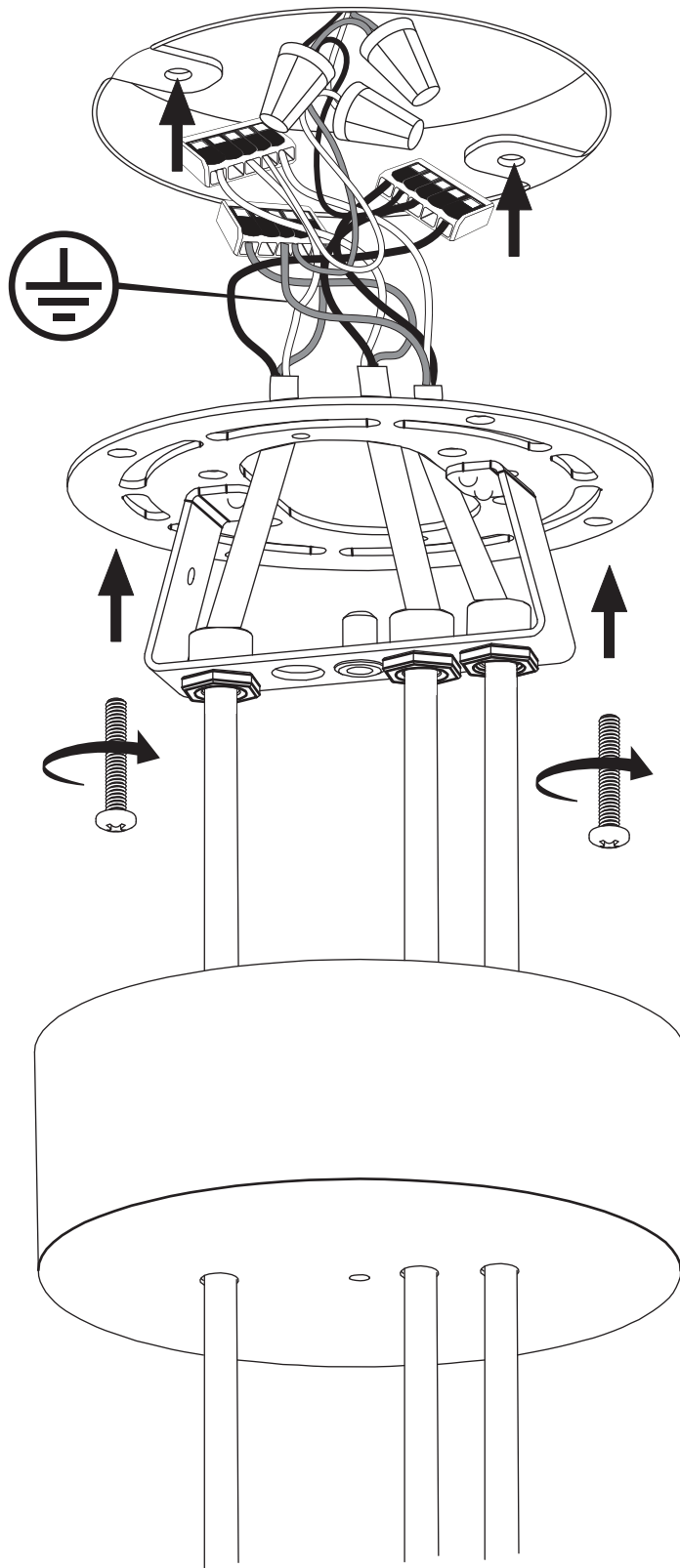


2



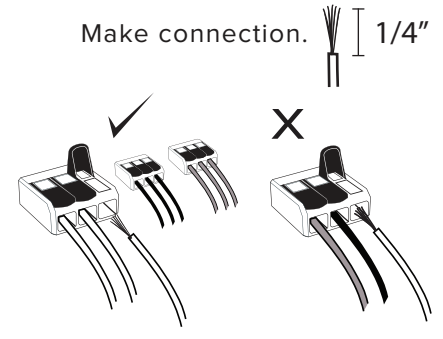
CONNECTION





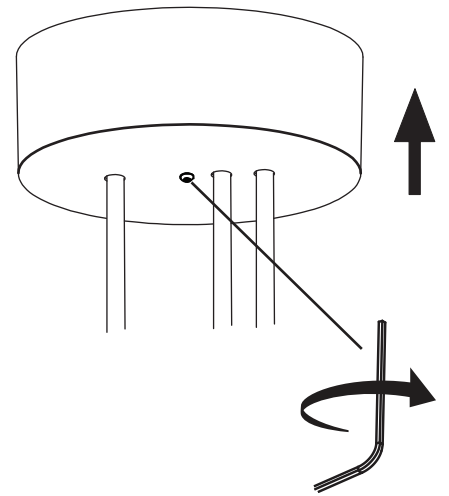
3

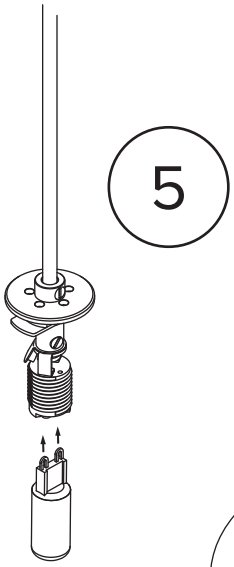
Make connection. $\frac{1}{4}$ "



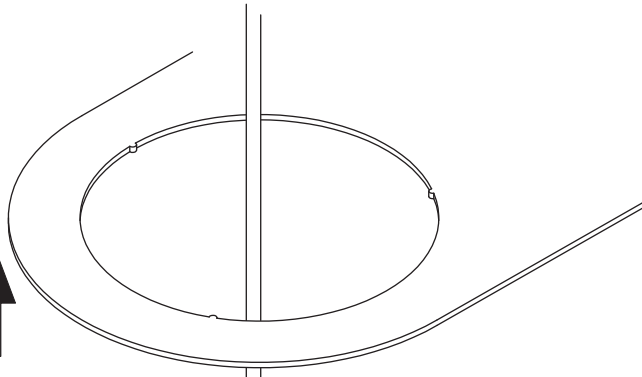
Ensure no wires are scratched or pinched during this operation.

4



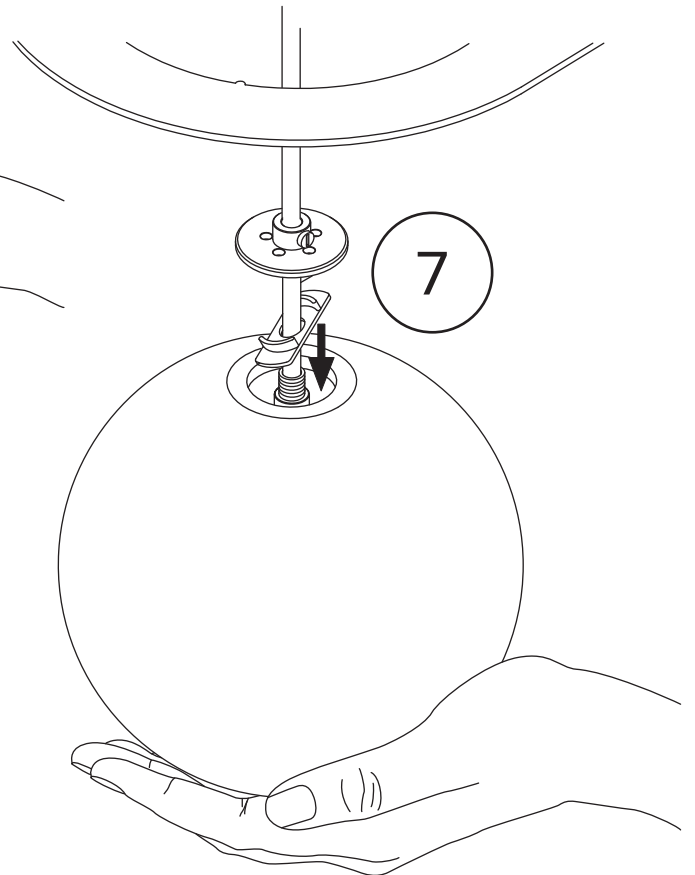


A ↑

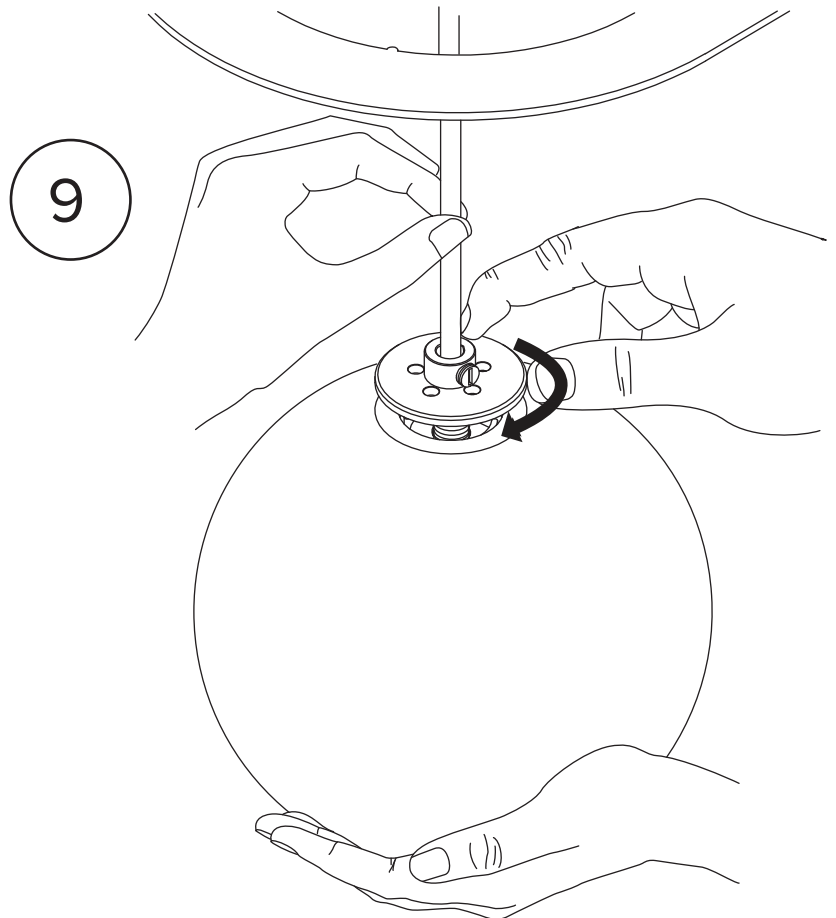
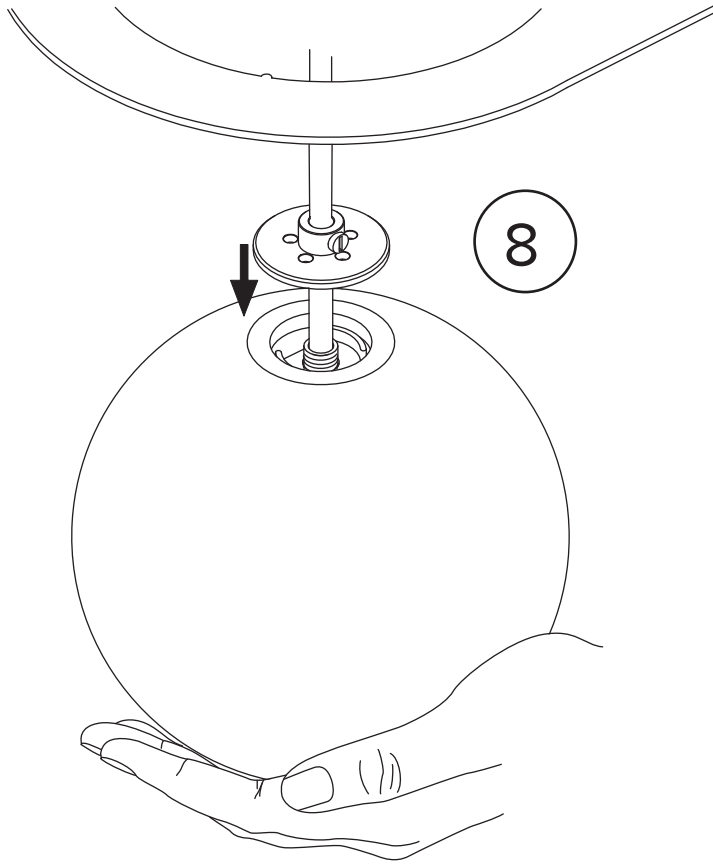


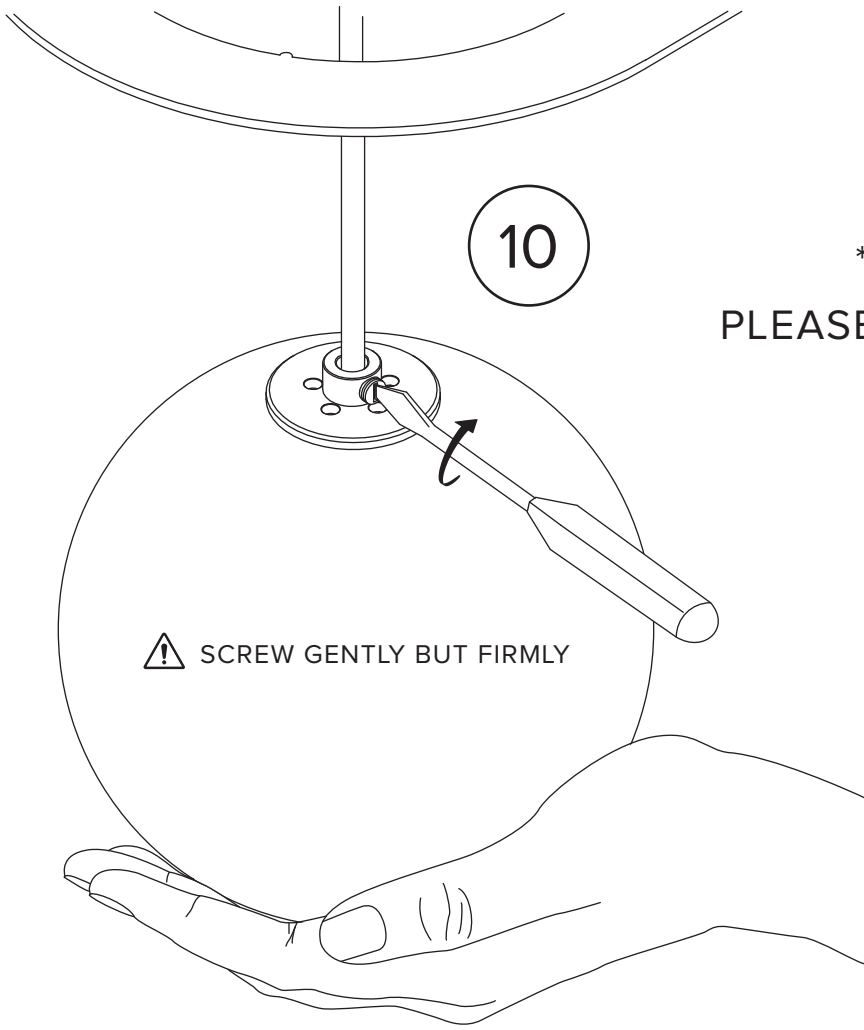
B

6

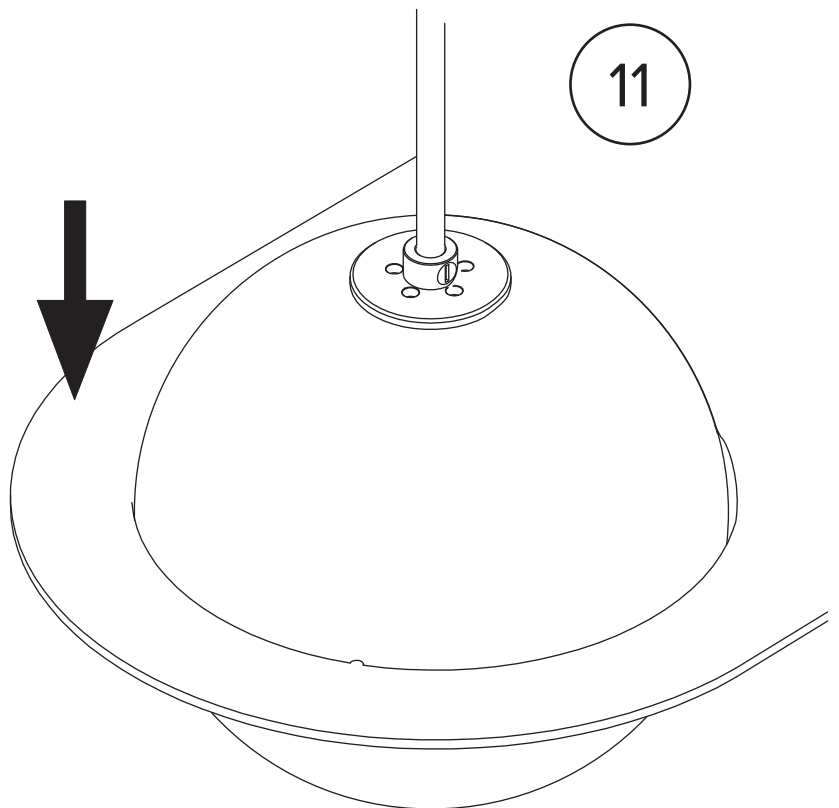


7

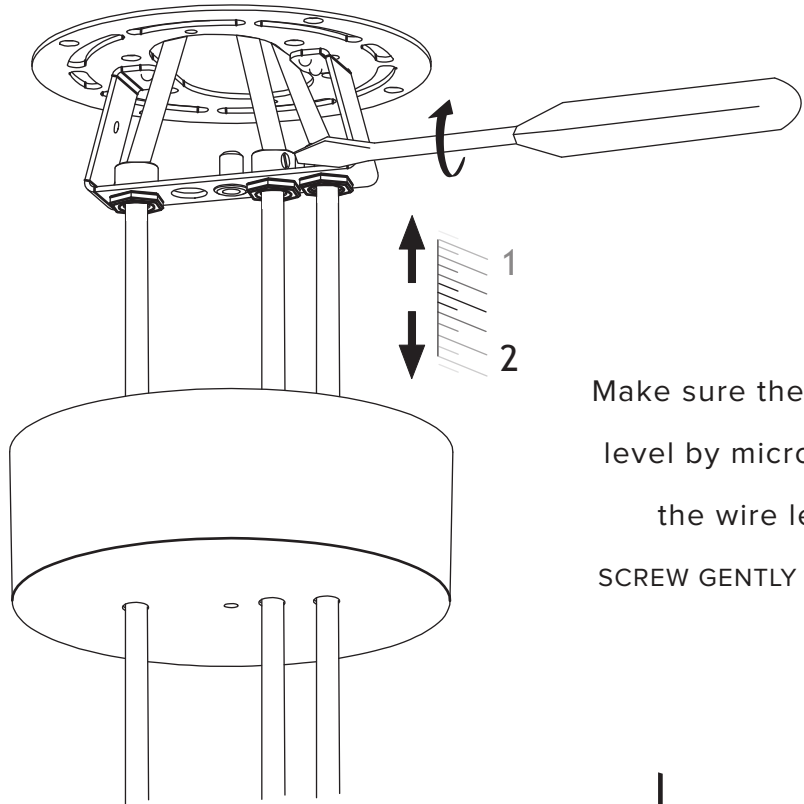




* To ensure safety,
PLEASE FOLLOW THESE STEPS
CAREFULLY



12



Make sure the globes are level by micro-adjusting the wire lengths.
SCREW GENTLY BUT FIRMLY

