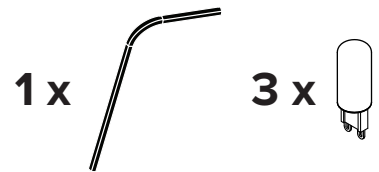
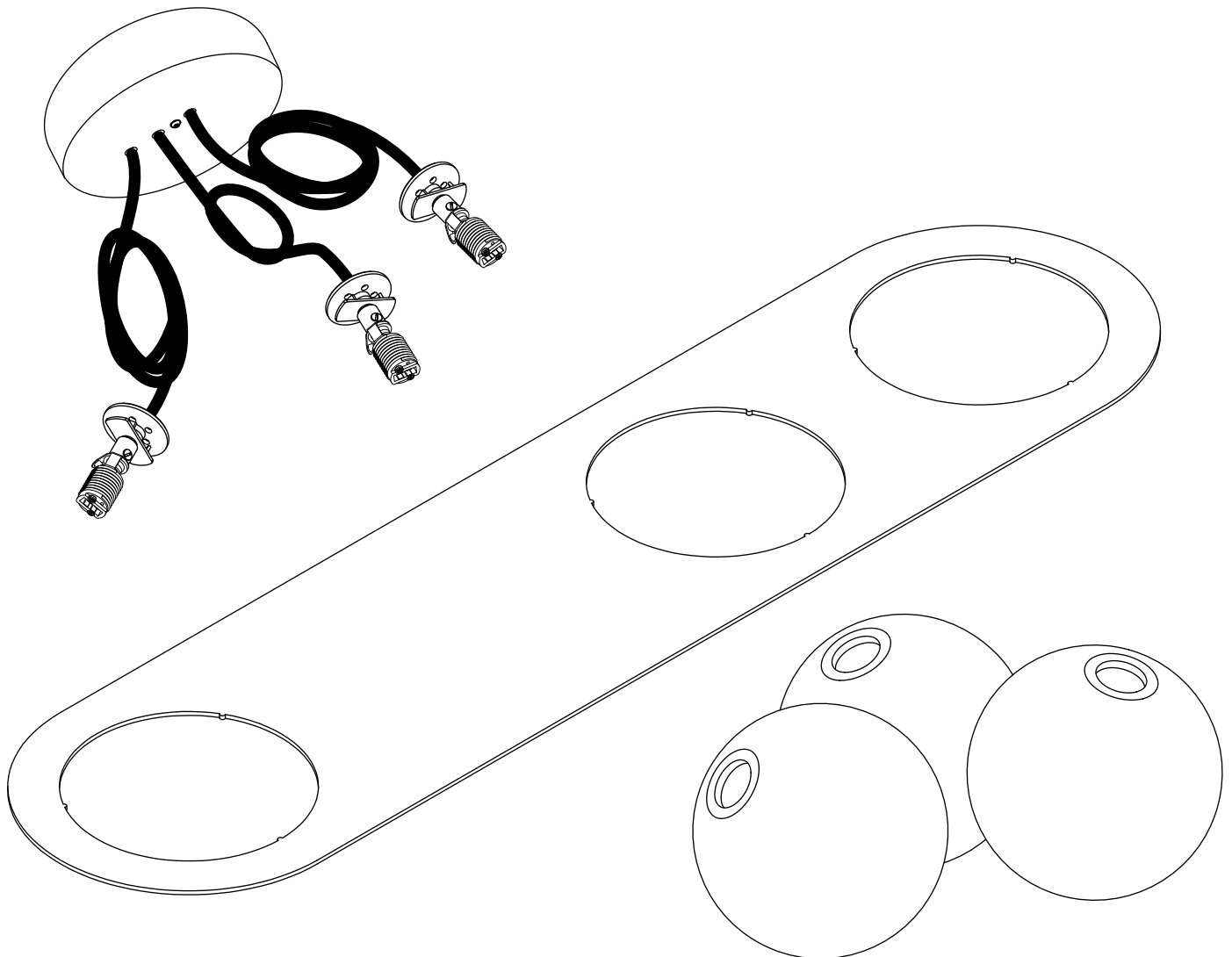


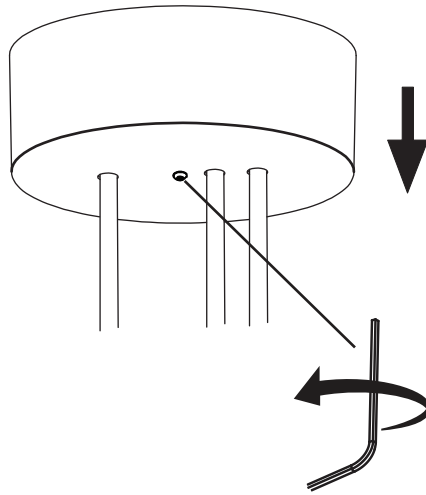
LAURENT 07



- To be installed by an electrician to an electrical box
- Use appropriate screws and anchors where necessary
- Wear enclosed gloves when handling lamp
- Handle materials with care. Please consult lamp maintenance sheet on our web site
- Should be used exclusively as a lamp and not as a shelving, display or hanging unit

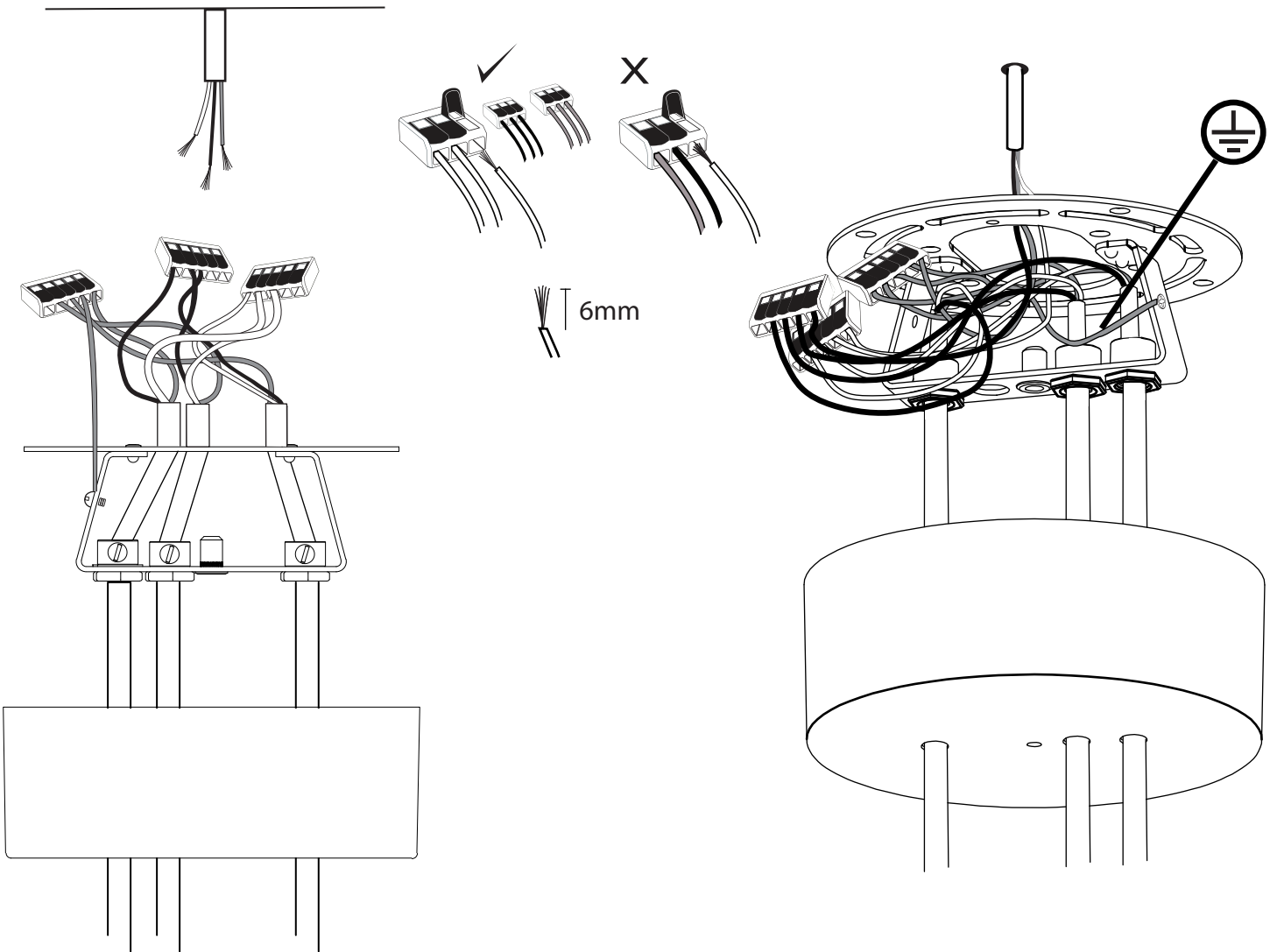


1

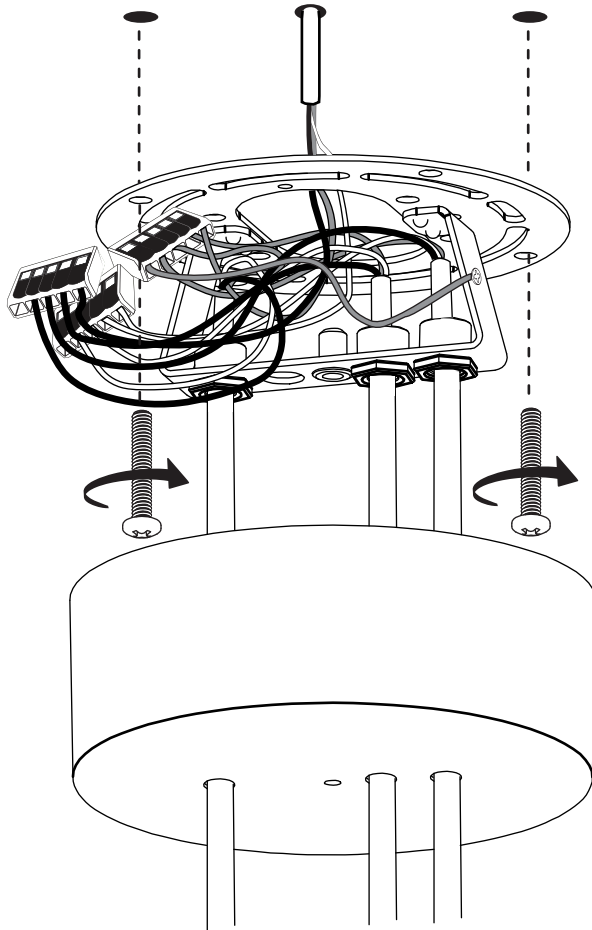


2

CONNECTION

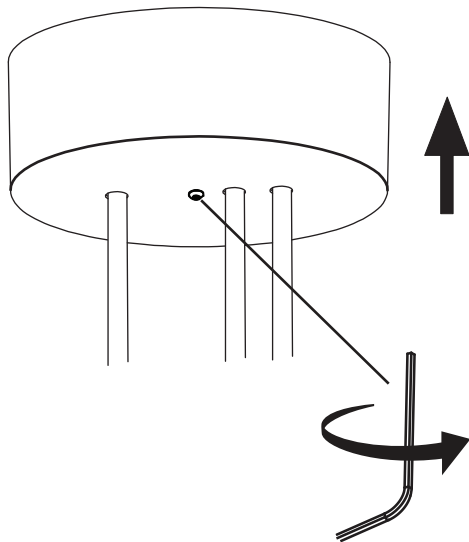


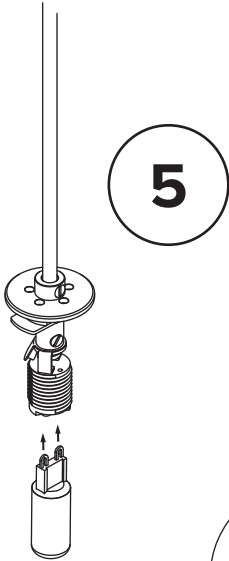
3



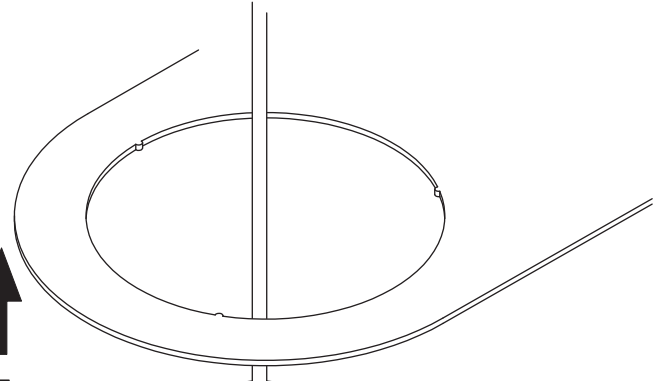
Ensure no wires are scratched or pinched during this operation.

4

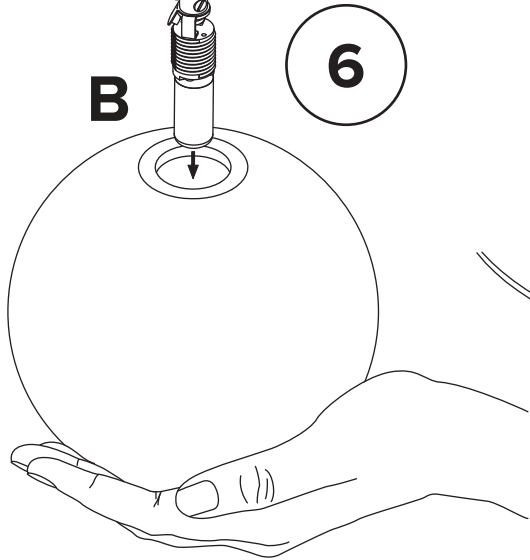




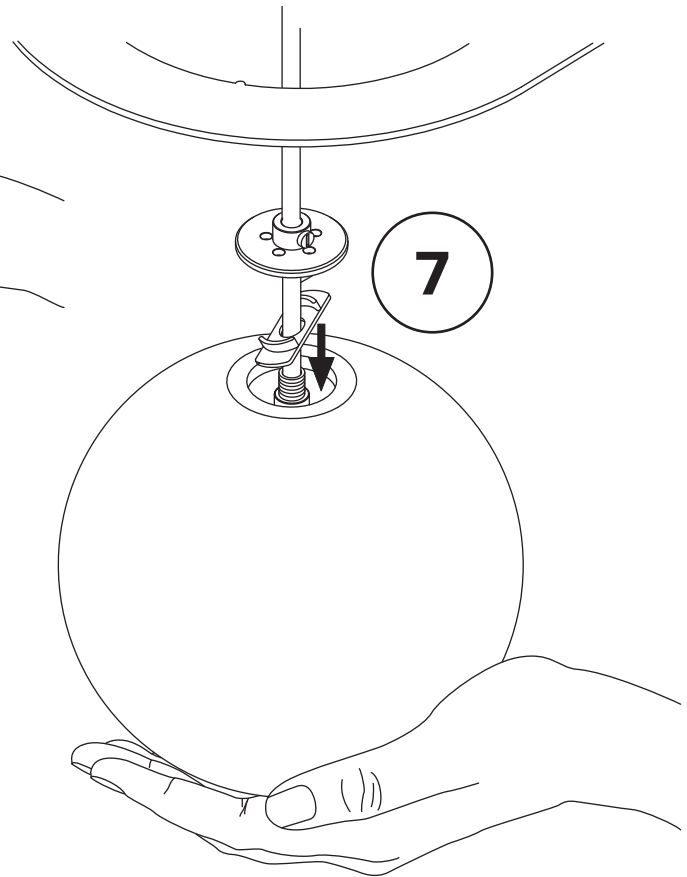
A

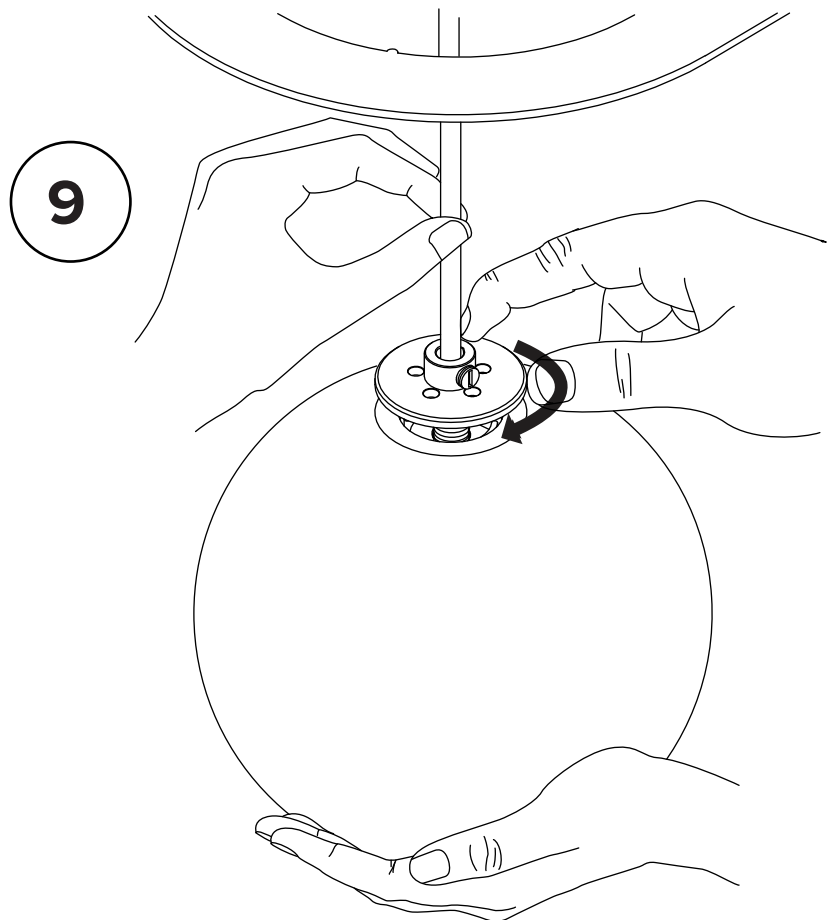
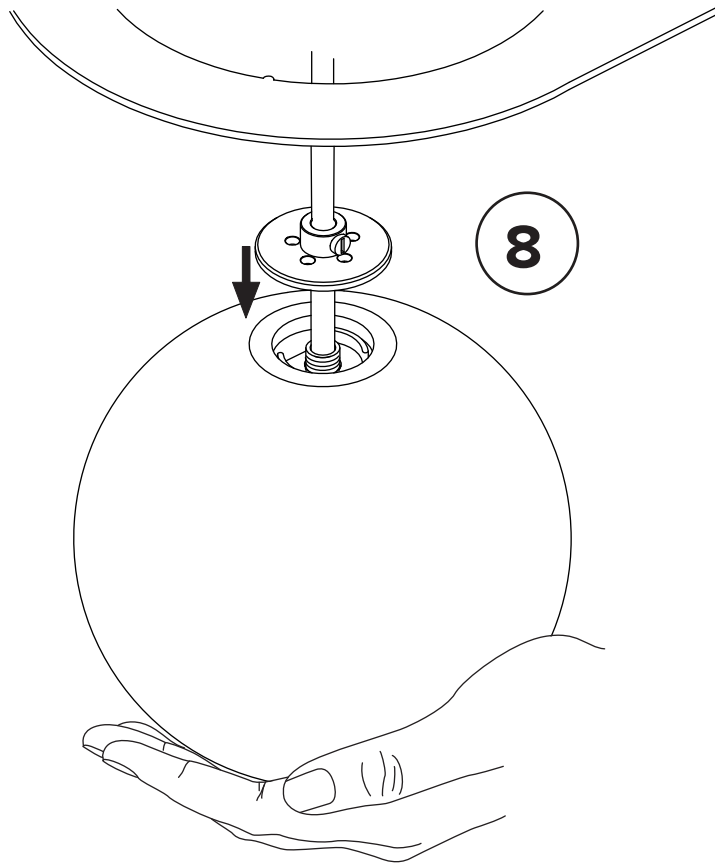


B



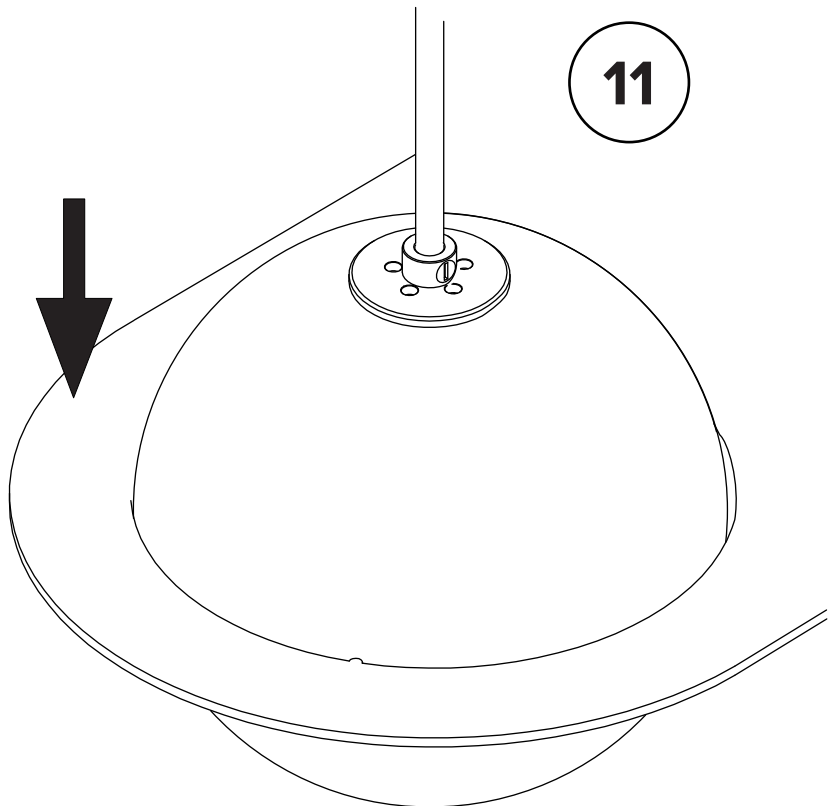
7



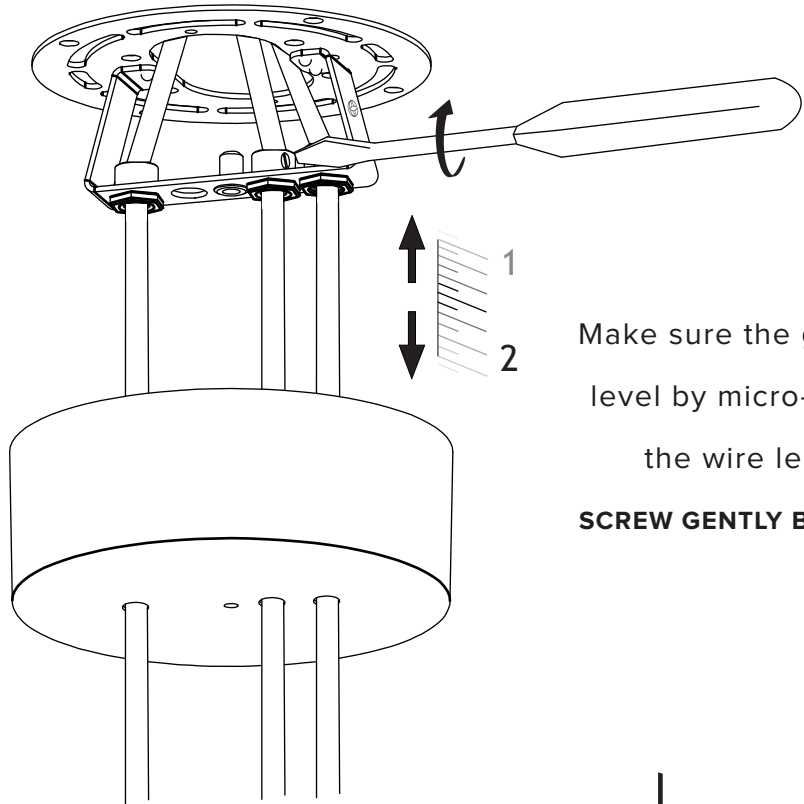




* To ensure safety,
**PLEASE FOLLOW THESE STEPS
CAREFULLY**

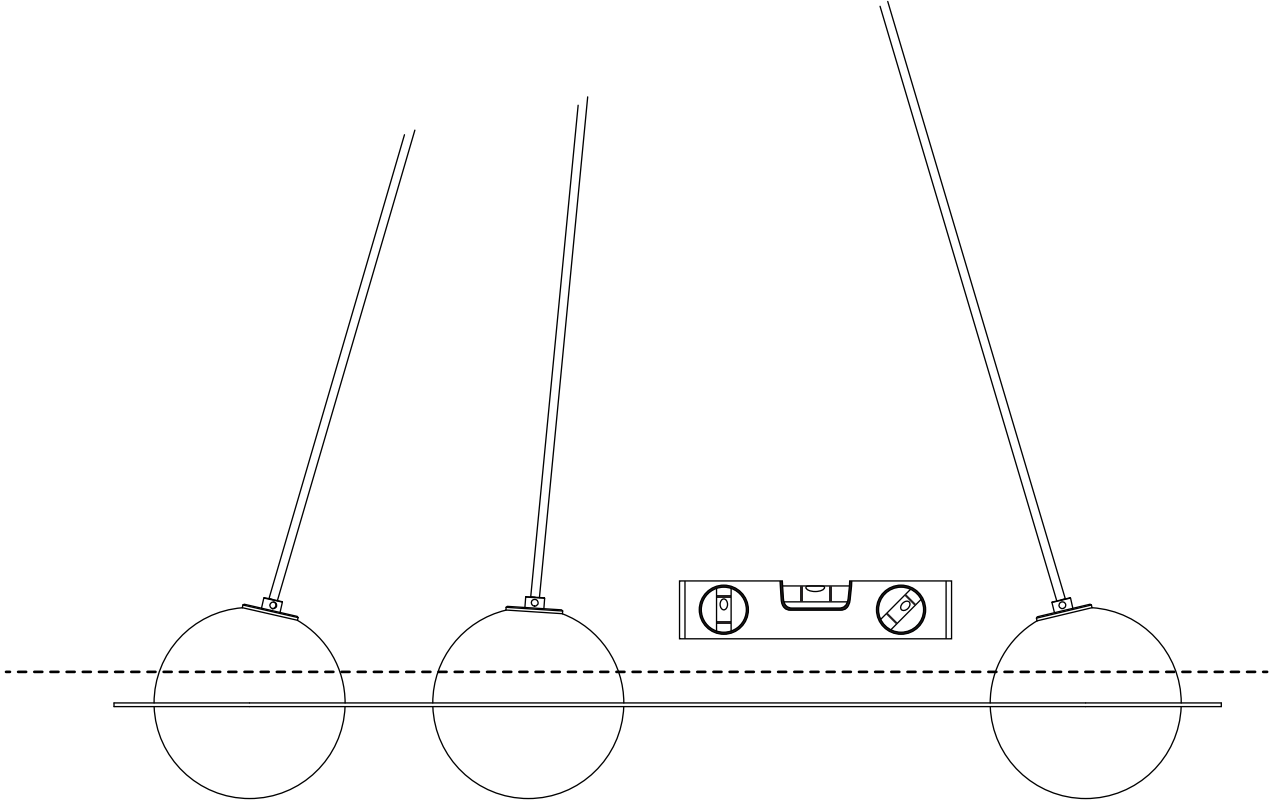
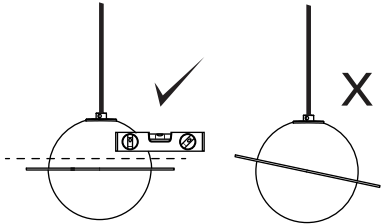
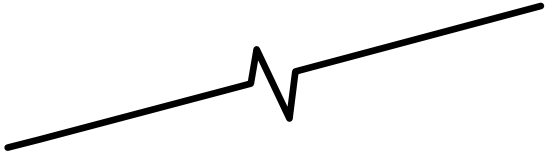


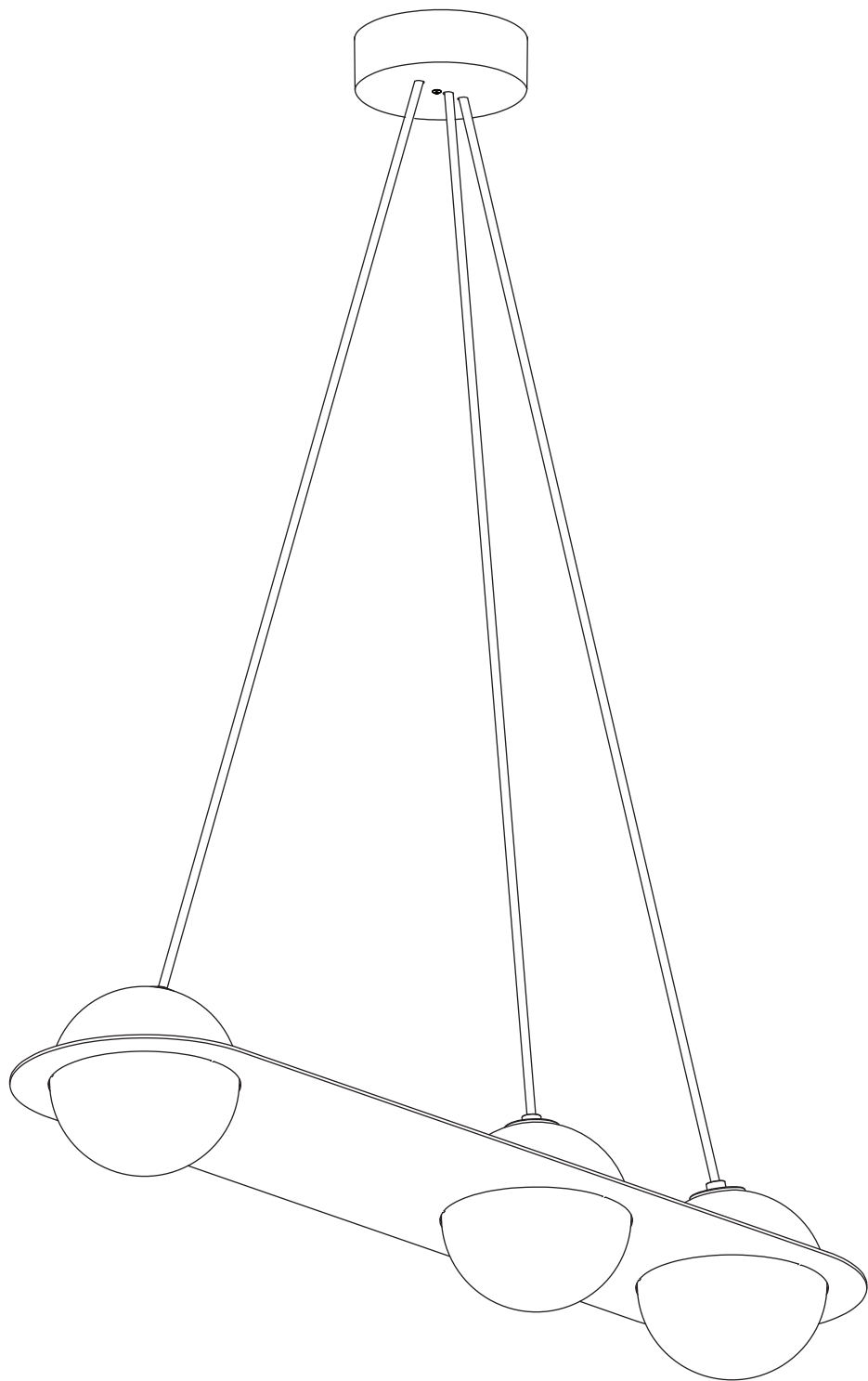
12



Make sure the globes are level by micro-adjusting the wire lengths.

SCREW GENTLY BUT FIRMLY





lambert&fils