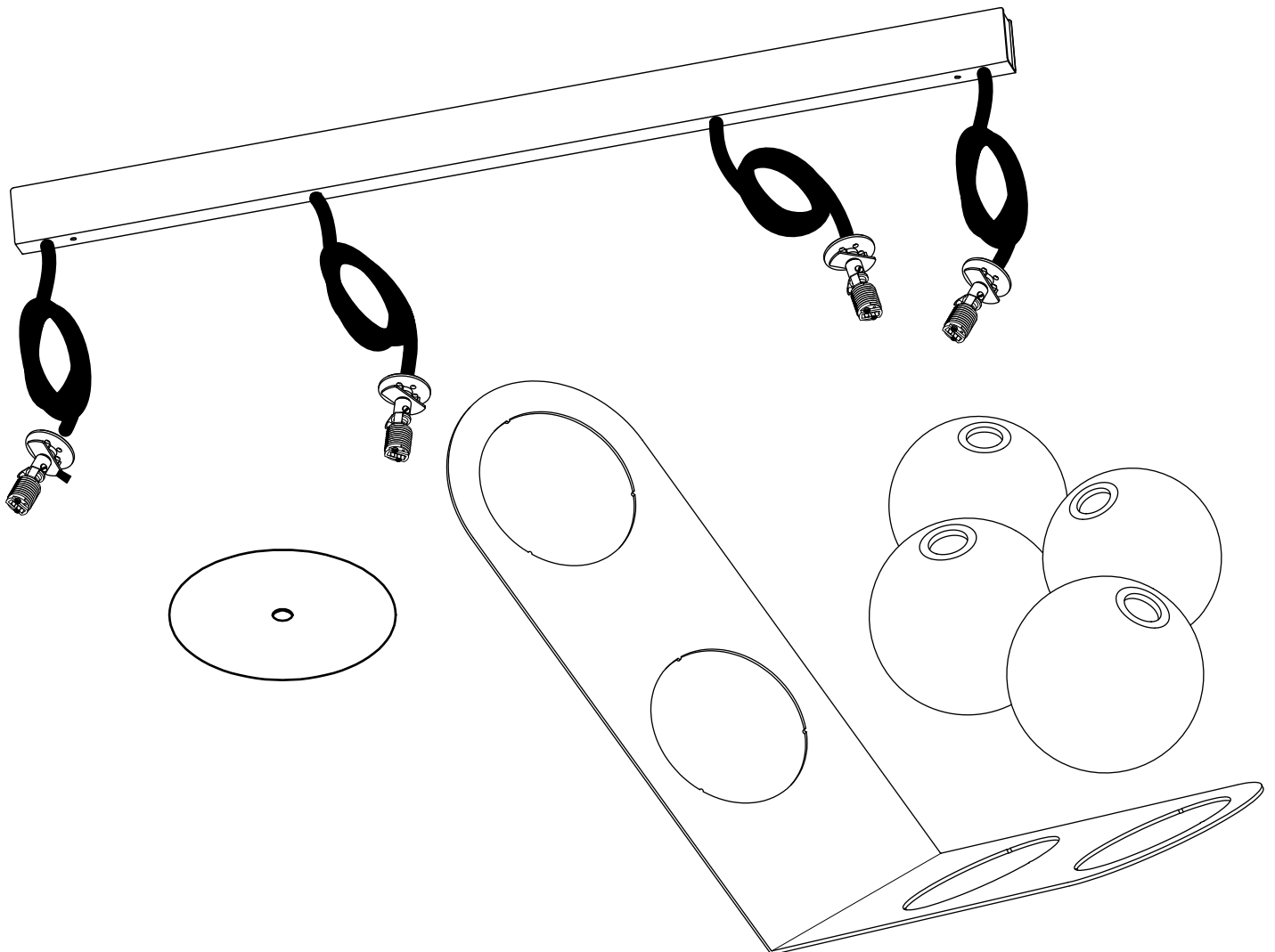
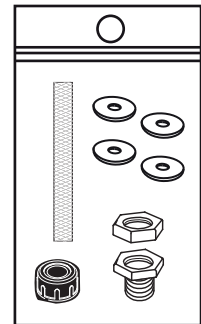


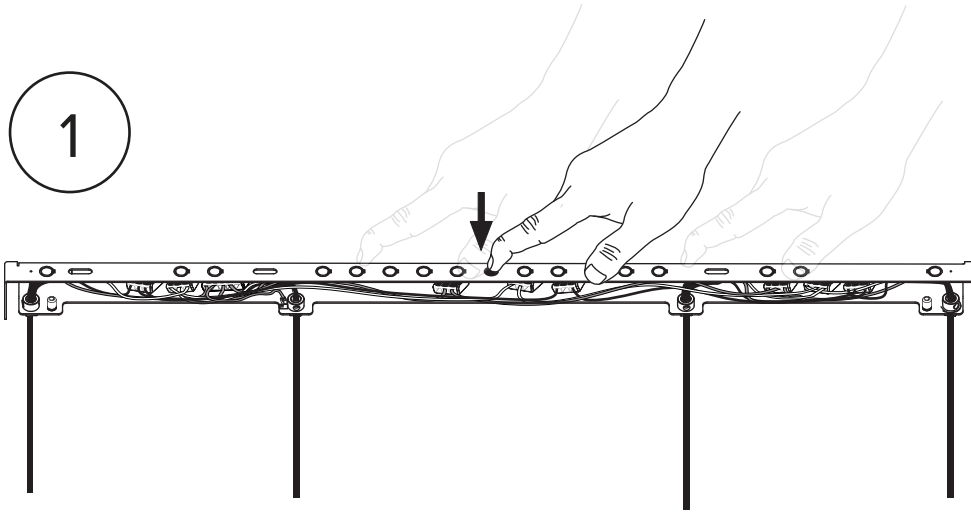
LAURENT 02



- To be installed by an electrician to an electrical box
- Use appropriate screws and anchors where necessary
- Wear enclosed gloves when handling lamp
- Handle materials with care. Please consult lamp maintenance sheet on our web site
- Should be used exclusively as a lamp and not as a shelving, display or hanging unit

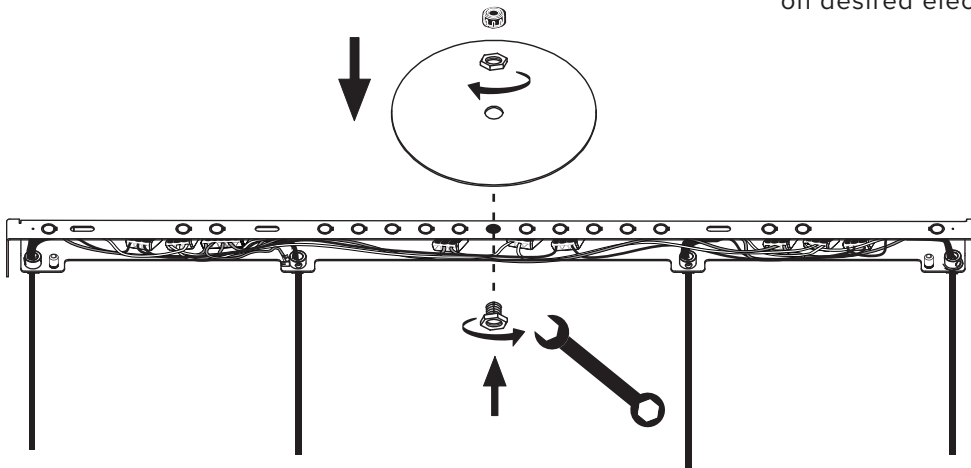


1

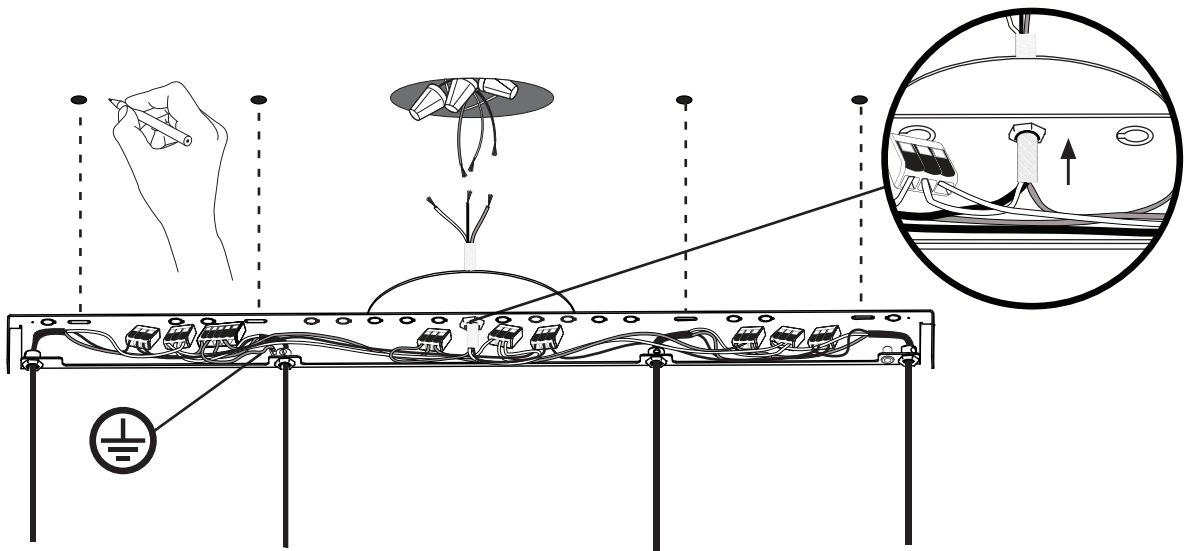


Knockout selected hole depending on desired electrical box alignment.

2



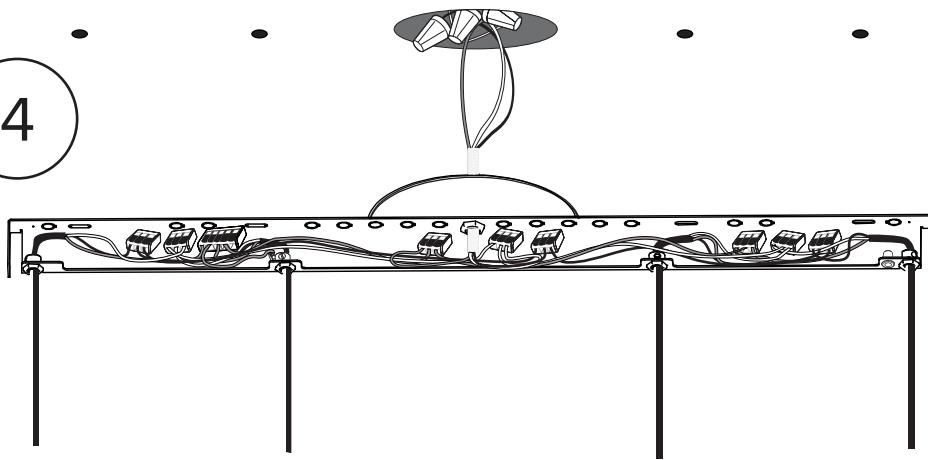
3



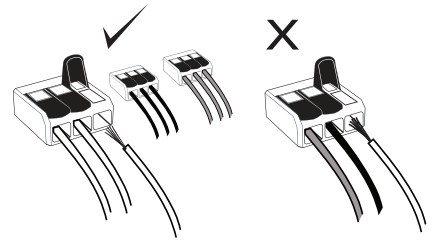
Before marking your anchor locations, align the ceiling bracket with the center of your junction box. Feed wires through anti-abrasive sleeve before making connection

Make sure to use appropriate anchors for ceiling material.

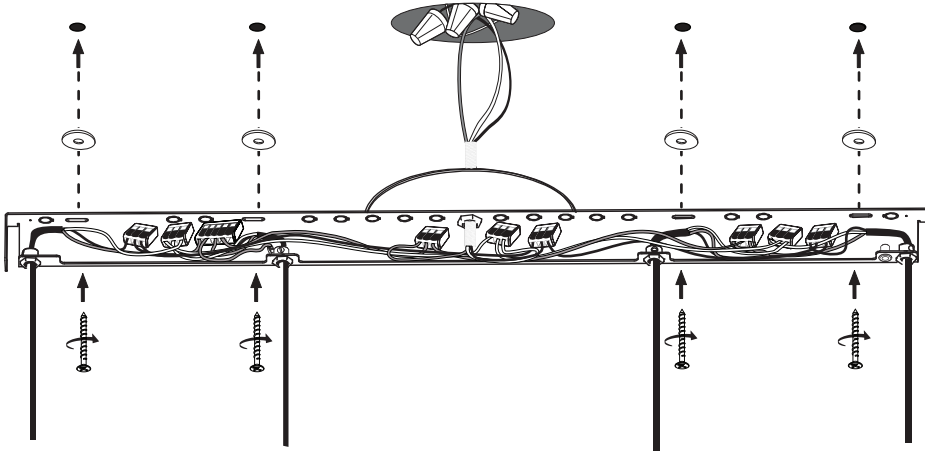
4



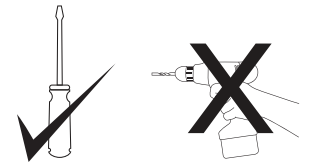
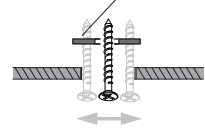
Make connection.  6mm



5

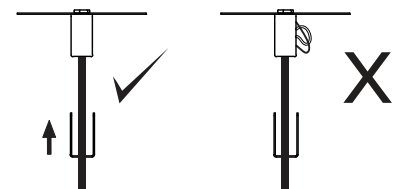
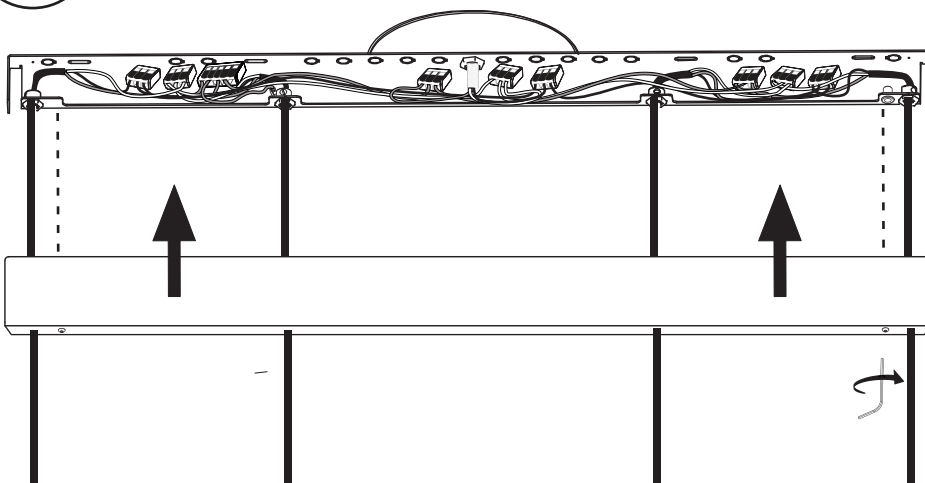


SMALL SPACING WASHER



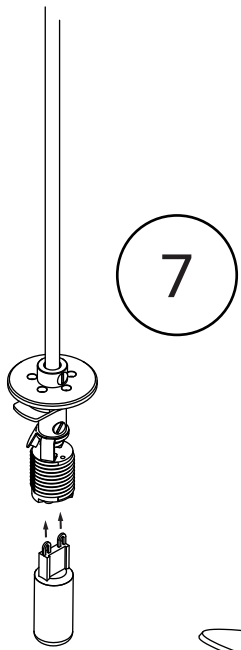
Avoid scuffing the wires during this operation.

6

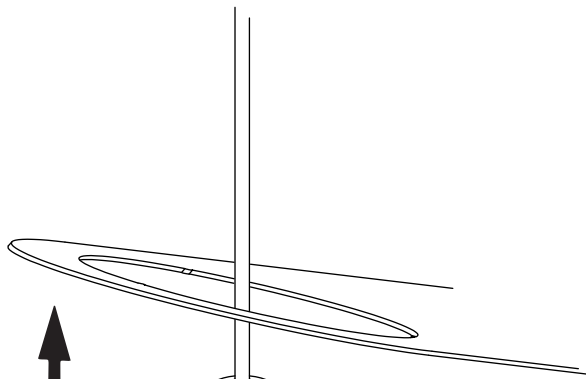


Ensure no wires are clipped or pinched during this operation.

* Screw gently, but firmly



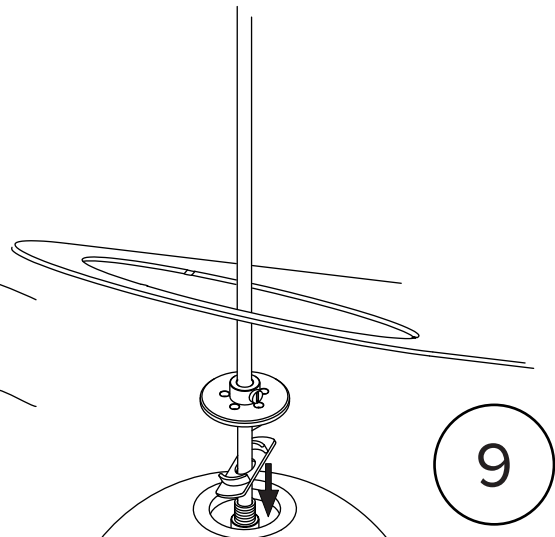
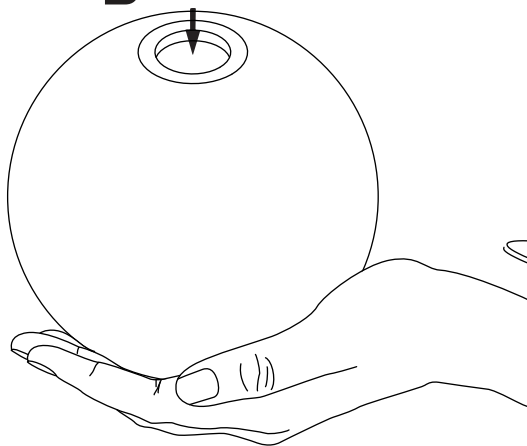
7



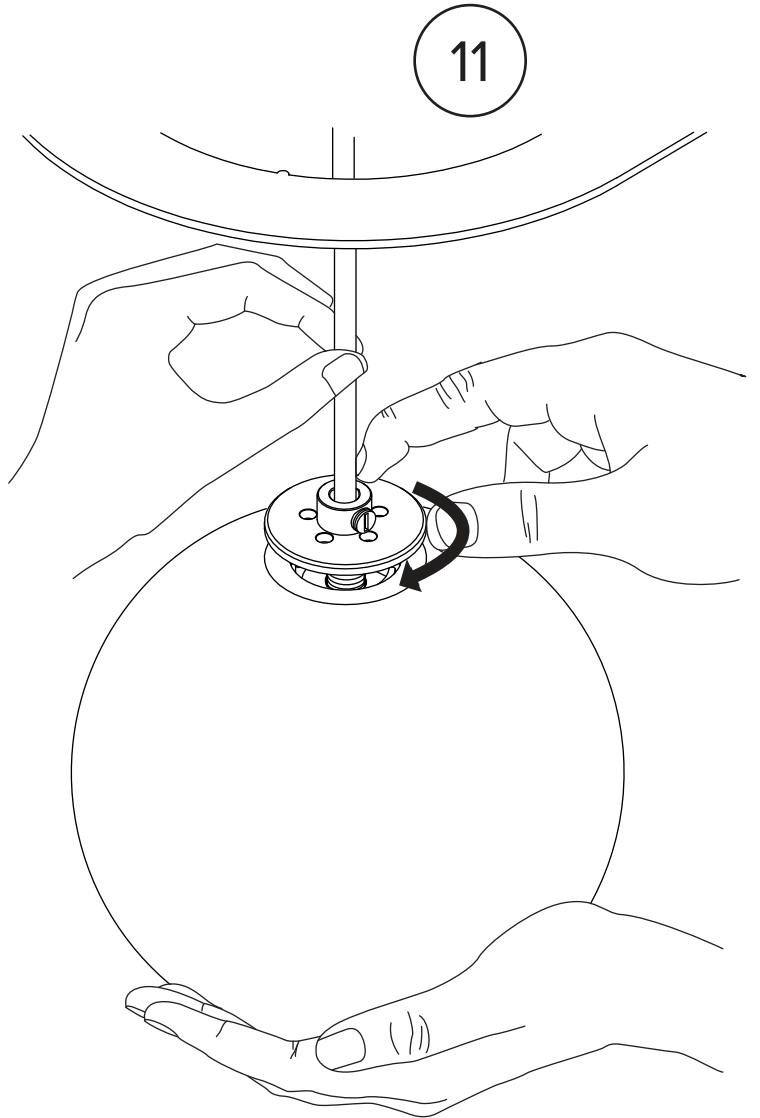
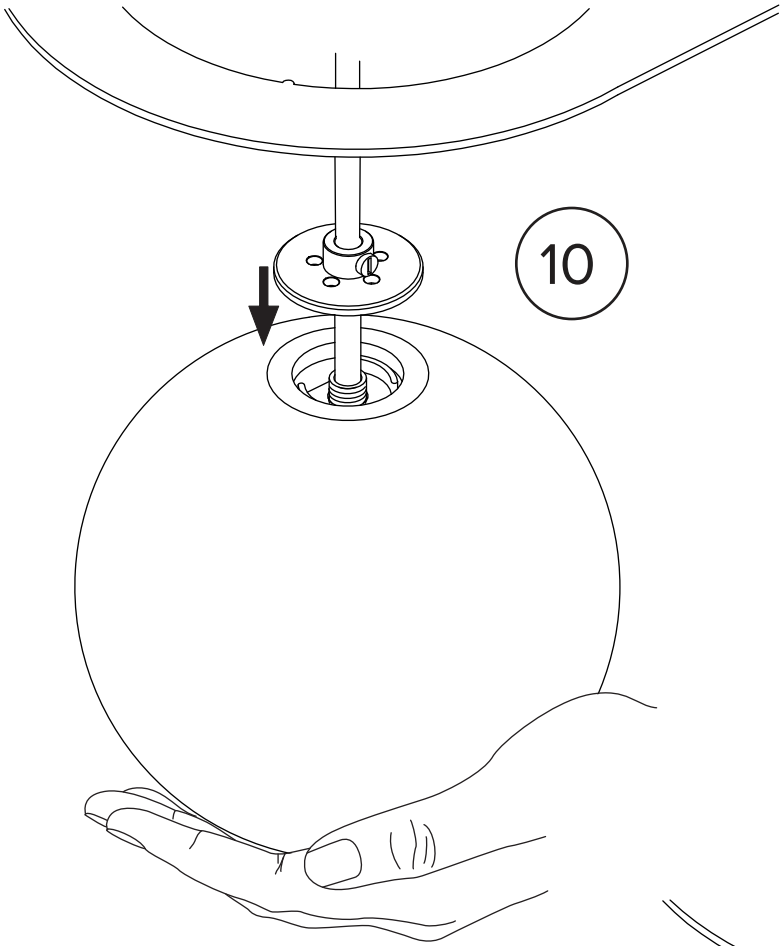
A

B

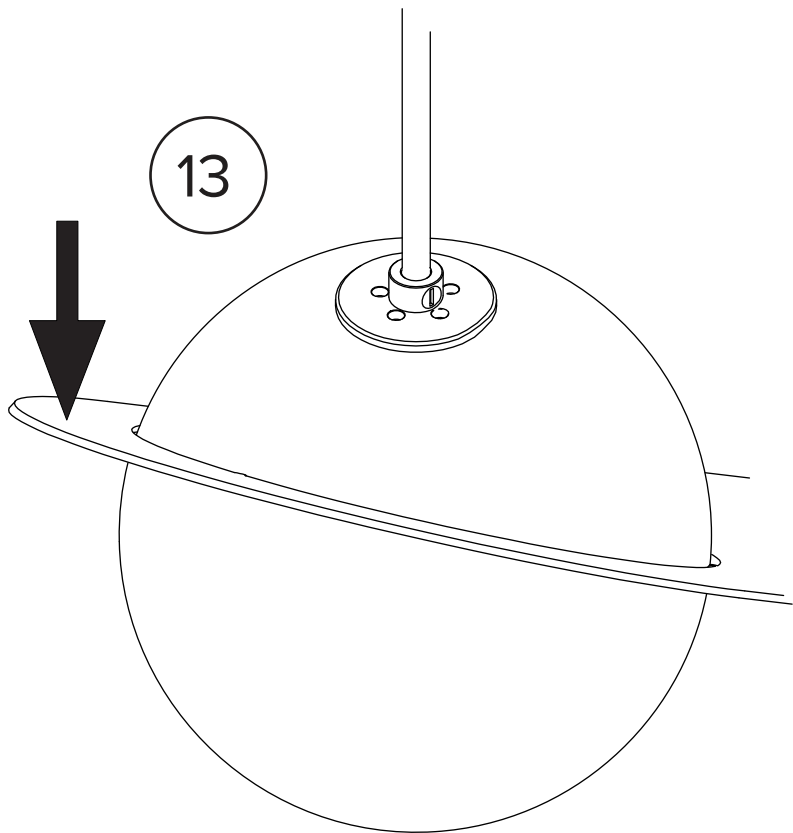
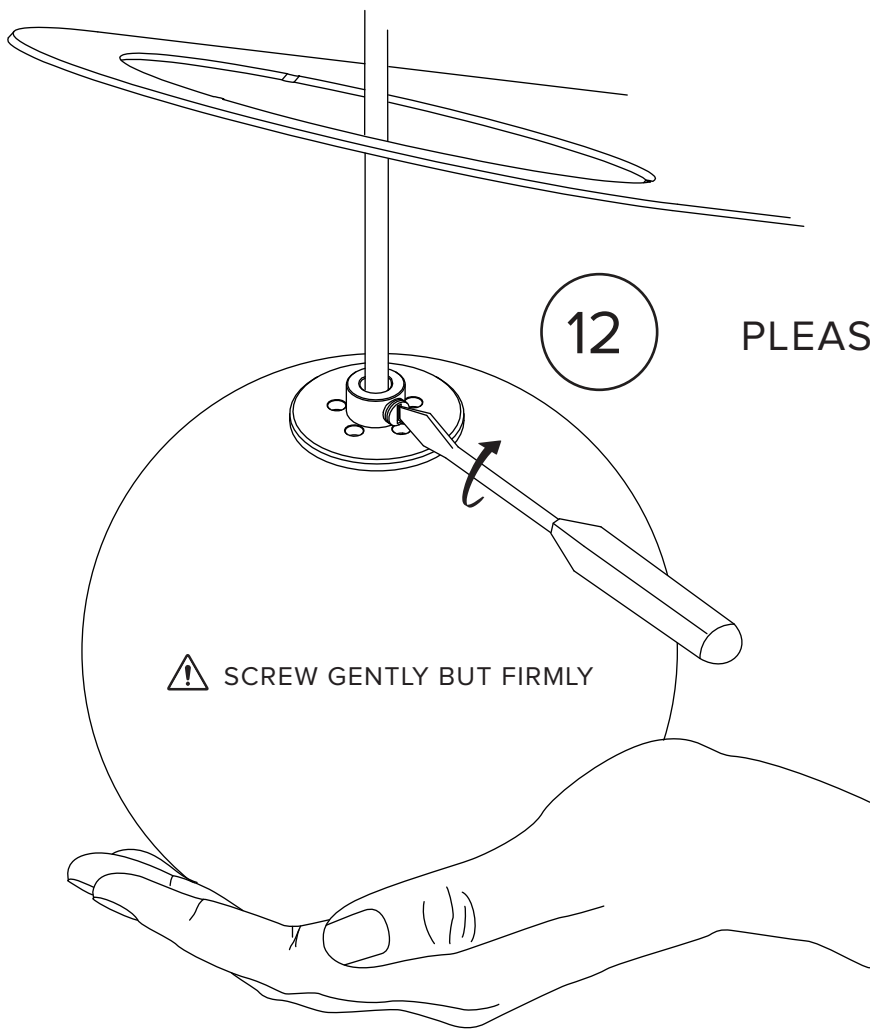
8



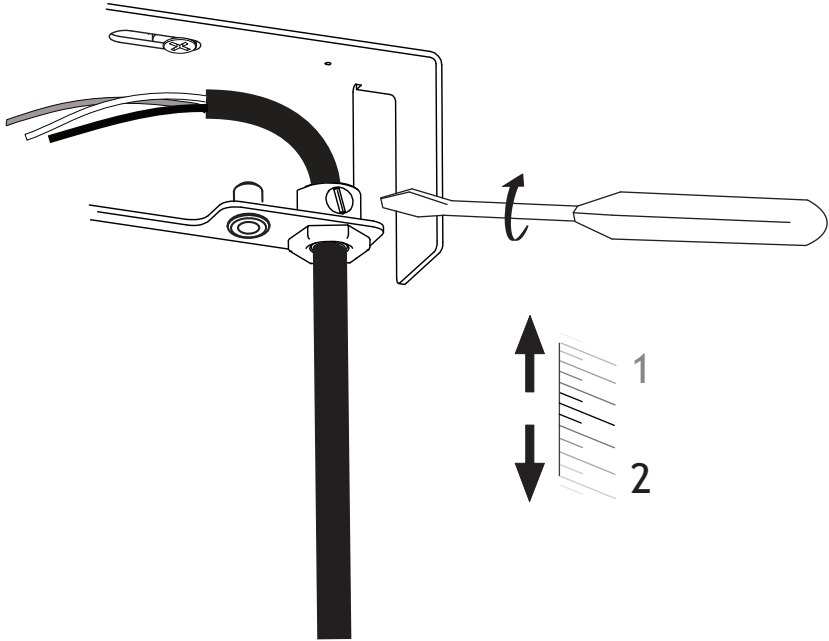
9



* To ensure safety,
PLEASE FOLLOW THESE STEPS
CAREFULLY

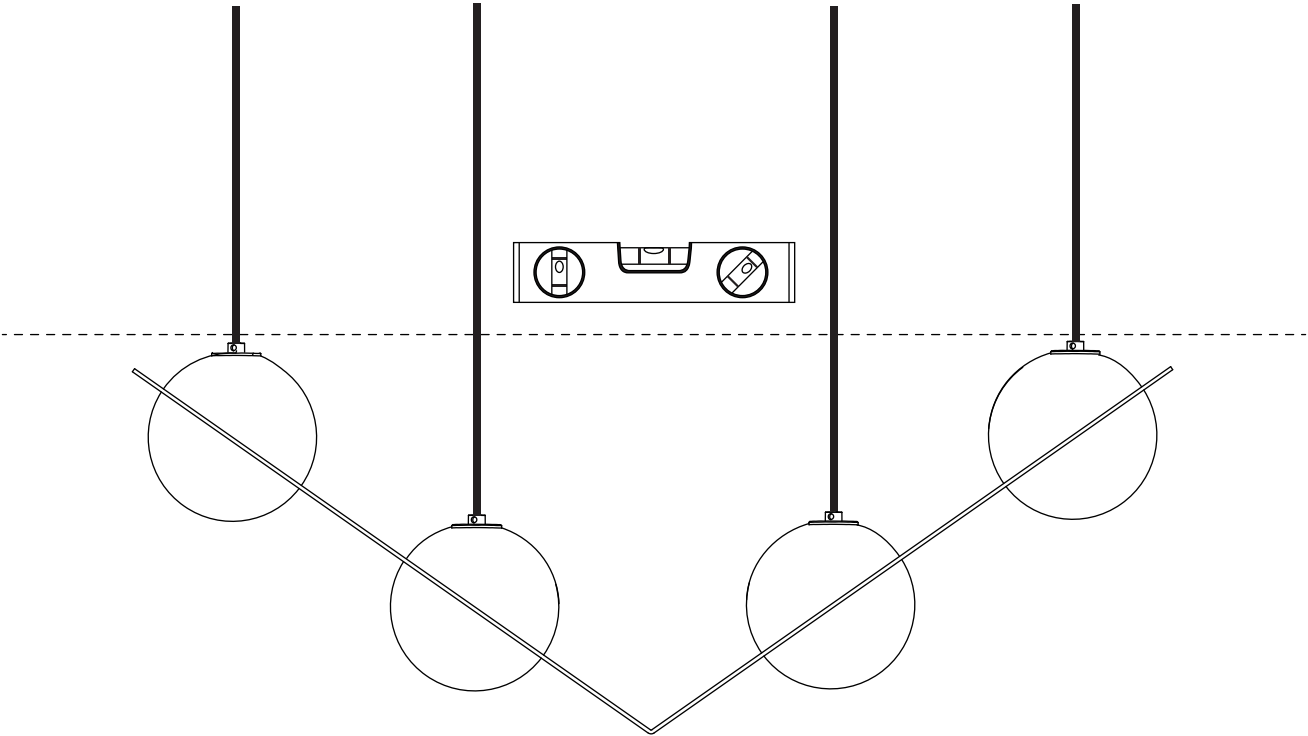
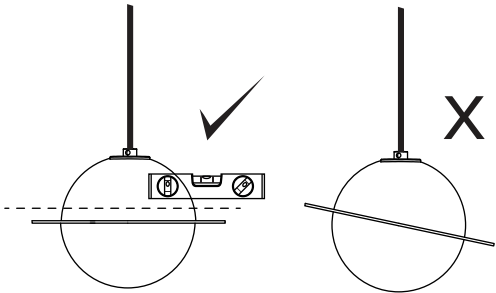
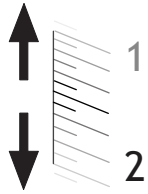


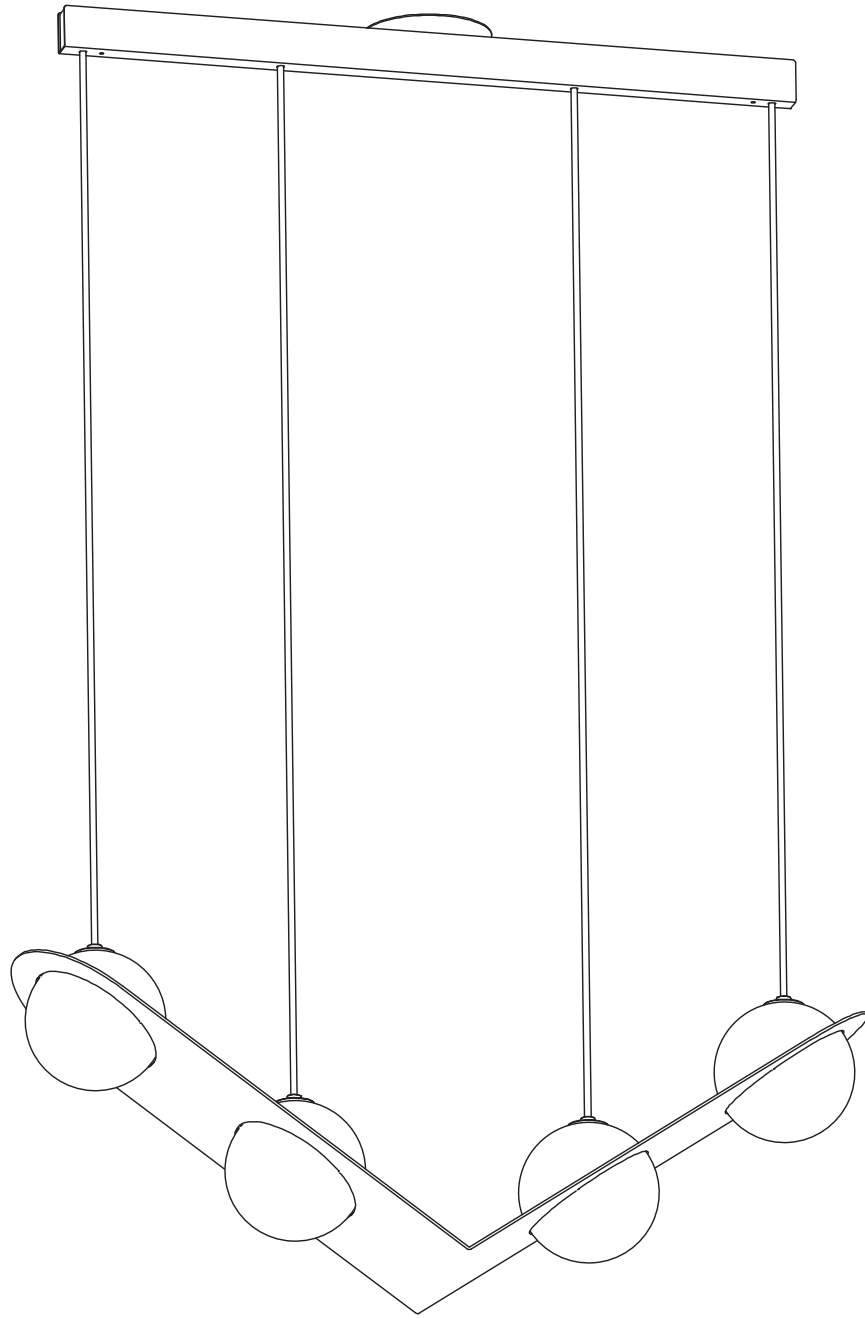
14



Make sure the globes are level by micro-adjusting the wire lengths.

SCREW GENTLY BUT FIRMLY





lambert&fils